



Safety Information

Printed Matter No. 8956002235

Date: 2023-03 Issue No. 02

FLEXIBLE HEAD CUT-OFF TOOL

Valid from Serial No. A00001 to Z99999

Model:

RC7199



	⚠ WARNING
	<p>To reduce risk of injury, everyone using, installing, repairing, maintaining, changing accessories on, or working near this tool MUST read and understand these instructions before performing any such task.</p> <p>DO NOT DISCARD - GIVE TO USER</p>

Schema 1

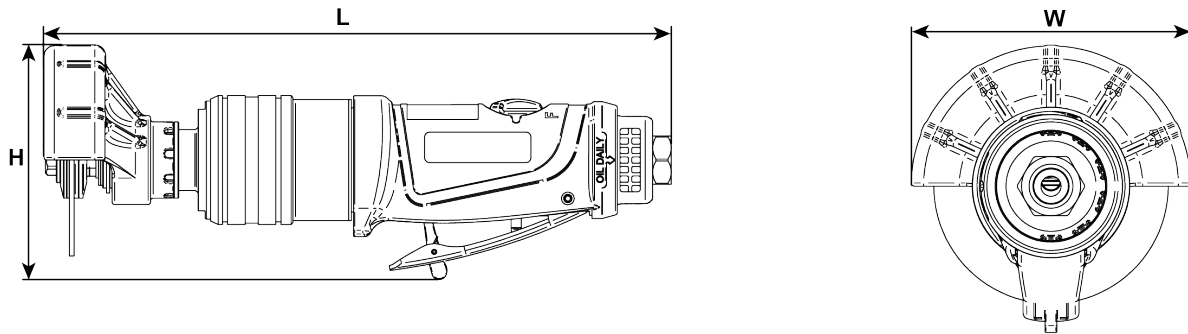
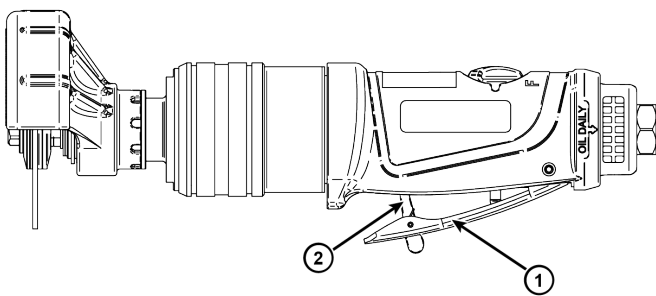


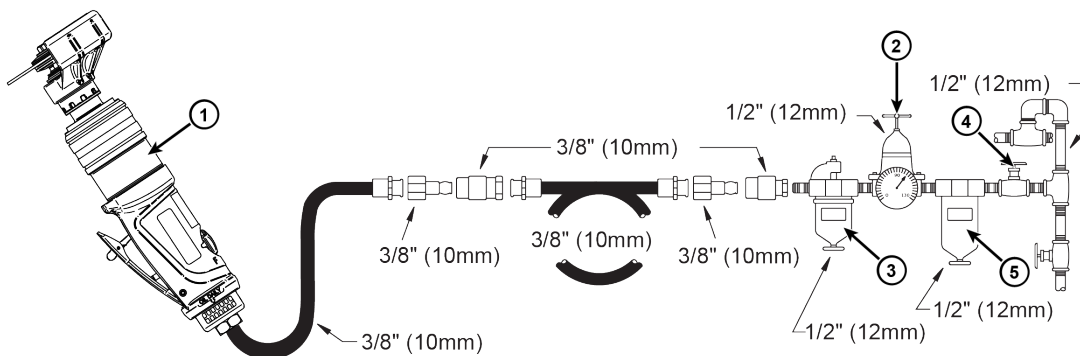
Table 1

Description	RC7199
Spindle Thread (inch)	3/8
Disc (inch)	3
Power (w)	440
Free Speed (rpm)	16000
Weight (kg)	1.3
Inner Hose Diameter (mm)	10
Length (mm)	248
Width (mm)	90
Height (mm)	92
Air Inlet (inch) [BSP]	1/4
Air Consumption [actual] (l/s)	9.37
Air Consumption [free speed] (l/s)	11.1
Air Consumption [average] (l/s)	3.33
Max. Air Pressure (bar)	6.3

Schema 2



Schema 3



1) Cut-Off Tool

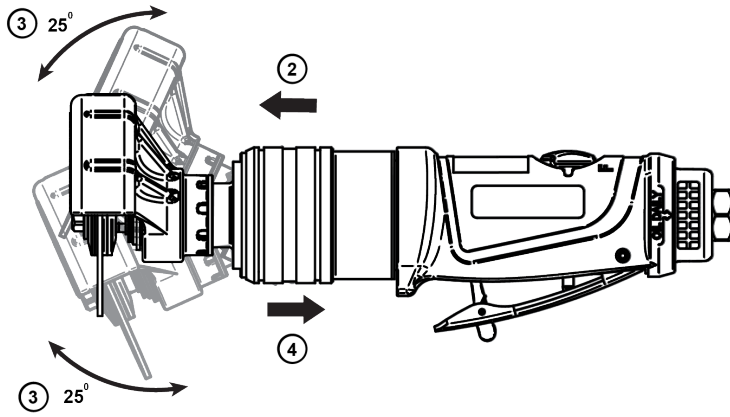
2) Pressure Regulator

3) Lubricator

4) Shut-Off Valve

5) Air Filter

Schema 4



Schema 5

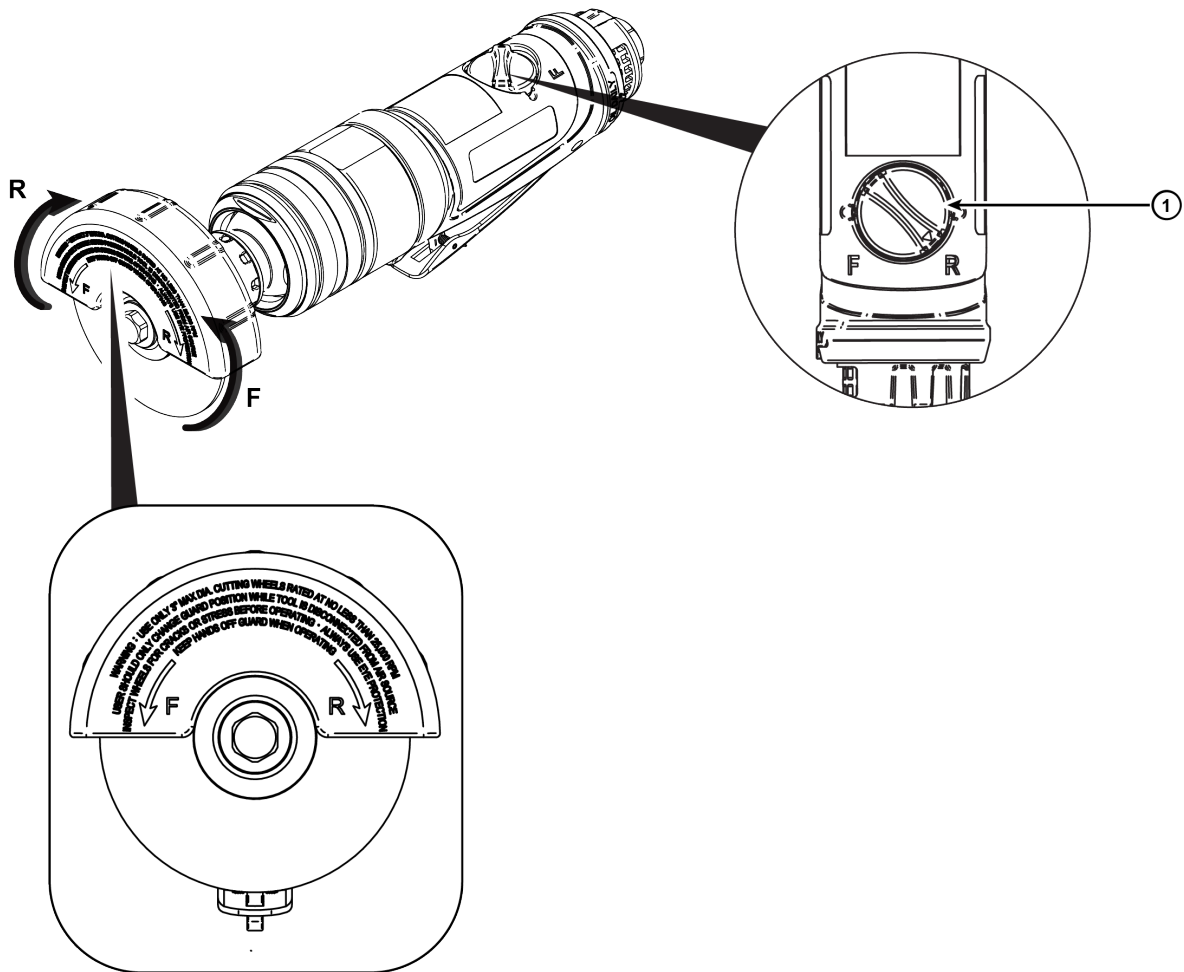


Table of Contents

EN	Safety Information.....	5
FR	Informations concernant la sécurité	9
DE	Sicherheitshinweise.....	13
ES	Información sobre seguridad.....	17
PT	Informação de Segurança.....	22
IT	Informazioni sulla sicurezza.....	26
NL	Veiligheidsinformatie.....	30
DA	Sikkerhedsoplysninger	34
NO	Sikkerhetsinformasjon.....	38
FI	Turvallisuustiedot.....	41
EL	Πληροφορίες για την ασφάλεια	45
SV	Säkerhetsinformation	50
RU	Информация по технике безопасности	54
PL	Informacje dotyczące bezpieczeństwa	59
SK	Bezpečnostné informácie	63
CS	Bezpečnostní informace	67
HU	Biztonsággal kapcsolatos tudnivalók	71
SL	Varnostne informacije.....	75
RO	Informații privind siguranța	79
TR	Güvenlik bilgileri	83
BG	Информация за безопасност.....	87
HR	Sigurnosne informacije	92
LT	Saugos informacija.....	95
LV	Drošības informācija	99
ZH	安全信息.....	103
JA	安全情報.....	106
KO	안전 정보.....	110

Declarations

EU Declaration of Conformity

We, **Desoutter GmbH**, Edmund-Seng-Str. 3-5, 63477 Maintal, Germany, declare under our sole responsibility that the product (with name, type, and serial number, see the front page) is in conformity with the following Directive (s):

2006/42/EC (17/05/2006)

Harmonized standards applied:
EN ISO 11148-7 :2012


Authorities can request relevant technical information from:

Pascal Roussy, R&D Manager, Ets Georges Renault, 38 rue Bobby Sands, BP10273 44818

Saint Herblain, France

Saint-Herblain, 2023/01/09

Pascal ROUSSY

Signature




UK Declaration of Conformity

We, **Desoutter GmbH**, Edmund-Seng-Str. 3-5, 63477 Maintal, Germany, declare under our sole responsibility that the product (with name, type and serial number, see front page) is in conformity with the following UK Regulation(s):

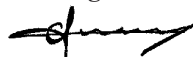
Supply of Machinery (Safety) Regulations 2008

Designated Standards applied:

EN ISO 11148-7:2012

Saint-Herblain, 2023/01/09

Pascal ROUSSY

Signature




Authorities can request relevant technical information from:

UK Authorized Representative:

Air Compressors & Tools Ltd

Unit 5 Westway 21

Chesford Grange, Woolston,

Warrington, WA1 4SZ

UK

Contact: M.Taylor

Noise and Vibration Declaration Statement

- Sound pressure level 90 dB(A) , uncertainty 3 dB(A), in accordance with EN ISO 15744.
- Sound power level 101 dB(A) , uncertainty 3 dB(A), in accordance with EN ISO 15744.
- Vibration total value 4.33 m/s², uncertainty 1.1 m/s², in accordance with ISO-28927-4.

These declared values were obtained by laboratory-type testing in accordance with the stated standards and are suitable for comparison with the declared values of other tools tested in accordance with the same standards. The vibration emission level may be used for a preliminary assessment of exposure. These declared values are not adequate for use in risk assessments and values measured in individual workplaces

maybe higher. The actual exposure values and risk of harm experienced by an individual user are unique and depend upon the way the user works, the workpiece, and the workstation design, as well upon the exposure time and the physical condition of the user.

We, **Desoutter GmbH**, cannot be held liable for the consequences of using the declared values, instead of values reflecting the actual exposure, in an individual risk assessment happening in a workplace situation a workplace situation over which we have no control.

This tool may cause hand-arm vibration syndrome if its use is not adequately managed. An EU guide to managing hand-arm vibration can be found by accessing <http://www.pneuop.eu/index.php> and selecting 'Tools' and then 'Legislation'.

We recommend a programme of health surveillance to detect early symptoms which may relate to noise or vibration exposure, so that the management procedures can be modified to help prevent future impairment.

- ⓘ If this equipment is intended for fixtured applications: The noise emission is given as a guide to the machine-builder. Noise and vibration emission data for the complete machine should be given in the instruction manual for the machine.

Information regarding Article 33 in REACH

The European Regulation (EU) No. 1907/2006 on Registration, Evaluation, Authorization, and restriction of Chemicals (REACH) defines among other things requirements related to communication in the supply chain. The information requirement applies also to products containing so-called Substances of Very High Concern (the "Candidate List"). On 27 June 2018 lead metal (CAS nr 7439-92-1) was added to the Candidate List.

In accordance with the above, this is to inform you that certain mechanical components in the product may contain lead metal. This is in compliance with the current substance restriction legislation and based on legit exemptions in the RoHS Directive (2011/65/EU). Lead metal will not leak or mutate from the product during normal use and the concentration of lead metal in the complete product is well below the applicable threshold limit. Please consider local requirements on the disposal of lead at product end of life.

Regional Requirements

⚠ WARNING

This product can expose you to chemicals including lead, which is known to the State of California to cause cancer and birth defects or other reproductive harm. For more information go to

<https://www.p65warnings.ca.gov/>

Safety

DO NOT DISCARD - GIVE TO USER

⚠ WARNING Read all safety warnings, instructions, illustrations and specifications provided with this power tool.

Failure to follow all instructions listed below may result in electric shock, fire, and/or serious injury.

Save all warnings and instructions for future reference.

⚠ WARNING All locally legislated safety rules regarding installation, operation and maintenance shall be respected at all times.

Statement of Use

- For professional use only.
- This product and its accessories must not be modified in any way.
- Do not use this product if it has been damaged.
- If the product data or hazard warning signs on the product cease to be legible or become detached, replace without delay.
- The product must only be installed, operated and serviced by qualified personnel in an industrial environment.

Intended Use

This product is designed for removing material using abrasives. No other use permitted.

Product Specific Instructions

Operation

Air Supply Requirements

1. Supply clean, dry air with maximum pressure 90 psi (6.3 bar) to the tool. Higher pressure drastically reduces tool life.
2. Connect the tool to air line using pipe, hose, and fitting sizes shown in the *schema 3*.

Installation / Operation

1. Loosen the safety screw, install the cutting disc between two flanges, tighten the safety screw, make sure the cutting disc fixed properly to the tool.
2. Connect the tool as shown in *schema 3*.
3. To start the tool, pull the safety lever (2) and push the throttle lever (1). Increase the machine speed by increasing pressure on the throttle lever (1). *Refer schema 2*.
4. Release the throttle lever (1) to stop the tool. *Refer schema 1*.

Turning Head Position

Refer Schema 4

1. Stop the tool.
2. Push forward the lock sleeve (2).
3. Change the position of the tool head up or down (3), or back to normal position. *Refer Schema 1*.

4. Release the lock sleeve (4). The lock sleeve comes back to its original position. *Refer Schema 1*

⚠ WARNING

- ▶ Do not start the tool, if the tool head is not locked.
- ▶ Avoid fingers injury by keeping your fingers off the mechanisms when operating the flex head.
- ▶ Make sure to hold onto the mechanism edge each time the flex head is adjusted. Fingers caught by the mechanism may occur without paying attention.

Changing the Direction of Rotation

Refer Schema 5

1. Stop the tool.
2. Turn the knob (1) to 'F' or 'R' for forward and reverse rotation respectively.
3. Start the tool again.

After the work is finished

⚠ WARNING The stopping time may be longer than 5 seconds.

- ▶ Make sure that the tool is switched off and has come to a complete stop before it is laid down.
- ▶ The stopping time is dependent on the abrasive used.

Put down the tool carefully to ensure that the tool will not start by itself/on its own.

Service and Maintenance

Lubrication

Use an air line lubricator with SAE #10 oil, adjusted to two (2) drops per minute.

Maintenance instructions

- Follow environmental regulations of the local country for safe handling and disposal of all components.
- Maintenance and repair work must be carried out by qualified personnel by using only original spare parts. Contact the manufacturer or your nearest authorised dealer for advice on technical service or if you require spare parts.
- Always ensure that the machine is disconnected from energy source to avoid accidental operation.
- Disassemble and inspect the tool every three 3 months if the tool is used every day. Replace damaged or worn parts.
- To keep downtime to a minimum, the following service kit is recommended: **Tune-up kit**

Disposal

- The legislation of the respective country must be followed for the disposal of this equipment.
- All damaged, badly worn or improperly functioning devices **MUST BE TAKEN OUT OF OPERATION**.

General safety instructions

i Additional safety information regarding portable air tools:

- CAGI 2528 - B186.1, SAFETY CODE FOR PORTABLE AIR TOOLS, available from Global Engineering Documents at <https://global.ihs.com/> or call +1 800 447-2273. In case of difficulty in obtaining ANSI standards, contact ANSI via <https://www.ansi.org/>

Air supply and connection hazards

- Air under pressure can cause severe injury.
- Always shut off air supply, drain the hose of air pressure and disconnect the tool from air supply when not in use, before changing accessories or when making repairs.
- Never direct air at yourself or anyone else.
- Whipping hoses can cause severe injury. Always check for damaged or loose hoses and fittings.
- Do not use quick disconnect couplings at tool. See instructions for correct set up.
- Whenever universal twist couplings are used, lock pins must be installed.
- Do not exceed maximum air pressure of 6.3 bar / 90 psig, or as stated on tool nameplate.

Wheel guard usage

- Always use the recommended wheel guard to reduce the risk of injury from broken grinding wheel parts.
- If a guard has withstood a wheel breakage do not continue to use it. It may be damaged.
- Position the guard between the grinding wheel and the operator.
- Use barriers to protect others from wheel fragments and grinding sparks.

Entanglement hazards

- Stay away from rotating drive spindle and abrasive. Rotation may continue for several seconds after the throttle has been released. Do not lay the tool down until rotation has stopped.
- Choking, scalping and / or lacerations can occur if loose clothing, gloves, jewellery, neck wear and hair are not kept away from tool and accessories.

Projectile hazards

- Failure of the accessory, abrasive or workpiece can generate high-velocity projectiles. Grinding sparks and even small projectiles can injure eyes and cause blindness.
- Always wear impact-resistant eye and face protection during operation, repair or maintenance of the tool or while changing accessories on the tool.
- Ensure that everyone in the area are wearing impact-resistant eye and face protection.
- A grinding wheel that bursts can cause very serious injury or death.
- Measure the air grinder speed daily with a tachometer to make sure that it is not greater than the RPM marked on the grinding wheel.

- Never use a grinding wheel marked with a lower speed than that of the air grinder.
- With the help of the tools provided ensure that the abrasive is securely clamped to the grinder. Flanges must be free from burrs and cracks and have flat clamping surfaces. Spindles and spindle threads must not be damaged or worn.
- Ensure that the workpiece is securely fixed.

Accessory hazards

- Always turn off air supply, relieve the hose of air pressure and disconnect the tool from air supply when changing accessories.
- Use only recommended sizes and types of abrasives.
- Do not use chipped or cracked wheels, or wheels which may have been dropped.
- Mounting the grinding wheel correctly is necessary to prevent injury from broken wheels.
- Avoid mismatch between UNC and metric threads.
- Grinding wheels should be a free fit on the spindle to prevent stress at the hole. Do not use reducing bushes to fit large hole grinding wheels.
- Use only the flanges that come with the grinder for mounting the grinding wheel. Flat washers or other adapters may over stress the wheel. Always use heavy paper blotter discs between the flanges and the grinding wheel.
- If several flanges are supplied to fit different sizes and types of abrasive, always fit the correct flange(s) for the abrasive that is being used.
- When mounting cups, cones or plugs with threaded holes, the spindle end must not touch the bottom of the hole as it will stress the abrasive.
- Tighten the wheel on the spindle to prevent spin off when the air grinder is turned off.
- Test the grinding wheel before grinding by running the tool at full throttle. Be sure to use a barrier (such as under a heavy work table) to stop any possible broken wheel parts. Stop immediately if vibration is excessive.

Operating hazards

- Operators and maintenance personnel must be able to physically handle the bulk, weight and power of the tool.
- Hold the tool correctly: be ready to counteract normal or sudden movements – keep both the hands free.
- You may be cut or burned if you come in contact with the accessory, grinding sparks or the work surface. Avoid such contact and wear protective equipment such as gloves, apron and helmet.
- Avoid wheel jamming when cutting-off. Support the workpiece on both sides of the cut line to prevent the wheel from getting trapped. If jamming occurs, release the throttle and free the wheel free. Check that the wheel is undamaged and properly secured before continuing.
- Never use cutting-off wheels for side grinding.
- Grinding sparks can set clothing and cause severe burns. Ensure that the sparks do not land on clothing. Wear fire-retardant clothing and have a bucket of water nearby.

- There is a risk of electrostatic discharge if the tool is used on plastic and other non-conductive materials.
- It causes sparks to be ejected in opposite direction when change the direction of rotation.
- It causes an opposite reaction force to the operator when change the direction of rotation.

Repetitive motion hazards

- When using a power tool to perform work-related activities, the operator might experience discomfort in the hands, arms, shoulders, neck, or other parts of the body.
- Adopt a comfortable posture whilst maintaining secure footing and avoiding awkward or off-balance postures. Changing posture during extended tasks can help to avoid discomfort and fatigue.
- Do not ignore symptoms such as persistent or recurring discomfort, pain, throbbing, aching, tingling, numbness, burning sensation, or stiffness. Stop using the tool, tell your employer and consult a physician.

Noise and Vibration hazards

- High sound levels can cause permanent hearing loss and other problems such as tinnitus. Use hearing protection as recommended by your employer or occupational health and safety regulations.
- Exposure to vibration can cause disabling damage to the nerves and blood supply of the hands and arms. Wear warm clothing and keep your hands warm and dry. If numbness, tingling, pain or whitening of the skin occurs, stop using the tool, tell your employer and consult a physician.
- Hold the tool in a light but safe grip because the risk from vibration is generally greater when the grip force is higher. Wherever possible support the weight of the tool with a balancer.
- To prevent unnecessary increase in noise and vibration levels:
 - Operate and maintain the tool, and select, maintain and replace the accessories and consumables, in accordance with this instruction manual;
 - Use damping materials to prevent workpiece from “ringing.”

Workplace hazards

- Slipping/Tripping/Falling is a major cause of serious injury or death. Be aware of excess hose left on the walking or work surfaces.
- Avoid inhaling dust or fumes or handling debris from the work process which can cause ill health (for example, cancer, birth defects, asthma and/or dermatitis). Use dust extraction and wear respiratory protective equipment when working with materials which produce airborne particles.
- Some dust created by power sanding, sawing, grinding, drilling and other construction activities contains chemicals known to the State of California to cause cancer and birth defects or other reproductive harm. Some examples of these chemicals are:
 - Lead from lead based paints

- Crystalline silica bricks and cement and other masonry products
- Arsenic and chromium from chemically-treated rubber

Your risk from these exposures varies, depending on how often you do this type of work. To reduce your exposure to these chemicals: work in a well ventilated area, and work with approved safety equipment, such as dust masks that are specially designed to filter out microscopic particles.

- Proceed with care in unfamiliar surroundings. Hidden hazards such as electricity or other utility lines may exist.
- Potentially explosive atmospheres can be caused by dust and fumes resulting from sanding or grinding. Always use dust extraction or suppression systems which are suitable for the material being processed.
- This tool is not intended for use in potentially explosive atmospheres and is not insulated from coming into contact with electric power.

Useful Information

Country of origin

Taiwan

Website

Information concerning our Products, Accessories, Spare Parts and Published Matters can be found on the Rodcraft website.

Please visit: www.rodcraft.com.

Safety Data Sheet

The Safety Data Sheets describe the chemical products sold by Rodcraft.

Please consult the Rodcraft website for more information qr.cp.com/sds.

Copyright

© Copyright 2023, Desoutter GmbH, Edmund-Seng-Str. 3-5, 63477 Maintal, Germany

All rights reserved. Any unauthorized use or copying of the contents or part thereof is prohibited. This applies in particular to trademarks, model denominations, part numbers, and drawings. Use only authorized parts. Any damage or malfunction caused by the use of unauthorised parts is not covered by Warranty or Product Liability.

Déclarations

Déclaration de conformité UE

Nous, **Desoutter GmbH**, Edmund-Seng-Str. 3-5, 63477 Maintal, Germany, déclarons sous notre seule et entière responsabilité que le produit (dont le nom, le type et le numéro de série figurent en première page) est en conformité avec la ou les directives suivantes :

2006/42/EC (17/05/2006)

Normes harmonisées appliquées :

EN ISO 11148-7 :2012

Les autorités peuvent obtenir les informations techniques pertinentes en s'adressant à :
Pascal Roussy, R&D Manager, Ets Georges Renault, 38 rue Bobby Sands, BP10273 44818 Saint Herblain, France

Saint-Herblain, 2023/01/09

Pascal ROUSSY



Signature

Déclaration relative au bruit et aux vibrations

- Niveau de pression acoustique 90 dB(A), incertitude 3 dB(A), en conformité avec EN ISO 15744.
- Niveau de puissance acoustique 101 dB(A), incertitude 3 dB(A), en conformité avec EN ISO 15744.
- Valeur de la vibration totale 4.33 m/s², incertitude 1.1 m/s², conformément à ISO-28927-4.

Les valeurs déclarées ont été obtenues par le biais d'essais de type effectués en laboratoire, conformément aux normes mentionnées, et peuvent être comparées avec les valeurs déclarées des autres outils testés dans le cadre de ces mêmes normes. Le niveau d'émission de vibrations peut être utilisé pour une évaluation préliminaire de l'exposition. Ces valeurs déclarées ne peuvent pas être utilisées pour l'évaluation des risques et les valeurs mesurées sur des lieux de travail individuels peuvent être supérieures. Les valeurs réelles d'exposition et le risque de préjudice subi par un utilisateur individuel sont uniques et dépendent de la façon dont cet utilisateur travaille, de la pièce sur laquelle il travaille et de la conception du poste de travail, ainsi que du temps d'exposition et de l'état de santé physique de l'utilisateur.

Notre société, **Desoutter GmbH**, ne peut en aucun cas être tenue responsable des conséquences de l'utilisation des valeurs déclarées à la place des valeurs reflétant l'exposition réelle dans l'évaluation des risques individuels dans un lieu de travail sur lequel nous n'avons aucun contrôle.

Cet outil peut provoquer un syndrome des vibrations mains-bras s'il n'est pas utilisé correctement. Un guide européen de gestion des vibrations main-bras est disponible sur le site <http://www.pneurop.eu/index.php> en sélectionnant « Tools » puis « Legislation ».

Nous recommandons la mise en place d'un programme de surveillance médicale afin de détecter les premiers symptômes qui pourraient être dus à une exposition aux vibrations ; les procédures de gestion pourraient alors être modifiées pour éviter une future déficience.

- i** Si ce matériel est destiné aux applications embarquées : Le niveau sonore est donné à titre indicatif à l'intention du constructeur de machines. Les données de niveau sonore et de vibrations pour la machine complète devront figurer dans le manuel d'utilisation de cette dernière.

Informations concernant l'article 33 de REACH

Le règlement européen (UE) n° 1907/2006 sur l'enregistrement, l'évaluation et l'autorisation des substances chimiques, ainsi que les restrictions applicables à ces substances (REACH) définit entre autres les exigences relatives à la communication dans la chaîne d'approvisionnement. L'obligation d'information s'applique également aux produits contenant des substances dites extrêmement préoccupantes (la « Liste des substances candidates »). Le 27 juin 2018, le plomb (n° CAS 7439921) a été ajouté à la Liste des substances candidates.

Conformément à ce qui précède, ceci est pour vous informer que certains composants mécaniques du produit peuvent contenir du plomb. Ceci est conforme à la législation en vigueur en matière de restriction des substances et se fonde sur les exemptions légales prévues par la directive RoHS (2011/65/UE). Le plomb ne fuira pas ou ne mutera pas du produit lors d'une utilisation normale et la concentration de plomb dans le produit complet est bien en dessous du seuil limite applicable. Veuillez tenir compte des exigences locales concernant l'élimination du plomb en fin de vie du produit.

Spécificités régionales

⚠ AVERTISSEMENT

Ce produit peut vous exposer à des produits chimiques comme le plomb qui est reconnu par l'État de Californie comme cancérigène et causant des malformations congénitales ou autres anomalies de la reproduction. Pour de plus amples informations

<https://www.p65warnings.ca.gov/>

Sécurité

NE PAS JETER - REMETTRE À L'UTILISATEUR

- ⚠ AVERTISSEMENT Lire l'ensemble des mises en garde et consignes de sécurité ainsi que les illustrations et les caractéristiques techniques fournies avec cet outil électrique.**

Le non-respect de toutes les instructions répertoriées ci-dessous peut entraîner un choc électrique, un incendie et/ou un grave accident corporel.

Conserver l'ensemble des mises en garde et consignes pour pouvoir les consulter ultérieurement.

- ⚠ AVERTISSEMENT Toutes les réglementations locales de sécurité en matière d'installation, d'utilisation et de réparation doivent toujours être respectées.**

Utilisation prévue

- Pour utilisation professionnelle uniquement.

- Ce produit et ses accessoires ne doivent être modifiés en aucune manière.
- Ne pas utiliser ce produit s'il a subi des dégâts.
- Si les vignettes apposées sur le produit pour indiquer les données du produit ou des mises en garde ne sont plus lisibles ou se décollent, les remplacer sans attendre.
- Le produit ne doit être installé que par un personnel qualifié, dans un environnement industriel.

Utilisation prévue

Ce produit est conçu pour effectuer un enlèvement de matière au moyen d'abrasifs. Aucune autre utilisation n'est autorisée.

Instructions spécifiques au produit

Fonctionnement

Exigences en termes d'alimentation en air

1. Alimenter l'outil en air propre et sec à une pression maximale de 6,3 bars (90 psi). Une pression plus élevée réduit considérablement la durée de vie des outils.
2. Raccordez l'outil à la conduite d'air en utilisant des tuyaux, des flexibles et des raccords dont les dimensions sont affichées sur le *schéma n° 3*.

Installation / Fonctionnement

1. Desserrez la vis de sécurité, installez le disque à découper entre deux brides, serrez la vis de sécurité, veillez à ce que le disque à découper soit correctement fixé à l'outil.
2. Raccordez l'outil comme indiqué dans le *schéma n° 3*.
3. Pour démarrer l'outil, tirez le levier de sécurité (2) et poussez le levier d'accélération (1). Augmentez la vitesse de la machine en augmentant la pression sur le levier de commande (1). *Consultez le schéma n° 2*.
4. Relâcher le levier d'accélération (1) pour arrêter l'outil. *Consultez le schéma n° 1*.

Tourner la position de la tête

Consultez le schéma n° 4

1. Arrêtez l'outil.
2. Poussez le manchon de blocage vers l'avant (2).
3. Modifiez la position de la tête de l'outil vers le haut ou vers le bas (3) ou de retour à la position normale. *Consultez le schéma n° 1*.
4. Relâchez le manchon de blocage (4). Le manchon de blocage revient à sa position initiale. *Consultez le schéma n° 1*

⚠ AVERTISSEMENT

- ▶ Ne mettez pas l'outil en marche si la tête de l'outil n'est pas verrouillée.
- ▶ Évitez les lésions aux doigts en gardant vos doigts à l'écart des mécanismes lorsque vous utilisez la tête flexible.
- ▶ Veillez à maintenir le bord du mécanisme à chaque réglage de la tête flexible. Les doigts peuvent être happés par le mécanisme sans que l'on y prête attention.

Changer le sens de rotation

Consultez le schéma n° 5

1. Arrêtez l'outil.
2. Tournez le bouton (1) sur 'F' ou 'R' pour la rotation avant et arrière.
3. Redémarrez l'outil.

Lorsque le travail est terminé

⚠ AVERTISSEMENT Le temps avant l'arrêt peut durer plus de 5 secondes.

- ▶ S'assurer que l'outil est éteint et s'est entièrement arrêté avant de le poser.
- ▶ Le temps d'arrêt complet dépende de l'abrasif utilisé.

Posez l'outil avec précaution pour vous assurer que l'outil ne démarre pas tout seul.

Entretien et maintenance

Lubrification

Utilisez un lubrificateur pneumatique avec de l'huile SAE #10, à un dosage de deux (2) gouttes par minute.

Consignes de maintenance

- **Suivez les réglementations environnementales du pays local pour une manipulation et une élimination sûres de tous les composants.**
- Les travaux de maintenance et de réparation doivent être effectués par un personnel qualifié à l'aide de pièces de rechange d'origine uniquement. Prendre contact avec le fabricant ou le revendeur agréé le plus proche pour obtenir des conseils techniques ou pour tout besoin de pièces de rechange.
- Veillez à toujours débrancher la machine de la source d'énergie pour éviter toute mise en fonctionnement accidentelle.
- Démontez et contrôlez l'outil tous les trois (3) mois si vous l'utilisez quotidiennement. Remplacez les pièces usées ou endommagées.
- Afin de limiter au strict minimum les périodes d'immobilisation, le kit d'entretien suivant est conseillé : **Kit de réglage**

Élimination

- La législation du pays concerné doit être respectée pour la mise au rebut de cet appareil.

- Tous les appareils endommagés, sévèrement usés ou ne fonctionnant pas correctement **DOIVENT ÊTRE MIS HORS SERVICE**.

Consignes générales de sécurité

i Informations de sécurité supplémentaires concernant les outils pneumatiques portables :

- CAGI 2528 - B186.1, CODE DE SÉCURITÉ POUR LES OUTILS PNEUMATIQUES PORTABLES, disponible auprès de Global Engineering Documents sur <https://global.ihs.com/> ou par téléphone au +1 800 447-2273. Si vous avez des problèmes à obtenir les normes ANSI, veuillez contacter ANSI à <https://www.ansi.org>.

Dangers liés à l'alimentation en air et aux branchements

- L'air sous pression peut provoquer de graves blessures.
- Toujours arrêter l'alimentation en air, évacuer l'air sous pression contenu dans les flexibles et débrancher l'outil du circuit d'alimentation en air lorsqu'il n'est pas utilisé, avant de changer d'accessoire ou avant d'effectuer des réparations.
- Ne jamais diriger le jet d'air vers soi ou vers quelqu'un d'autre.
- Le fouettement des tuyaux souples peut provoquer de graves blessures. Toujours vérifier que les tuyaux souples et les raccords ne sont ni endommagés ni desserrés.
- N'utilisez pas de raccord à débranchement rapide sur l'outil. Effectuer l'installation conformément aux instructions.
- Chaque fois que des raccords universels sont utilisés, il faut installer des goupilles de verrouillage.
- Ne pas dépasser la pression d'air maximale de 6,3 bars / 90 psi relatifs ou la pression indiquée sur la plaque signalétique de l'outil.

Utilisation du carter de protection

- Toujours utiliser le carter de protection recommandé afin de réduire le risque de blessures dues à des morceaux de meules cassées.
- Si un carter a subi un bris de meule, ne plus l'utiliser. Il a peut-être été endommagé.
- Positionner le carter de protection entre la meule et l'utilisateur.
- Utiliser des barrières pour protéger les autres des fragments de meule et des étincelles.

Risques de happement

- Rester à distance de la broche d'entraînement en rotation et de l'abrasif. La rotation peut continuer quelques secondes après que l'on a relâché la commande. Ne pas poser l'outil avant l'arrêt de la rotation.
- Il existe un risque d'étranglement, d'arrachement du cuir chevelu ou de lacerations si les vêtements amples, gants, bijoux, articles portés autour du cou et cheveux ne sont pas tenus à distance de l'outil et des accessoires.

Risques de projections

- Une rupture de l'accessoire, de l'abrasif ou de la pièce à usiner peut éjecter des projectiles à grande vitesse. Les étincelles de meulage et même de petits projectiles peuvent abîmer les yeux et provoquer une cécité.
- Toujours porter une protection des yeux et du visage résistante aux chocs pendant le fonctionnement, les réparations ou l'entretien de l'outil ou pour changer des accessoires.
- Veillez à ce que toutes les autres personnes à proximité de la zone de travail portent un équipement de protection des yeux et du visage résistant au choc
- Une meule qui se casse peut causer des blessures très graves voire mortelles.
- Mesurez la vitesse de la meuleuse pneumatique avec un tachymètre pour s'assurer qu'elle n'est pas supérieure à la vitesse (tr/min) indiquée sur la meule.
- N'utilisez jamais une meule marquée d'une vitesse inférieure à celle de la meuleuse pneumatique.
- À l'aide des outils fournis, assurez-vous que l'abrasif est bien serré sur la meuleuse. Les brides ne doivent présenter ni bavures ni fissures et doivent avoir des surfaces de serrage planes. Les broches et leurs filetages ne doivent pas être endommagés ni usés.
- S'assurer que la pièce à usiner est solidement fixée.

Risques liés à la manipulation des accessoires

- Toujours couper l'alimentation en air, dépressuriser le flexible et débrancher l'outil de l'alimentation en air lors du changement d'accessoire.
- Utiliser uniquement des abrasifs de la taille et du type recommandés.
- Ne pas utiliser de meules ébréchées ou fêlées, ni des meules qui seraient tombées.
- Le montage correct de la meule est nécessaire pour éviter les lésions dues à la casse de la meule.
- Éviter de mélanger les pas UNC et métriques.
- Les meules doivent s'adapter parfaitement sur la broche, ceci afin d'éviter toute contrainte au niveau du trou. Ne pas utiliser de douille de réduction pour adapter des meules à grand trou.
- Utiliser uniquement les flasques livrés avec la meuleuse pour monter la meule. Les rondelles plates ou autres adaptateurs peuvent créer des contraintes excessives sur la meule. Toujours utiliser des disques de papier buvard épais entre les flasques et la meule.
- Si plusieurs flasques sont fournis pour monter différents types et différentes tailles d'abrasifs, toujours utiliser le flasque adapté à l'abrasif utilisé.
- Lors du montage de meules boisseaux, coniques ou cylindriques avec des trous filetés, l'extrémité de la broche ne doit pas toucher le fond du trou : ceci ferait subir des contraintes à l'abrasif.
- Serrer la meule sur la broche afin d'éviter qu'elle ne se détache lorsque la meuleuse pneumatique est arrêtée.

- Testez la meule avant de meuler en faisant fonctionner l'outil à plein régime. Il est essentiel d'utiliser une barrière (par exemple sous une lourde table de travail) pour arrêter toute pièce de meule cassée. Arrêtez immédiatement en cas de vibrations excessives.

Risques pendant l'utilisation

- Les utilisateurs et le personnel d'entretien doivent être physiquement capable de manier l'outil qui peut être encombrant, lourd et puissant.
- Prise en main correcte de l'outil : se tenir prêt à contrecarrer des mouvements normaux ou brusques - garder les deux mains libres.
- Vous risquez de vous couper ou de vous brûler en cas de contact avec l'accessoire, les étincelles de meulage ou la surface de travail. Évitez tout contact et portez un équipement de protection tel que des gants, un tablier et un casque.
- Évitez de coincer le disque pendant le tronçonnage. Soutenez la pièce à usiner des deux côtés de la ligne de tronçonnage afin d'éviter le blocage du disque. En cas de blocage, relâchez la commande et dégagez le disque. Vérifiez que le disque est intact et correctement fixé avant de continuer.
- Ne jamais utiliser des disques à tronçonner pour meuler latéralement.
- Les étincelles de meulage peuvent enflammer les vêtements et provoquer de graves brûlures. Veillez à ce que les étincelles n'atteignent pas les vêtements. Portez des vêtements ignifugés et gardez un seau d'eau à proximité.
- Il existe un risque de décharge électrostatique lorsque l'outil est placé sur du plastique ou un autre matériau non conducteur.
- Cela provoque l'éjection d'étincelles dans la direction opposée lors d'un changement de sens de rotation.
- Cela provoque une force de réaction opposée à l'opérateur lorsqu'il change le sens de rotation.

Dangers liés aux mouvements répétitifs

- Lorsqu'il utilise un outil motorisé pour effectuer un travail, l'opérateur peut ressentir un inconfort au niveau des mains, des bras, des épaules, du cou ou d'autres parties du corps.
- Adopter une posture confortable tout en gardant de bons appuis et en évitant les mauvaises positions ou les positions déséquilibrées. Changer de posture pendant la réalisation de tâches prolongées peut contribuer à éviter l'inconfort et la fatigue.
- Ne pas ignorer les symptômes tels qu'un inconfort persistant ou récurrent, des douleurs, élancements, maux divers, fourmillements, engourdissements, une sensation de brûlure ou une raideur. Cesser d'utiliser l'outil, avertir l'employeur et consulter un médecin.

Dangers liés au bruit et aux vibrations

- Les niveaux sonores élevés peuvent provoquer une perte d'acuité auditive permanente ou d'autres problèmes tels que des acouphènes. Utiliser les protections auditives recommandées par l'employeur ou par la réglementation en matière d'hygiène et de sécurité au travail.

- L'exposition aux vibrations peut occasionner des lésions nerveuses handicapantes et empêcher le passage du sang aux mains et aux bras. Porter des vêtements chauds et garder les mains au chaud et au sec. Si des sensations d'engourdissement, de fourmillement, des douleurs ou une décoloration de la peau apparaissent, cesser immédiatement d'utiliser l'outil, avertir l'employeur et consulter un médecin.
- Tenir l'outil d'une main légère mais sûre : le risque des vibrations est en effet généralement plus grand lorsque l'on exerce une force de préhension plus importante. Dans la mesure du possible, supportez le poids de l'outil avec un équilibreur.
- Pour empêcher toute augmentation inutile du niveau sonore et des vibrations :
 - Utilisez et entretenez l'outil, sélectionnez, entretenez et remplacez les accessoires et les consommables, conformément à la présente notice d'utilisation ;
 - Utilisez des matériaux d'amortissement pour empêcher la pièce à usiner de « décrire des cercles ».

Dangers liés au lieu de travail

- Les glissades, trébuchements ou chutes sont une cause majeure d'accidents corporels graves voire mortels. Faites attention à l'excès de flexible laissé sur les surfaces de marche ou de travail.
- Éviter d'inhaler les poussières ou vapeurs ou de manipuler les débris provenant des travaux qui peuvent provoquer des maladies (par exemple cancer, problèmes respiratoires, asthme ou dermatite). Utiliser des équipements d'extraction des poussières et porter des équipements de protection respiratoire pour travailler avec des matériaux qui produisent des particules en suspension.
- Certaines poussières créées par ponçage mécanisé, sciage, meulage, perçage et autres travaux de construction contiennent des substances chimiques qui sont reconnues comme pouvant provoquer des cancers, des anomalies congénitales et autres problèmes de reproduction. Parmi ces substances chimiques, on trouve :
 - le plomb provenant des peintures au plomb ;
 - la silice cristalline présente dans les briques, le ciment et autres matériaux de maçonnerie ;
 - l'arsenic et le chrome provenant des caoutchoucs traités chimiquement.

Le risque lié à l'exposition à ces substances varie en fonction de la fréquence à laquelle on effectue ce type de travaux. Pour réduire l'exposition à ces substances chimiques : travailler dans des endroits correctement ventilés et avec des équipements de sécurité homologués tels que des masques antipoussières spécialement conçus pour filtrer les particules microscopiques.

- Procéder avec précautions dans un environnement non familier. Des risques dissimulés peuvent exister, comme des lignes électriques ou autres canalisations.
- Les fumées et la poussière dégagées par le meulage ou le polissage peuvent créer une atmosphère potentiellement explosible. Toujours utiliser un système d'aspiration ou de suppression de la poussière compatible avec le matériau travaillé.

- Cet outil n'est pas destiné à une utilisation dans des atmosphères potentiellement explosibles et n'est pas isolé contre le contact avec le courant électrique.

Informations utiles

Pays d'origine

Taiwan

Site web

Des informations à propos de nos Produits, Accessoires, Pièces de rechange et Documentation sont disponibles sur le site Web de Rodcraft.

Veuillez consulter : www.rodcraft.com.

Fiche de données de sécurité

Les Fiches de données de sécurité décrivent les produits chimiques vendus par Rodcraft.

Veuillez consulter le site Web Rodcraft pour plus d'informations qr.cp.com/sds.

Copyright

© Copyright 2023, Desoutter GmbH, Edmund-Seng-Str. 3-5, 63477 Maintal, Germany

Tous droits réservés. Toute utilisation non autorisée ou copie de tout ou partie du présent document est interdite. Ceci s'applique plus particulièrement aux marques de commerce, dénominations de modèles, références et schémas. Utiliser exclusivement les pièces autorisées. Tout dommage ou dysfonctionnement causé par l'utilisation d'une pièce non autorisée ne sera pas couvert par la garantie du fabricant ou la responsabilité du fait des produits.

Erklärungen

EU-Konformitätserklärung

Wir, **Desoutter GmbH**, Edmund-Seng-Str. 3-5, 63477 Maintal, Germany, erklären hiermit in alleiniger Verantwortung, dass dieses Produkt (mit Bezeichnung, Typ und Seriennummer laut dem Deckblatt) die Anforderungen der folgenden Richtlinie(n) erfüllt:

2006/42/EC (17/05/2006)

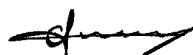
Angewandte harmonisierte Normen:
EN ISO 11148-7 :2012

Behörden können relevante technische Informationen anfordern von:

Pascal Roussy, R&D Manager, Ets Georges Renault, 38 rue Bobby Sands, BP10273 44818 Saint Herblain, France

Saint-Herblain, 2023/01/09

Pascal ROUSSY

Unterschrift




Statement zur Geräusch & Vibrations-Deklaration

- Schalldruckpegel 90 dB(A) , Unsicherheit 3 dB(A) gemäß EN ISO 15744.
- Schallleistungspegel 101 dB(A) , Unsicherheit 3 dB(A) gemäß EN ISO 15744.
- Vibrationsgesamtwert 4.33 m/s², Unsicherheit 1.1 m/s² gemäß ISO-28927-4.

Die deklarierten Werte wurden durch Labortests gemäß den genannten Normen ermittelt und eignen sich zum Vergleich mit den deklarierten Werten anderer Werkzeuge, die denselben Normen entsprechend geprüft wurden. Der Vibrationsemissionspegel kann für eine vorläufige Expositionsabschätzung verwendet werden. Diese angegebenen Werte gelten nicht für den Einsatz bei Risikoeinschätzungen und Werte an individuellen Arbeitsstationen können höher liegen. Die tatsächlichen Expositionswerte und Schädigungsrisiken für einzelne Benutzer sind von Fall zu Fall unterschiedlich und hängen von der jeweiligen Arbeitsweise des Benutzers, vom Werkstück und von der Beschaffenheit des Arbeitsplatzes sowie von der Expositionsdauer und der körperlichen Verfassung des Benutzers ab.

Wir, **Desoutter GmbH**, können nicht für Folgen, die sich aus der Verwendung der von uns angegebenen Werte statt der realen Belastungswerte für die in einer Arbeitsplatzsituation durchgeführte Risikoeinschätzung ergeben, haftbar gemacht werden, da wir auf diese keinen Einfluss haben.

Dieses Werkzeug kann bei nicht fachgerechter Anwendung ein Hand-Arm-Vibrationssyndrom verursachen. Einen EU-Leitfaden, der sich mit Hand-Arm-Vibration befasst, finden Sie unter <http://www.pneurop.eu/index.php> und durch Auswahl von „Werkzeuge“ und anschließend „Gesetzgebung“.

Wir empfehlen ein Programm zur Gesundheitsüberwachung, durch welches frühe Symptome erkannt werden können, welche sich auf die Vibrationsexposition zurückführen lassen, sodass die Abläufe der Maßnahmen daraufhin entsprechend geändert werden können, um zukünftige Beeinträchtigungen zu vermeiden.

- i** Wenn dieses Gerät für Einbauanwendungen vorgesehen ist:
Angaben zur Geräuschemission dienen als Richtwert für den Gerätebauer. Für das komplette Gerät geltende Geräusch- und Vibrationsemissionsdaten sollten in der zum Gerät gehörenden Bedienungsanleitung aufgeführt werden.

Informationen zu Artikel 33 in REACH

Die Verordnung (EG) Nr. 1907/2006 des Europäischen Parlaments und des Rates zur Registrierung, Bewertung, Zulassung und Beschränkung chemischer Stoffe (REACH) definiert unter anderem Anforderungen an die Kommunikation innerhalb der Lieferkette. Die Informationspflicht gilt auch für Produkte, die sogenannte besonders besorgniserregende Stoffe enthalten (die „Kandidatenliste“). Am 27. Juni 2018 wurde Blei (CAS Nr. 7439921) in die Kandidatenliste aufgenommen.

Gemäß den oben genannten Verordnungen und Hinweise informieren wir Sie hiermit darüber, dass bestimmte mechanische Komponenten des Produkts Blei enthalten können. Dies steht im Einklang mit den geltenden Rechtsvorschriften für Stoffbeschränkungen und basiert auf legitimen Ausnahmen im Rahmen der RoHS-Richtlinie (2011/65/EU). Bei normalem Gebrauch treten aus dem Produkt kein Blei oder Blei-derivate aus und die Bleikonzentration liegt weit unterhalb des geltenden Grenzwerts. Beachten Sie am Ende der Produktlebensdauer die vor Ort geltenden Bestimmungen zur Entsorgung von Blei.

Regionale Anforderungen

⚠️ WARNUNG

Dieses Produkt kann Sie Chemikalien, einschließlich Blei, aussetzen, was nach Kenntnis des Bundesstaats Kalifornien zu Krebserkrankungen und Geburtsfehlern oder sonstigen Schäden am Fortpflanzungssystem führen kann. Weitere Informationen finden Sie unter

<https://www.p65warnings.ca.gov/>

Sicherheit

NICHT WEGWERFEN - AN BENUTZER WEITERLEITEN

⚠️ WARNUNG Lesen Sie alle mit diesem Elektrowerkzeug bereitgestellten Sicherheitshinweise, Anweisungen, Abbildungen und Spezifikationen.

Eine Nichtbeachtung der Anweisungen kann zu Stromschlägen, Bränden und/oder ernsthaften Verletzungen führen.

Bewahren Sie alle Warnhinweise und Anweisungen zur künftigen Verwendung auf.

⚠️ WARNUNG Alle örtlichen Vorschriften, die Installation, Bedienung und Wartung betreffen, müssen immer beachtet werden.

Nutzungserklärung

- Nur zum Gebrauch durch ausgebildete Fachkräfte.
- Dieses Produkt und sein Zubehör dürfen in keinem Fall modifiziert werden.
- Benutzen Sie dieses Produkt nicht, wenn es beschädigt ist.
- Wenn die Produktdatenschilder oder Gefahrenwarnschilder unleserlich werden oder sich ablösen, sind diese sofort zu ersetzen.
- Das Produkt darf nur von geschulten Fachkräften und nur in Industrieumgebungen installiert, bedient und gewartet werden.

Vorgesehener Verwendungszweck

Dieses Produkt ist zur Materialentfernung unter Verwendung von Schleifkörpern vorgesehen. Sonstige Verwendungen sind unzulässig.

Produktspezifische Anweisungen

Bedienung

Anforderungen an die Druckluftversorgung

1. Versorgen Sie das Werkzeug mit sauberer, trockener Luft mit einem maximalen Druck von 90 psi (6,3 bar). Durch einen höheren Druck wird die Lebensdauer des Werkzeugs deutlich gesenkt.
2. Schließen Sie das Werkzeug mithilfe von Rohren, Schläuchen und Anschlüssen mit der im *Schema 3* gezeigten Größe an eine Luftleitung an.

Installation / Betrieb

1. Lösen Sie die Sicherheitsschraube, bringen Sie die Trennscheibe zwischen den beiden Flanschen an, ziehen Sie die Sicherheitsschraube wieder an und überprüfen Sie, ob die Trennscheibe korrekt am Werkzeug befestigt wurde.
2. Schließen Sie das Werkzeug wie im *Schema 3* gezeigt an.
3. Ziehen Sie zum Starten des Werkzeugs den Sicherheitsstarter (2) zurück und drücken Sie den Starterhebel (1) nach vorne. Erhöhen Sie die Maschinendrehzahl, indem Sie den Druck am Starterhebel (1) erhöhen. *Siehe Schema 2.*
4. Lassen Sie den Gasbedienungshebel (1) los, um das Gerät anzuhalten. *Siehe Schema 1.*

Ändern der Kopfposition

Siehe Schema 4

1. Stoppen Sie das Werkzeug.
2. Drücken Sie die Verriegelungshülse (2) nach vorne.
3. Verändern Sie die Position des Werkzeugkopfs nach oben oder unten (3) oder zurück zur Normalposition. *Siehe Schema 1.*
4. Lassen Sie die Verriegelungshülse (4) los. Die Verriegelungshülse kehrt in ihre Ausgangsposition zurück. *Siehe Schema 1*

⚠️ WARNUNG

- ▶ Starten Sie das Werkzeug nicht, wenn der Werkzeugkopf nicht verriegelt ist.
- ▶ Vermeiden Sie Verletzungen der Finger, indem Sie diese bei der Verwendung des Flex-Kopfes von den Mechanismen fernhalten.
- ▶ Achten Sie darauf, immer die Kante des Mechanismus festzuhalten, wenn der Flex-Kopf justiert wird. Die Finger können versehentlich in den Mechanismus gelangen.

Ändern der Drehrichtung

Siehe Schema 5

1. Stoppen Sie das Werkzeug.
2. Drehen Sie den Knopf (1) auf „F“ vor Vorwärts- und auf „R“ für Rückwärtslauf.
3. Starten Sie das Werkzeug erneut.

Nach abgeschlossener Arbeit

⚠️ WARNUNG Die Zeit bis zum Stillstand beträgt eventuell länger als 5 Sekunden.

- ▶ Stellen Sie sicher, dass das Gerät ausgeschaltet ist und zum Stillstand gekommen ist, bevor es abgelegt wird.
- ▶ Die Nachlaufzeit ist abhängig vom verwendeten Strahlmittel.

Legen Sie das Werkzeug vorsichtig ab, um sicherzustellen, dass es nicht selbstständig startet.

Instandhaltung und Wartung**Schmierung**

Benutzen Sie eine Druckleitungsschmierung mit ÖL vom Typ SAE #10. Stellen Sie die Menge auf zwei (2) Tropfen pro Minute ein.

Wartungsanweisungen

- Halten Sie die Umweltschutzbestimmungen für die sichere Handhabung und Entsorgung aller Komponenten des jeweiligen Landes ein.
- Wartungs- und Instandsetzungsarbeiten dürfen ausschließlich von qualifiziertem Personal und unter Verwendung von Original-Ersatzteilen durchgeführt werden. Wenden Sie sich an den Hersteller oder den nächsten Händler, wenn Sie Rat zum technischen Service oder Ersatzteile benötigen.
- Stets darauf achten, dass die Maschine von der Energiequelle getrennt ist, um ein ungewolltes Inbetriebsetzen zu vermeiden.
- Zerlegen und überprüfen Sie das Werkzeug alle drei Monate, wenn das Werkzeug jeden Tag benutzt wird. Schadhafte oder verschlissene Teile sind zu ersetzen.
- Um die Ausfallzeiten so gering wie möglich zu halten, wird das folgende Instandhaltungskit empfohlen: **Tune-up Kit**

Entsorgung

- Bei der Entsorgung dieses Geräts müssen die gesetzlichen Regelungen des jeweiligen Landes eingehalten werden.
- Schadhafte, stark abgenutzte oder fehlerhaft funktionierende Geräte **MÜSSEN AUSSER BETRIEB GENOMMEN WERDEN.**

Allgemeine Sicherheitshinweise

ⓘ Zusätzliche Sicherheitshinweise für tragbare Druckluftwerkzeuge:

- CAGI 2528 - B186.1, SICHERHEITSCODE FÜR TRAGBARE DRUCKLUFTWERKZEUGE; zu beziehen von Global Engineering Documents unter <https://global.ihs.com/> oder telefonisch unter +1 800 447-2273. ANSI-Normen können auch direkt bei ANSI unter <https://www.ansi.org/> angefordert werden.

Gefahren im Zusammenhang mit Luftversorgung und -anschlüssen

- Druckluft kann schwere Verletzungen verursachen.
- Schließen Sie stets die Luftzufuhr, lassen Sie die Druckluft aus dem Schlauch entweichen und trennen Sie das Werkzeug von der Luftzufuhr, wenn es nicht in Gebrauch ist und bevor Sie Zubehör austauschen oder Reparaturen ausführen.
- Richten Sie die Druckluft nie auf sich oder andere.
- Lose, unter Druck stehende Schläuche können schwere Verletzungen verursachen. Überprüfen Sie das Werkzeug stets auf beschädigte oder lose Schläuche und Anschlussstücke.
- Verwenden Sie bei diesem Werkzeug keine schnell lösenden Kupplungen. Beachten Sie die Anweisungen für die ordnungsgemäße Einrichtung.
- Bei Verwendung von Universal-Drehkupplungen müssen Sperrrasten montiert werden.
- Beachten Sie die Höchstgrenze für den Luftdruck von 6,3 bar (90 psig) bzw. die auf dem Typenschild des Werkzeugs angegebene Höchstgrenze.

Verwendung der Schutzhaube

- Benutzen Sie immer den empfohlenen Schleifscheibenschutz, um die Gefahr einer Verletzung durch abspringende Schleifscheibenteile zu reduzieren.
- Benutzen Sie einen Schleifscheibenschutz, der einen Schleifscheibenbruch überstanden hat, nicht weiter. Er könnte beschädigt sein.
- Bringen Sie die Schutzvorrichtung zwischen der Schleifscheibe und der Bedienungsperson an.
- Sehen Sie Barrieren vor, um andere Personen vor abspringenden Schleifscheibenfragmenten und Schleiffunken zu schützen.

Gefahren durch Verfangen

- Halten Sie immer ausreichend Abstand von der umlaufenden Antriebsspindel und der Schleifscheibe. Die Drehbewegung wird nach dem Loslassen des Schalters eventuell noch mehrere Sekunden fortgesetzt. Legen Sie das Werkzeug erst dann ab, wenn die Drehbewegung zum Stillstand gekommen ist.
- Halten Sie weite Kleidung, Handschuhe, Schmuck, Halsbekleidung und Haare vom Werkzeug und Zubehör fern. Eine Verwicklung kann zur Strangulierung, Skalpierung und/oder zu Schnittwunden führen.

Gefahren im Zusammenhang mit katapultierten Bauteilen

- Fehlfunktionen der Zubehöerteile, des Schleifmittels oder des Werkstücks können dazu führen, dass diese zu Hochgeschwindigkeitsgeschossen werden. Schleiffunken und selbst kleine Absplatterungen können Augenverletzungen und Erblindung hervorrufen.
- Tragen Sie während dem Betrieb, der Reparatur oder Wartung des Werkzeugs sowie beim Wechsel von Zubehör an diesem stets ein schlagfeste Schutzbrille und Gesichtsschutz.
- Stellen Sie sicher, dass alle sonstigen Personen im Arbeitsbereich einen stoßfesten Augen- und Gesichtsschutz tragen.

- Eine berstende Schleifscheibe kann zu ernsthaften oder sogar tödlichen Verletzungen führen.
- Messen Sie daher täglich die Drehzahl des Druckluftschleifers mit einem Drehzahlmesser, um sicherzustellen, dass die auf der Schleifscheibe angegebene Drehzahl nicht überschritten wird.
- Benutzen Sie niemals eine Schleifscheibe, die mit einer niedrigeren Drehzahl gekennzeichnet ist als der des Druckluftschleifers.
- Stellen Sie mithilfe der bereitgestellten Werkzeuge sicher, dass das Schleifmittel sicher am Schleifer befestigt ist. Die Flansche müssen grat- und rissfrei sein und ebene Spannflächen aufweisen. Spindeln und Spindelgewinde dürfen nicht beschädigt oder abgenutzt sein.
- Stellen Sie sicher, dass das Werkstück sicher fixiert ist.

Gefahren im Umgang mit dem Zubehör

- Schalten Sie immer die Druckluftzufuhr ab, lassen Sie den Druck im Schlauch ab und trennen Sie das Werkzeug von der Druckluftleitung, bevor Sie irgendwelches Zubehör austauschen.
- Verwenden Sie nur die empfohlenen Größen und Arten von Schleifmitteln.
- Benutzen Sie keine angeschlagenen oder gesprungenen Schleifscheiben und auch keine Schleifscheiben, die fallen gelassen wurden.
- Die korrekte Montage der Schleifscheibe ist wesentlich, um Verletzungen durch Scheibenbruch zu vermeiden.
- Vermeiden Sie unpassende Kombinationen von UNC-Gewinden und metrischen Gewinden.
- Schleifscheiben sollten eine Feinpassung auf der Spindel haben, um eine übermäßige Belastung an der Bohrung zu vermeiden. Verwenden Sie auf keinen Fall Reduzierhülsen, um Schleifscheiben mit großen Bohrungen zu montieren.
- Benutzen Sie zum Befestigen der Schleifscheibe nur die mit der Schleifmaschine mitgelieferten Flansche. Flache Unterlegscheiben oder andere Aufnahmen können zu einer übermäßigen Belastung der Schleifscheibe führen. Bringen Sie immer dicke Papierzwischenringe zwischen den Flanschen und der Schleifscheibe an.
- Wenn mehrere Flansche für verschiedene Schleifkörpergrößen und -typen geliefert werden, bringen Sie stets den für den verwendeten Schleifkörper korrekte(n) Flansch(e) an.
- Bei der Montage von konischen Scheiben, Topf- oder Aufsatzscheiben mit Gewindebohrungen darf das Spindelende nicht die Unterseite der Öffnung berühren, da ansonsten der Schleifkörper einer Belastung ausgesetzt wird.
- Ziehen Sie die Scheibenbefestigung gut an, damit sie sich beim Abstellen des Werkzeugs nicht abdreht.
- Testen Sie die Schleifscheibe vor dem Schleifen, indem Sie das Werkzeug mit voller Leistung laufen lassen. Achten Sie hierbei darauf, dass Sie sich durch eine Barriere schützen (zum Beispiel, indem Sie die Maschine unter eine schwere Werkbank halten), um Verletzungen

durch eventuell abspringende Scheibenteile zu vermeiden. Stellen Sie die Maschine sofort ab, wenn sie übermäßig vibriert.

Gefahren während des Betriebs

- Bedien- und Wartungspersonal muss der Größe, Gewicht und Leistung des Werkzeugs körperlich gewachsen sein.
- Das Werkzeug ordnungsgemäß halten: Seien Sie stets darauf vorbereitet, normale oder plötzliche Bewegungen abzufangen – beide Hände freihalten.
- Vermeiden Sie das Berühren von Zubehörteilen, Schleiffunken oder Arbeitsflächen, da hierbei Schnitt- oder Verbrennungsgefahr besteht. Vermeiden Sie jeglichen solchen Kontakt und tragen Sie Schutzkleidung wie Handschuhe, Schurz und Schutzhelm.
- Vermeiden Sie beim Abstechen ein Verklemmen der Scheibe. Stützen Sie das Werkstück zu beiden Seiten der Schnittlinie ab, um ein Festfressen der Scheibe zu verhindern. Sollte dies dennoch geschehen, schalten Sie die Maschine aus und befreien Sie die Scheibe vorsichtig. Stellen Sie sicher, dass die Scheibe nicht beschädigt und gut befestigt ist, bevor Sie die Arbeit mit der Schleifmaschine fortsetzen.
- Benutzen Sie niemals Trennscheiben zum Kantenschleifen.
- Schleiffunken können Kleidung entzünden und schwere Verbrennungen verursachen. Stellen Sie sicher, dass keine Funken auf die Kleidung gelangen. Kleidung aus flammhemmendem Material tragen und einen Eimer Wasser griffbereit halten.
- Bei Verwendung des Werkzeugs in Verbindung mit Kunststoffen und anderen nicht leitenden Materialien besteht die Gefahr elektrostatischer Entladung.
- Diese führt zur Funkenbildung in Gegenrichtung, wenn die Drehrichtung geändert wird.
- Diese erzeugt für den Bediener eine Reaktionskraft in Gegenrichtung, wenn die Drehrichtung geändert wird.

Gefahren im Zusammenhang mit sich wiederholenden Bewegungen

- Im Beruf kann die Verwendung eines Elektrowerkzeugs nach längerer Zeit zu Unbehagen an Händen, Armen, Schultern, Nacken oder anderen Körperteilen führen.
- Nehmen Sie eine bequeme Stellung ein, achten Sie gleichzeitig auf einen sicheren Stand und vermeiden Sie eine schlechte oder schiefe Körperhaltung. Bei längeren Arbeiten können Unbehagen und Ermüdung sich dadurch vermeiden lassen, dass immer wieder die Körperhaltung gewechselt wird.
- Ignorieren Sie keine Symptome wie anhaltendes oder wiederkehrendes Unbehagen, Schmerzen, Pochen, Kribbeln, Gefühllosigkeit, ein brennendes Gefühl, Gelenksteifigkeit oder sonstige Beschwerden. In dem Fall die Verwendung des Werkzeugs einstellen, Ihren Arbeitgeber benachrichtigen und einen Arzt aufsuchen.

Lärm- und Schwingungsgefährdung

- Hohe Geräuschpegel können zu dauerhaftem Gehörverlust und anderen Problemen wie Ohrensausen führen. Verwenden Sie Gehörschutz, wie von Ihrem Arbeitgeber oder von den Arbeitsschutzvorschriften empfohlen.

- Vibrationsbelastungen können zu Nervenschäden führen und die Durchblutung von Händen und Armen beeinträchtigen. Warme Kleidung tragen und die Hände stets warm und trocken halten. Sollten Sie Gefühllosigkeit, Kribbeln, Schmerzen oder weiße Flecken an Ihrer Haut bemerken, stellen Sie die Arbeit mit dem Werkzeug ein, benachrichtigen Sie Ihren Arbeitgeber und wenden Sie sich an einen Arzt.
- Halten Sie das Werkzeug leicht aber sicher, da die mit Vibrationen verbundenen Risiken im Allgemeinen bei höherer Greifkraft größer sind. Stützen Sie, wenn immer möglich, das Werkzeug mit einem Schwingungsdämpfer ab.
- So verhindern Sie unnötige Anstiege des Lärm- und Vibrationspegels:
 - Nehmen Sie Betrieb und Wartung des Werkzeugs sowie Auswahl, Wartung und Ersatz der Zubehörteile und Verbrauchsmaterialien gemäß dieser Bedienungsanleitung vor.
 - Verwenden Sie Dämpfungsmaterialien, um ein „Klingeln“ des Werkstücks zu vermeiden.

Gefahren am Arbeitsplatz

- Ausrutschen/Stolpern/Stürze gehören zu den häufigsten Verletzungs- oder Todesursachen. Stellen Sie sicher, dass weder auf dem Boden noch auf den Arbeitsflächen Schläuche herumliegen, die nicht gebraucht werden.
- Vermeiden Sie das Einatmen von Staub, Rauch oder Schmutz vom Arbeitsprozess, die Krankheiten verursachen können (z. B. Krebs, Geburtsfehler, Asthma und/oder Dermatitis). Verwenden bei der Arbeit mit Materialien, die Schwebstaub erzeugen, eine Staubabsauganlage und Atemschutz.
- Bestimmte Stäube, die beim Schmirgeln, Sägen, Schleifen, Bohren und bei anderen Herstellungs- und Bautätigkeiten entstehen, enthalten Chemikalien, die nach dem Informationsstand des US-Bundesstaates Kalifornien Krebs sowie embryonale Missbildungen oder sonstige Störungen der Fortpflanzungsorgane hervorrufen. Unter anderem sind folgende Chemikalien schädlich:
 - Blei aus bleihaltigen Farben und Lacken
 - Kristalliner Silikastein, Zement und sonstige Baustoffe
 - Arsen und Chrom aus chemisch behandeltem Gummi.

Das Ausmaß Ihrer Gefährdung hängt u. a. von der Häufigkeit ab, mit der Sie diesen Stoffen ausgesetzt sind. So schützen Sie sich bestmöglich gegen solche Chemikalien: Achten Sie auf eine ausreichende Belüftung des Arbeitsbereichs und arbeiten Sie mit der angebrachten Sicherheitsausrüstung wie Staubschutzmasken mit speziellen Mikropartikelfiltern.

- Arbeiten Sie in unbekanntem Umgebungen besonders vorsichtig. Es können verborgene Gefahrenquellen wie etwa elektrische oder sonstige Versorgungsleitungen vorliegen.
- Bei Schleif- und Schmirgelarbeiten können Staub und Dämpfe entstehen, die explosionsgefährdete Bereiche verursachen können. Verwenden Sie immer Systeme zur Staubabsaugung oder -unterdrückung, die für das bearbeitete Material geeignet sind.

- Dieses Werkzeug ist nicht zur Verwendung in potenziell explosiven Umgebungen geeignet und ist nicht elektrisch isoliert.

Nützliche Informationen

Herkunftsland

Taiwan

Website

Informationen zu unseren Produkten, Zubehör, Ersatzteilen und Veröffentlichungen finden Sie auf der Internetseite von Rodcraft.

Besuchen Sie: www.rodcraft.com.

Sicherheitsdatenblatt

Die Sicherheitsdatenblätter enthalten Beschreibungen der von Rodcraft vertriebenen chemischen Produkte.

Weitere Informationen finden Sie auf der Webseite von Rodcraft unter qr.cp.com/sds.

Copyright

© Copyright 2023, Desoutter GmbH, Edmund-Seng-Str. 3-5, 63477 Maintal, Germany

Alle Rechte vorbehalten. Jeglicher nicht autorisierte Gebrauch sowie das Kopieren der Inhalte ganz oder in Teilen ist verboten. Dies gilt insbesondere für Handelsmarken, Modellbezeichnungen, Artikelnummern und Zeichnungen. Verwenden Sie ausschließlich Originalbauteile. Schäden oder Fehlfunktionen, die durch den Einsatz unzulässiger Bauteile entstehen, sind nicht von der Garantie oder Produkthaftung abgedeckt.

Declaraciones

Declaración de conformidad UE

Nosotros, **Desoutter GmbH**, Edmund-Seng-Str. 3-5, 63477 Maintal, Germany, declaramos bajo nuestra única responsabilidad que el producto (con nombre, tipo y número de serie indicados en la primera página) es conforme a las siguientes Directivas:

2006/42/EC (17/05/2006)

Normativas armonizadas aplicadas:

EN ISO 11148-7 :2012

Las autoridades pueden solicitar información técnica relevante a:

Pascal Roussy, R&D Manager, Ets Georges Renault, 38 rue Bobby Sands, BP10273 44818 Saint Herblain, France

Saint-Herblain, 2023/01/09

Pascal ROUSSY



Firma

Declaración sobre ruido y vibraciones

- Nivel de presión acústica 90 dB(A), incertidumbre 3 dB(A), de conformidad con EN ISO 15744..
- Nivel de presión acústica 101 dB(A), incertidumbre 3 dB(A), de conformidad con EN ISO 15744.
- Valor total de vibración 4.33 m/s², incertidumbre 1.1 m/s², de acuerdo con ISO-28927-4.

Los valores declarados se han obtenido en pruebas de laboratorio realizadas con arreglo a las normas establecidas y son aptos para compararlos con los valores declarados de otras herramientas probadas de conformidad con las mismas normas. El nivel de emisión de vibración puede usarse para una evaluación preliminar de la exposición. Estos valores declarados no son adecuados para utilizar en evaluaciones de riesgos; asimismo, los valores medidos en lugares de trabajo específicos pueden ser más altos. Los valores de exposición reales y el riesgo de daño experimentados por un usuario individual son exclusivos y dependen de la forma de trabajo del usuario, la pieza de trabajo y el diseño del puesto de trabajo, así como del tiempo de exposición y del estado físico del usuario.

Nosotros, **Desoutter GmbH**, no tendremos responsabilidad alguna por las consecuencias del uso de los valores declarados en lugar de los valores reflejados en la exposición real, en una evaluación de riesgos individuales que se produzcan en una situación de trabajo sobre la que no tenemos control alguno.

Esta herramienta puede provocar el síndrome de vibración mano-brazo si no se utiliza correctamente. Puede encontrar una guía de la UE sobre cómo manejar la vibración brazo-mano accediendo a <http://www.pneurop.eu/index.php> y seleccionando "Tools" (Herramientas) y "Legislation" (Legislación).

Se recomienda mantener un programa de control sanitario de detección precoz de los síntomas relacionados con la exposición a vibraciones, con objeto de modificar los procedimientos de gestión y así evitar posibles discapacidades.

i Este equipo está diseñado para aplicaciones de montaje de sujeción:

La emisión de ruido se indica a modo de guía para el fabricante de la máquina. Los datos de emisiones de ruido y vibraciones de toda la máquina deberán incluirse en el manual de instrucciones de esta.

Información relacionada con el Artículo 33 en REACH

El Reglamento europeo (UE) n.º 1907/2006 relativo al registro, evaluación, autorización y restricción de las sustancias y preparados químicos (REACH) define, entre otras cosas, los requisitos relacionados con la comunicación en la cadena de suministro. El requisito de información también es aplicable a los productos que contengan las llamadas Sustancias muy preocupantes (la «Lista de candidatos»). El 27 de junio de 2018 se añadió el plomo (CAS n.º 7439921) a la Lista de candidatos.

De acuerdo con lo mencionado anteriormente, el objetivo del presente documento es informarle de que determinados componentes mecánicos en el producto pueden contener plomo. El presente documento es de conformidad con la legislación sobre restricción de sustancias actual y se basa en las exen-

ciones legítimas en la Directiva RoHS (2011/65/UE). No se producirán fugas de plomo ni mutará a partir del producto durante el uso normal y la concentración de plomo en el producto completo se encuentra bastante por debajo del límite umbral aceptable. Tenga en cuenta los requisitos locales sobre el desecho del plomo al final de la vida útil del producto.

Requisitos regionales

⚠ ADVERTENCIA

Este producto le puede exponer al plomo, considerado por el Estado de California como causante de cáncer y de malformaciones congénitas u otros daños reproductivos. Para más información visite

<https://www.p65warnings.ca.gov/>

Seguridad

CONSERVAR - ENTREGAR AL USUARIO

⚠ ADVERTENCIA Lea todas las advertencias, instrucciones, ilustraciones y especificaciones de seguridad suministradas con esta herramienta motorizada.

Si no se siguen todas las instrucciones que se indican a continuación pueden producirse descargas eléctricas, incendios o graves daños personales.

Guarde todas las advertencias e instrucciones para futuras consultas.

⚠ ADVERTENCIA Respete siempre todas las normas de seguridad relativas a la instalación, funcionamiento y mantenimiento de acuerdo a la legislación local.

Declaración de uso

- Solo para uso profesional.
- No se debe modificar ningún aspecto de este producto ni de sus accesorios.
- No utilice este producto si está dañado.
- Si los datos del producto o las señales de advertencia de peligro en el producto dejan de ser legibles o se desprenden, sustitúyalas sin demora.
- Solo personal cualificado puede instalar, operar y realizar servicios en el producto en un entorno industrial.

Uso previsto

Este producto ha sido diseñado para eliminar material sin abrasivos. No se permite ningún otro uso.

Instrucciones específicas para el producto

Funcionamiento

Requisitos de suministro de aire

1. Suministre aire seco y limpio con una presión máxima de 90 psi (6,3 bares) a la herramienta. Una mayor presión reduce drásticamente la vida útil de la herramienta.

2. Conecte la herramienta a la línea de aire utilizando los tamaños de tubería, manguera y rácor mostrados en el *esquema 3*.

Instalación/funcionamiento

1. Afloje el tornillo de seguridad, instale el disco de corte entre las dos bridas, apriete el tornillo de seguridad, asegúrese de que el disco de corte está fijado correctamente a la herramienta.
2. Conecte la herramienta como se muestra en el *esquema 3*.
3. Para poner en marcha la herramienta, tire de la palanca de seguridad (2) y empuje la palanca del acelerador (1). Incremente la velocidad de la máquina incrementando la presión en la palanca del acelerador (1). *Consulte esquema 2*.
4. Suelte la palanca del acelerador (1) para detener la herramienta. *Consulte esquema 1*.

Posición de cabezal giratorio

Consulte esquema 4.

1. Detenga la herramienta.
2. Empuje hacia delante el manguito de bloqueo (2).
3. Cambie la posición del cabezal de herramienta arriba o abajo (3), o de vuelta a la posición normal. *Consulte Esquema 1*.
4. Libere el manguito de bloqueo (4). El manguito de bloqueo vuelve a su posición original. *Consulte esquema 1*.

ADVERTENCIA

- ▶ No ponga en marcha la herramienta si el cabezal de herramienta no está bloqueado.
- ▶ Evite lesiones en los dedos manteniéndolos alejados de los mecanismos cuando opere el cabezal flexible.
- ▶ Asegúrese de sujetar el borde del mecanismo cada vez que se ajuste el cabezal flexible. Si no se presta atención los dedos podrían quedar atrapados por el mecanismo.

Cambiar el sentido de rotación

Consulte esquema 5.

1. Detenga la herramienta.
2. Gire el mando (1) a «F» o «R» para rotación hacia delante o inversa respectivamente.
3. Vuelva a poner en marcha la herramienta.

Cuando ha finalizado el trabajo

ADVERTENCIA El tiempo de parada puede ser superior a 5 segundos.

- ▶ Antes de dejar la herramienta, asegúrese de que está apagada y totalmente detenida.
- ▶ El tiempo de parada depende del abrasivo que se utilice.

Deje la herramienta con cuidado para evitar el riesgo de que se ponga en funcionamiento por sí misma.

Servicio y mantenimiento

Lubricación

Utilice un lubricador de conductos de aire con aceite SAE #10 ajustados a dos (2) gotas por minuto.

Instrucciones de mantenimiento

- **Siga las normativas medioambientales del país local para manipular y eliminar de forma segura todos los componentes.**
- Las labores de mantenimiento y reparación deberán ser realizadas por personal cualificado utilizando únicamente recambios originales. Póngase en contacto con el fabricante o con su concesionario autorizado más cercano para obtener asesoramiento sobre servicio técnico o si necesita recambios.
- Asegúrese de que la máquina esté desconectada de la fuente de energía para evitar una puesta en marcha accidental.
- Desmonte y revise la herramienta cada tres (3) meses si esta se utiliza a diario. Sustituya las piezas dañadas o desgastadas.
- Para evitar periodos de inactividad por avería, se recomienda la utilización del siguiente kit de servicio: **Kit de puesta a punto**

Eliminación

- Se debe cumplir la legislación del respectivo país para la eliminación de este equipo.
- Todos los dispositivos dañados, muy gastados o que funcionen incorrectamente **DEBEN DEJAR DE USARSE**.

Instrucciones generales de seguridad

Información sobre seguridad adicional relacionada con las herramientas neumáticas portátiles:

- CAGI 2528 - B186.1, SAFETY CODE FOR PORTABLE AIR TOOLS, disponible en Global Engineering Documents en <https://global.ihs.com/> o llame al número +1 800 447-2273. En su defecto, para obtener una copia de las normas ANSI, contactar a ANSI en <https://www.ansi.org/>

Peligro en el suministro de aire y las conexiones

- El aire a presión puede causar lesiones graves.
- Siempre antes de realizar reparaciones o cambiar accesorios, apague el suministro de aire, drene la manguera de presión de aire y desconecte la herramienta del suministro de aire cuando no esté en uso.
- Nunca apunte la salida de aire hacia usted o hacia ninguna otra persona.
- Las mangueras de conexión pueden causar lesiones graves. Siempre debe comprobar las mangueras y los ajustes dañados o sueltos.
- No utilice en la herramientas acoplamiento de desconexión rápida. Consulte las instrucciones para realizar una instalación adecuada.

- Siempre que se utilicen acoplamientos universales de espirales, deberán instalarse pasadores de bloqueo.
- La presión de aire no puede exceder un máximo de 6,3 bar / 90 psi o según se especifique en la placa de identificación de la herramienta.

Uso del protector de muela

- Para reducir el riesgo de las lesiones que puedan causar secciones rotas de la rueda de amolar, siempre se debe utilizar el protector recomendado para la rueda.
- Deje de utilizar el protector si ha soportado una rotura de muela. Es posible que esté dañado.
- Coloque el protector entre la rueda y el operario.
- Utilice barreras para proteger a los demás de cualquier fragmento de la rueda y de las chispas que se desprenden durante el trabajo de amolar.

Riesgos de atrapamiento

- No se acerque al eje giratorio ni al material abrasivo. Es posible que sigan girando después de haberse soltado el regulador. No ponga la herramienta sobre superficie alguna sin que antes se haya dejado de girar.
- Pueden producirse estrangulamientos, pérdidas de cabello y/o laceraciones si no se mantienen la ropa, las joyas, los colgantes y el pelo alejados de la herramienta y de los accesorios.

Riesgos de emisión de proyectiles

- Los fallos de los accesorios, el abrasivo o de la pieza pueden generar proyectiles de alta velocidad. Las chispas que se desprenden durante el trabajo de amolar, incluso los proyectiles de tamaño reducido pueden producir daños oculares y ceguera.
- Utilice siempre protección facial y ocular resistente a impactos durante el funcionamiento, reparación o mantenimiento de la herramienta o el cambio de accesorios de la misma.
- Asegúrese de que el resto del personal en la zona lleve protección facial y ocular resistente a impactos
- Al reventar una rueda pueden producirse lesiones muy graves o fatales.
- Mida diariamente la velocidad de la amoladora neumática con un tacómetro para asegurar que no sobrepase de las RPM señaladas en la rueda de amolado.
- Nunca utilice una rueda diseñada para una velocidad menor que la requerida por la amoladora neumática.
- Con la ayuda de las herramientas facilitadas, asegúrese de que el abrasivo está firmemente fijado a la amoladora. Las bridas no deben presentar grietas ni rebabas y sus superficies de sujeción deben ser planas. Los ejes y las roscas de los ejes no deben estar dañados ni desgastados.
- Asegúrese de que la pieza de trabajo esté bien sujeta.

Peligros del accesorio

- Siempre desconecte el suministro de aire, vacíe la manguera de presión y desconecte la herramienta del suministro de aire a la hora de cambiar accesorios.
- Solo use los tamaños y tipos de abrasivos recomendados.
- No utilizar ruedas picadas ni agrietadas ni ruedas que puedan haberse caído.

- Para evitar lesiones a causa de ruedas rotas, es imprescindible montar las ruedas correctamente.
- Procure no producir desajustes entre roscas UNC y métricas.
- Las ruedas de amolar deben descansar holgadamente en el eje para evitar tensión en el orificio. No utilice casquillos reductores para instalar muelas con orificios grandes.
- Para montar la rueda, se deben usar únicamente las bridas que vienen con la amoladora. Arandelas planas u otros adaptadores pueden producir un exceso de tensión en la rueda. Siempre se deben usar discos de papel secante grueso entre las bridas y la rueda.
- Si se suministran varias bridas de distintos tamaños y para distintos tipos de abrasivos, coloque siempre las bridas correctas para el abrasivo que esté utilizando.
- Cuando monte los cubos, los conos o las tomas con orificios roscados, el extremo del eje no debe tocar el fondo del orificio ya que causará fatiga en el abrasivo.
- Apriete la rueda en el eje para evitar que se salga al apagarse la máquina afiladora de aire comprimido.
- Realice una prueba de la rueda de amolado antes de ponerla en servicio haciendo funcionar la herramienta a la velocidad máxima. Debe usarse una barrera (por ejemplo ponerla a funcionar debajo de una mesa pesada de trabajo) para protección de posibles secciones quebradas de la rueda. Detenga la máquina inmediatamente si hubiera un exceso de vibración.

Riesgos derivados del uso

- Los operarios y el personal de mantenimiento deben estar físicamente capacitados para manejar el volumen, peso y potencia de la herramienta.
- Sostenga la herramienta correctamente: esté preparado para contrarrestar los movimientos normales o repentinos, mantenga libres ambas manos.
- Puede sufrir cortes y quemaduras si entra en contacto con el accesorio, chispas o la superficie de trabajo. Evite dichos contactos y utilice equipos de protección, como guantes, un mandil y un casco.
- Procurar que la rueda no se atasque al cortar el material. Apoyar la pieza de trabajo por ambos lados de la línea del corte para evitar que la rueda quede atrapada. Si se atasca, suelte el acelerador y libere la rueda. Antes de seguir trabajando, compruebe que no se haya dañado la rueda y que esté bien sujeta.
- Nunca use ruedas de corte para rebajar de canto.
- Las chispas que se desprenden durante el trabajo de amolar pueden inflamar la ropa y causar quemaduras graves. Asegúrese de que las chispas no lleguen a la ropa. Utilice prendas retardantes del fuego y tenga cerca un cubo de agua.
- Existe el riesgo de que se produzcan descargas electrostáticas si la herramienta se utiliza sobre plástico u otros materiales no conductores.
- Causa que las chispas salten en el sentido opuesto cuando se cambie el sentido de rotación.
- Causa una fuerza de reacción opuesta al operario cuando se cambia el sentido de rotación.

Riesgos derivados por movimientos repetitivos

- Cuando se utiliza una herramienta mecánica para actividades de trabajo, el operario puede experimentar molestias en las manos, brazos, hombros, cuellos u otras partes del cuerpo.
- Adopte una postura cómoda mientras mantiene una posición firme evitando posturas extrañas o desequilibradas. Cambiar de postura durante las tareas prolongadas puede ayudar a evitar las molestias y la fatiga.
- No ignore síntomas como las molestias persistentes o recurrentes, el dolor, dolores punzantes, hormigueos, adormecimientos, sensación de quemazón o rigidez. Deje de utilizar la herramienta, informe a su superior y consulte a un médico.

Riesgos derivados del ruido y la vibración

- Los niveles sonoros elevados pueden provocar pérdida de oído permanente y otros problemas como el tinnitus. Utilice protección para los oídos siguiendo las recomendaciones de su empresa o de las normas de seguridad y salud ocupacional.
- La exposición a la vibración puede causar daños en los nervios y el suministro sanguíneo en manos y brazos. Utilice ropa de abrigo y mantenga las manos calientes y secas. Si siente adormecimiento, cosquilleo, dolor o palidez en la piel, deje de usar la herramienta, informe a su superior y consulte a un médico.
- Sujete la herramienta de forma ligera pero segura ya que el riesgo de vibraciones es normalmente superior cuando aumenta la fuerza de sujeción. Siempre que sea posible, apoye el peso de la herramienta sobre un compensador.
- Para evitar aumentos innecesarios de los niveles de ruido y vibración:
 - Utilice y mantenga la herramienta, y seleccione, mantenga y sustituya los accesorios y los consumibles, de acuerdo con este manual de instrucciones;
 - Utilice materiales de amortiguación para evitar que las piezas de trabajo "vibren".

Riesgos en el lugar de trabajo

- Resbalones, tropiezos y caídas son las causas más frecuentes de lesiones graves o muerte. Preste atención a las mangueras que se encuentren en el suelo o en las superficies de trabajo.
- Evite la inhalación de polvo y humo y la manipulación de residuos producidos en el proceso de trabajo, ya que pueden provocar enfermedades (tales como cáncer, alteraciones en el feto, asma o dermatitis). Utilice un extractor de polvo y un equipo de protección respiratorio cuando vaya a trabajar con materiales que generen partículas que se desplazan por el aire.
- Las operaciones de lijar, aserruchar, esmerilar, taladrar y otras actividades de construcción producen polvo que podría contener productos químicos que se ha demostrado en el Estado de California que causan cáncer, defectos de nacimiento u otros daños reproductivos. Algunos ejemplos de estos productos químicos son los siguientes:
 - Plomo de las pinturas con base de plomo
 - Cemento y ladrillos de sílice cristalina y otros productos de mampostería

- Arsénico y cromo provenientes de madera químicamente tratada.

El riesgo de exposición varía de acuerdo con la frecuencia que usted realice este tipo de trabajo. Para reducir su exposición a estos productos químicos: trabaje en una área bien ventilada y con equipo de seguridad apropiado, tal como máscaras contra el polvo especialmente diseñadas para filtrar las partículas microscópicas.

- Trabajar con cuidado en lugares desconocidos. Pueden existir peligros ocultos, tales como una línea eléctrica u otras líneas de servicio.
- El polvo y los vapores liberados al lijar o rectificar pueden producir atmósferas potencialmente explosivas. Utilice un sistema de extracción o supresión de polvo adecuado para el material que está procesando.
- Esta herramienta no ha sido diseñada para ser usada en ambientes potencialmente explosivos, y no lleva aislamiento en caso de tener contacto con la energía eléctrica.

Información de utilidad***País de origen***

Taiwan

Sitio de Internet

Puede encontrar información relacionada con nuestros productos, accesorios, piezas de repuesto y material impreso en el sitio web Rodcraft.

Visite: www.rodcraft.com.

Ficha de seguridad

Las fichas de seguridad describen los productos químicos vendidos por Rodcraft.

Consulte el sitio web Rodcraft para más información qr.cp.com/sds.

Copyright

© Copyright 2023, Desoutter GmbH, Edmund-Seng-Str. 3-5, 63477 Maintal, Germany

Todos los derechos reservados. Queda prohibido el uso autorizado o la copia total o parcial del presente contenido. En particular, esta prohibición se aplica a las marcas comerciales, las denominaciones de los modelos, los números de referencia y los gráficos. Utilice sólo piezas autorizadas. Los daños o averías causados por el uso de piezas no homologadas no serán cubiertos por la Garantía o la Responsabilidad civil del producto.

Declarações

Declaração de Conformidade da União Europeia

Nós da **Desoutter GmbH**, Edmund-Seng-Str. 3-5, 63477 Maintal, Germany declaramos, sob nossa exclusiva responsabilidade, que este produto (com nome, tipo e número de série (ver a primeira página) está em conformidade com a(s) seguinte(s) Diretiva(s):

2006/42/EC (17/05/2006)

Normas harmonizadas aplicadas:

EN ISO 11148-7 :2012

As autoridades podem solicitar informações técnicas pertinentes de:

Pascal Roussy, R&D Manager, Ets Georges Renault, 38 rue Bobby Sands, BP10273 44818

Saint Herblain, France

Saint-Herblain, 2023/01/09

Pascal ROUSSY



Assinatura

Declaração sobre Ruído & Vibração

- Nível de pressão sonora 90 dB(A) , incerteza 3 dB(A), de acordo com EN ISO 15744.
- Nível de pressão sonora 101 dB(A) , incerteza 3 dB(A), de acordo com EN ISO 15744.
- Valor total da vibração 4.33 m/s², incerteza 1.1 m/s², de acordo com a ISO-28927-4.

Esses valores declarados foram obtidos por testes de laboratório de acordo com as normas citadas e são adequados para comparação com os valores declarados para outras ferramentas testadas de acordo com as mesmas normas. O nível de emissão da vibração pode ser usado como uma avaliação preliminar da exposição. Esses valores declarados não são adequados para uso em avaliações de risco e os valores medidos em locais de trabalho individuais podem ser maiores. Os valores reais de exposição e risco de danos experimentados por um usuário individual são únicos e dependem da forma como o usuário trabalha, da peça trabalhada e do design da estação de trabalho, bem como do tempo de exposição e da condição física do usuário.

Nós da **Desoutter GmbH** não somos responsáveis pelas consequências do uso dos valores declarados ao invés dos valores refletindo a exposição real, em uma avaliação individual de risco, em uma situação de local de trabalho sobre a qual não temos controle.

Esta ferramenta pode causar síndrome de vibração na mão e no braço se seu uso não for administrado corretamente. Um guia da UE para gerenciar as vibrações transmitidas à mão/braço pode ser encontrado acessando <http://www.pneurop.eu/index.php> e selecionando "Tools" ("Ferramentas") e, em seguida, "Legislation" ("Legislação").

Recomendamos um programa de vigilância médica para detectar, em tempo hábil, sintomas que possam estar relacionados com a exposição a vibrações ou ruídos, para que os procedimentos de manuseio possam ser modificados, de forma a ajudar a evitar lesões futuras.

- i** Este equipamento é destinado a aplicações fixas. A emissão de ruídos é dada como um guia para o construtor da máquina. Dados sobre emissão de vibração e ruído da máquina completa devem ser indicados no Manual de Instruções da máquina.

Informações a respeito do Artigo 33 do REACH

O Regulamento Europeu (UE) nº 1907/2006, sobre Registros, Avaliação, Autorização e Restrição de Produtos Químicos (REACH), define, entre outras coisas, os requisitos relacionados à comunicação na cadeia de suprimentos. O requisito das informações aplica-se também a produtos que contêm as chamadas Substâncias de Preocupação Muito Elevada (a "Lista de Candidatos"). No dia 27 de junho de 2018 foi acrescentado à Lista de Candidatos o metal chumbo (CAS nº 7439-92-1).

Conforme o que foi dito acima, o objetivo do presente documento é informar que determinados componentes mecânicos do produto podem conter o metal chumbo. Isto está em conformidade com a legislação atual de restrição de substâncias e baseia-se em exceções legítimas da Diretiva RoHS (2011/65/UE). Não ocorre vazamento ou mutação do chumbo a partir do produto durante uso normal e a concentração do metal chumbo no produto completo fica bem abaixo do limite aplicável. Também deve-se levar em conta os requisitos locais relacionados ao descarte de chumbo no final da vida útil do produto.

Requisitos regionais

⚠ AVISO

Este produto pode expor você a produtos químicos, entre eles o chumbo, conhecido no Estado da Califórnia por causar câncer e defeitos em recém-nascidos, além de outros danos à reprodução. Para mais informações, visite

<https://www.p65warnings.ca.gov/>

Segurança

NÃO DESCARTE - ENTREGUE AO USUÁRIO

⚠ AVISO Leia todos os avisos de segurança, instruções, ilustrações e especificações fornecidas com a ferramenta elétrica.

O não cumprimento de todas as instruções apresentadas abaixo poderá resultar em choque elétrico, incêndio e/ou lesões graves.

Guarde todos os alertas e instruções para referência futura.

⚠ AVISO Todas as normas de segurança localmente legisladas relativas a instalação, operação e manutenção devem ser sempre respeitadas.

Declaração de Uso

- Apenas para uso profissional.
- Este produto e seus acessórios não devem ser modificados em qualquer circunstância.

- Não utilize o produto se estiver danificado.
- Se os dados do produto ou as sinalizações de perigo na ferramenta deixarem de ser legíveis ou se soltarem, substitua o produto sem demora.
- Somente uma pessoa qualificada em ambiente de montagem industrial pode instalar, operar ou dar manutenção de rotina no produto.

Finalidade

Este produto foi desenvolvido para a remoção de materiais usando abrasivos. Não é permitido nenhum outro tipo de uso.

Instruções específicas do produto

Operação

Requisitos do Suprimento de Ar

1. Forneça ar limpo e seco com pressão máxima de 90 psig (6,3 bares) à ferramenta. Pressões mais altas reduzem drasticamente a vida útil da ferramenta.
2. Conecte a ferramenta à linha de ar comprimido utilizando os tamanhos de tubo, mangueira e conexões mostrados no diagrama *Esquema 3*.

Instalação/Operação

1. Solte o parafuso de segurança, instale o disco de corte entre os dois flanges, e aperte o parafuso de segurança. Confira se o disco de corte está fixado à ferramenta da maneira adequada.
2. Conecte a ferramenta conforme mostrado no *Esquema 3*.
3. Para dar partida na ferramenta, puxe a alavanca de segurança (2) e empurre a alavanca de regulagem (1). Aumente a velocidade da máquina aumentando a pressão na alavanca de regulagem (1). *Consulte o Esquema 2*.
4. Solte a alavanca do acelerador (1) para parar a ferramenta. *Consulte o Esquema 1*.

Posição da Cabeça de Giro

Consulte o Esquema 4

1. Pare a ferramenta.
2. Empurre para frente a manga de segurança (2).
3. Altere a posição da cabeça da ferramenta para cima ou para baixo (3), ou de volta à posição normal. *Consulte o Esquema 1*.
4. Libere a manga de segurança (4). A manga de segurança volta a sua posição original. *Consulte o Esquema 1*

AVISO

- ▶ Não dê partida na ferramenta, se a cabeça da ferramenta não estiver travada.
- ▶ Evite lesões nos dedos, mantendo seus dedos afastados dos mecanismos ao operar a cabeça flex.
- ▶ Não deixe de segurar na borda do mecanismo toda vez em que a cabeça flex for ajustada. Poderá ocorrer aprisionamento dos dedos, se não houver atenção.

Alterando o Sentido da Rotação

Consulte o Esquema 5

1. Pare a ferramenta.
2. Gire o botão (1) para “F” ou “R”, respectivamente, para a rotação de avanço ou de reverso.
3. Dê partida na ferramenta novamente.

Após o trabalho ser concluído

AVISO O tempo de parada pode ser maior que 5 segundos.

- ▶ Verifique se a ferramenta está desligada e se parou completamente antes de descê-la.
- ▶ O momento de parada dependerá do rebolo utilizado.

Assente a ferramenta com cuidado para que ela não parta inadvertidamente.

Manutenções de Rotina e Manutenções Corretivas

Lubrificação

Utilize um lubrificador de linha de ar com óleo SAE #10, ajustado para 2 (duas) gotas por minuto.

Instruções de manutenção

- Siga as regulamentações ambientais do país local para manusear e descartar com segurança todos os componentes.
- O trabalho de manutenção e reparos deve ser realizado por pessoal qualificado, utilizando apenas peças de reposição originais. Solicite orientações à assistência técnica ou peças de reposição ao fabricante ou ao revendedor autorizado mais próximo.
- A máquina deve sempre estar desconectada da fonte de energia para evitar que funcione acidentalmente.
- Desmonte e inspecione a ferramenta a cada três 3 meses se a ferramenta for usada todos os dias. Substitua peças danificadas ou desgastadas.
- Para reduzir o tempo de inatividade ao mínimo, recomenda-se o seguinte kit de manutenção: **Kit de regulagem**

Descarte

- A legislação do respectivo país deve ser seguida ao descartar o equipamento,
- Todos os dispositivos danificados, MUITO gastos e em mau estado de funcionamento **DEVEM SER RETIRADOS DE FUNCIONAMENTO**.

Instruções gerais de segurança

Outras informações de segurança sobre ferramentas pneumáticas portáteis:

- CAGI 2528 - B186.1, SAFETY CODE FOR PORTABLE AIR TOOLS, disponível na Global Engineering Documents no site <https://global.ihc.com/> ou ligue para +1 800 447-2273. No caso de dificuldade na obtenção de normas ANSI, entre em contato com o instituto ANSI pelo site <https://www.ansi.org/>

Perigos relacionados a conexão e suprimento de ar

- Ar pressurizado pode causar lesões graves.
- Feche sempre o suprimento de ar, remova a pressão da mangueira de ar comprimido, e desconecte a ferramenta do suprimento de ar quando não estiver em uso, antes de realizar a troca de acessórios ou ao fazer reparos.
- Nunca dirija o ar para si mesmo ou outra pessoa.
- Mangueiras chicoteando podem causar lesões graves. Verifique sempre se existem mangueiras e conexões danificadas ou soltas.
- Não use conexões de desengate rápido na ferramenta. Consulte a configuração correta nas instruções.
- Sempre que usar acoplamentos de giro universal, instale contrapinos.
- Não exceda a pressão do ar máxima de 6,3 bar / 90 psi, ou como definido na placa de identificação da ferramenta.

Uso do protetor do rebolo

- Use sempre a cobertura de proteção recomendada para a roda a fim de reduzir o risco de lesões causadas por fragmentos partidos da roda do esmeril.
- Se um protetor já tiver aparado a ruptura de um disco, não continue a usá-lo. Ele pode estar danificado.
- Posicione a cobertura de proteção entre a roda de esmeril e o operador.
- Use barreiras para proteger as outras pessoas dos fragmentos da roda e fagulhas.

Riscos de emaranhar-se

- Mantenha-se afastado do eixo de acionamento e do abrasivo em rotação. A rotação poderá manter-se durante vários segundos depois de se ter soltado o regulador. Não deite a ferramenta até que a rotação tenha parado.
- Sufocamento, escalpelamento e/ou laceração podem ocorrer se roupas soltas, luvas, joias, colares ou cabelo não forem mantidos longe de ferramentas e acessórios.

Perigos relacionados à projeção de materiais em alta velocidade

- A falha do acessório, abrasivo ou da peça de trabalho pode projetar fragmentos em alta velocidade. Fagulhas de trituração e até mesmo pequenos fragmentos podem atingir os olhos e causar cegueira.
- Sempre utilize proteção para os olhos e rosto durante a operação, reparos ou manutenção da ferramenta ou durante a troca de acessórios na ferramenta.
- Assegure que todas as pessoas no local estejam utilizando proteções resistentes a impactos para os olhos e o rosto.
- Uma roda de esmeril que rebente pode causar lesões muito graves ou até a morte de alguém.
- Meça diariamente a velocidade da esmerilhadeira pneumática com um tacômetro para confirmar que ela não ultrapassa os RPM indicados na roda de esmeril.
- Nunca utilize uma roda de esmeril marcada com uma velocidade inferior à da esmerilhadeira pneumática.

- Assegure que o abrasivo esteja preso à esmerilhadeira com segurança com o auxílio das ferramentas fornecidas. Os flanges não devem apresentar rebarbas ou trincas e devem ter superfícies de aperto planas. Eixos e roscas devem estar sem avarias ou desgaste.
- Garanta que a peça a ser trabalhada esteja fixada de forma segura.

Riscos com o acessório

- Ao trocar acessórios, desligue sempre o suprimento de ar, libere a pressão de ar da mangueira e desconecte a ferramenta do suprimento de ar.
- Utilize somente tamanhos de tipos recomendados de lixas.
- Não use rodas lascadas ou rachadas, nem rodas que já possam ter caído.
- É necessário montar a roda de esmeril de forma correta a fim de evitar lesões causadas por rodas quebradas.
- Evite misturar roscas de medidas métricas e imperiais (UNC) não compatíveis entre si.
- O encaixe dos rebolos no eixo deve ser folgado de modo a evitar tensões no furo. Não use escovas redutoras para encaixar discos de esmerilhamento com buracos grandes.
- Para montar a roda de esmeril, use apenas flanges que tenham sido fornecidos com a esmerilhadeira. Arruelas chatas ou outros adaptadores podem causar tensão excessiva na roda. Use sempre discos de papel mata-borrão resistentes entre os flanges e o disco.
- Se vários flanges forem fornecidos para se adequarem a diferentes tamanhos e tipos de abrasivo, sempre procure o flange correto para o abrasivo em utilização.
- Ao montar rebolos na forma de copo, cônicos ou retos com furos roscados, a extremidade do eixo não deverá encostar na parte inferior do furo para não causar tensões no abrasivo.
- Aperte a roda no eixo para evitar que entre em rotação quando a esmerilhadeira pneumática for desligada.
- Teste a roda de esmeril antes de esmerilhar funcionando a ferramenta na velocidade máxima. Use sempre uma barreira (por exemplo, debaixo de uma mesa de trabalho resistente) para bloquear possíveis pedaços do disco. Pare imediatamente se a ferramenta vibrar muito.

Perigos na operação

- Os operadores e o pessoal da manutenção devem ser fisicamente capazes de lidar com o volume, o peso e a potência da ferramenta.
- Segure a ferramenta corretamente: esteja pronto para reagir a movimentos súbitos ou mesmo aos normais – mantenha as duas mãos livres.
- Você pode se cortar ou sofrer queimaduras, caso entre em contato com o acessório, com as fagulhas do esmerilhamento ou com a superfície de trabalho. Evite este contato e utilize equipamentos de proteção, como luvas, avental e capacete.
- Evite bloquear a roda ao fazer o corte. Suporte a peça de trabalho de ambos os lados da linha de corte, a fim de evitar fazer com que o disco fique bloqueado. Caso

sucedam um bloqueio, solte o regulador e libere o disco. Verifique se o disco não sofreu danos, e se está devidamente preso, antes de continuar.

- Nunca utilize discos de corte para fazer esmerilhamentos laterais.
- Fagulhas de esmerilhamento podem queimar a roupa e causar queimaduras graves. Assegure que fagulhas não caiam na roupa. Use roupa à prova de fogo e tenha um balde de água próximo.
- Existe o risco de descargas eletrostáticas se a ferramenta for utilizada em plásticos e outros materiais não condutores.
- Isso gera centelhas no sentido oposto ao ser alterado o sentido de rotação.
- Isso gera uma força de reação no operador ao ser alterado o sentido de rotação.

Perigos do movimento repetitivo

- Quando usar uma ferramenta elétrica para executar atividades relacionadas ao trabalho, o operador pode sentir desconforto nas mãos, braços, ombros, pescoço ou outras partes do corpo.
- Adote uma postura confortável enquanto mantém uma posição equilibrada sobre os pés, evitando posturas inadequadas ou sem equilíbrio. Mudar a postura durante tarefas prolongadas pode ajudar a evitar desconforto e fadiga.
- Não ignore os sintomas, como desconforto periódico e persistente, dor, palpitações, sensibilidade, formigamento, dormência, sensação de queimação ou rigidez. Pare de usar a ferramenta, informe seu empregador e consulte um médico.

Riscos de vibrações e ruído

- Níveis sonoros muito altos podem causar perda auditiva permanente e outros problemas, como zumbido. Use a proteção auditiva recomendada pelo empregador e de acordo com os regulamentos de saúde e segurança do trabalho.
- A exposição a vibrações pode danificar e incapacitar os nervos e o suprimento de sangue para as mãos e braços. Use roupas quentes e mantenha as mãos aquecidas e secas. Se perceber dormência, formigamento, dor ou lividez da pele, pare de usar a ferramenta, informe seu empregador e consulte um médico.
- Segure a ferramenta de modo leve, porém firme, devido ao risco de vibrações ser geralmente maior quando a força da pegada é maior. Sempre que possível, suporte o peso da ferramenta utilizando um balancim.
- Para evitar aumentos desnecessários de níveis de vibração e ruído:
 - Opere e faça manutenção da ferramenta, e selecione, faça manutenção e substitua os acessórios e consumíveis de acordo com este manual de instruções;
 - Use materiais de amortecimento para evitar o “tinido” das peças a serem trabalhadas.

Perigos no local de trabalho

- Escorregões, tropeções e quedas são as principais causas de lesões graves ou morte. Não deixe excesso de mangueira nas vias de acesso ou no local de trabalho.

- Evite inalar poeira ou fumaça, ou manusear detritos do processo de trabalho que podem causar problemas de saúde (por exemplo, câncer, defeitos de nascença, asma e/ou dermatite). Use equipamento extrator de poeira e equipamento de proteção respiratória quando trabalhar com materiais que produzam partículas em suspensão no ar.
- Certas poeiras criadas pelo jateamento, serração, esmerilhamento, perfuração e outras atividades mecanizadas de construção podem conter componentes químicos que o Estado da Califórnia reconhece como causadores de câncer, defeitos de nascença e outros prejuízos ao sistema reprodutor humano. Alguns exemplos desses componentes químicos são:
 - Chumbo de tinta à base de chumbo
 - Tijolos de sílica cristalina, cimento e outros produtos de alvenaria
 - Arsênico e cromo da borracha tratada quimicamente.

Seu risco a essas exposições varia, dependendo da frequência que você realiza esse tipo de trabalho. Para reduzir sua exposição a esses componentes químicos: trabalhe em área bem ventilada e use equipamentos de proteção apropriados, como máscaras contra poeira que sejam especificamente indicadas para partículas microscópicas.

- Proceda com cuidado em ambientes desconhecidos. Podem existir riscos ocultos, como redes de eletricidade ou outras utilidades.
- A poeira e fumaça resultantes do lixamento ou esmerilhamento podem causar atmosferas potencialmente explosivas. Use sempre um sistema de extração ou supressão de poeira adequado para o material sendo processado.
- Essa ferramenta não foi concebida para ser utilizada em atmosferas potencialmente explosivas, não estando isolada do contato com a energia elétrica.

Informações úteis

País de origem

Taiwan

Website

Informações referentes a nossos Produtos, Acessórios, Peças de Reposição e Materiais Publicados podem ser encontrados no site da Rodcraft .

Visite: www.rodcraft.com.

Folha de Dados de Segurança

As Fichas de Informação de Segurança de Produto Químico descrevem os produtos químicos produzidos pela Rodcraft.

Consulte o site da Rodcraft para obter mais informações qr.cp.com/sds.

Copyright

© Copyright 2023, Desoutter GmbH, Edmund-Seng-Str. 3-5, 63477 Maintal, Germany

Todos os direitos reservados. É proibido o uso ou cópia do conteúdo ou parte dele sem autorização. Isso se aplica em particular a marcas registradas, denominações de modelo, números de peça e desenhos. Use somente peças autorizadas. Qualquer dano ou defeito causado pelo uso de peças não autorizadas não é coberto pela Garantia ou pela Responsabilidade pelo Produto.

Dichiarazioni

Dichiarazione di conformità UE

Desoutter GmbH, Edmund-Seng-Str. 3-5, 63477 Maintal, Germany, dichiara, sotto la propria esclusiva responsabilità, che il prodotto (del tipo e con il numero di serie riportati nella pagina a fronte) è conforme alle seguenti direttive:

2006/42/EC (17/05/2006)

Norme armonizzate applicate:

EN ISO 11148-7 :2012

Le autorità possono richiedere informazioni tecniche pertinenti a:

Pascal Roussy, R&D Manager, Ets Georges Renault, 38 rue Bobby Sands, BP10273 44818 Saint Herblain, France

Saint-Herblain, 2023/01/09

Pascal ROUSSY



Firma

Dichiarazione su vibrazioni e rumorosità

- Livello di pressione sonora 90 dB(A), incertezza 3 dB(A), secondo EN ISO 15744.
- Livello di pressione sonora 101 dB(A), incertezza 3 dB(A), secondo EN ISO 15744.
- Valore totale vibrazioni 4.33m/s², incertezza 1.1 m/s², secondo ISO-28927-4.

Tali valori dichiarati sono ottenuti tramite test di laboratorio in conformità agli standard dichiarati e sono idonei al confronto con i valori dichiarati di altri utensili testati in conformità agli stessi standard. Il livello di emissione delle vibrazioni potrebbe essere usato per la valutazione preliminare dell'esposizione. Tali valori dichiarati non sono adeguati all'uso nelle valutazioni di rischio e i valori misurati in luoghi di lavoro individuali potrebbero essere più elevati. I valori di esposizione reali e il rischio di danni causati a un utente singolo sono specifici e dipendenti dal modo in cui l'utente lavora, dal pezzo e dal design del luogo di lavoro, oltre che dal tempo di esposizione e dalla condizione fisica dell'utente.

Desoutter GmbH non può essere ritenuta responsabile per le conseguenze derivanti dall'utilizzo dei valori dichiarati, al posto di quelli relativi all'esposizione effettiva, in una valutazione del rischio relativa a uno scenario lavorativo su cui la nostra azienda non detiene alcun controllo.

Se non è gestito correttamente, l'utilizzo del presente utensile può causare la sindrome da vibrazioni mano-braccio. Per consultare una guida UE sulle vibrazioni trasmesse a mani/braccio, accedere al sito <http://www.pneurop.eu/index.php> e selezionare "Strumenti" quindi "Normative".

Consigliamo di usare un programma di controllo sanitario atto a individuare i primi sintomi di un'eventuale esposizione alle vibrazioni, in modo da modificare le procedure di gestione e prevenire le disabilità gravi.

- ① Se questa apparecchiatura è destinata ad applicazioni di fissaggio:
Le emissioni acustiche sono riportate come guida per il costruttore. I dati sulle emissioni acustiche e vibratorie per la macchina completa devono essere riportati nel manuale di istruzioni per la macchina.

Informazioni sull'articolo 33 del REACH

Il Regolamento europeo (UE) n. 1907/2006 sulla registrazione, valutazione, autorizzazione e restrizione delle sostanze chimiche (REACH) definisce, tra le altre cose, i requisiti relativi alla comunicazione nella catena di approvvigionamento. L'obbligo di informazione vale anche per i prodotti contenenti le cosiddette sostanze estremamente problematiche ("elenco delle sostanze candidate"). Il 27 giugno 2018, il piombo metallico (numero CAS 7439921) è stato aggiunto all'elenco delle sostanze candidate.

In conformità a quanto indicato sopra, determinati componenti meccanici del prodotto potrebbero contenere piombo metallico. Ciò è in conformità con la legislazione vigente in materia di restrizione delle sostanze e con le esenzioni legittime nella direttiva RoHS (2011/65/UE). Il piombo non colerà dal prodotto o si modificherà durante il normale utilizzo. La concentrazione di piombo nel prodotto completo è inferiore al limite di soglia applicabile. Valuta i requisiti locali sullo smaltimento del piombo al termine del ciclo di vita del prodotto.

Requisiti regionali

⚠ ATTENZIONE

Questo prodotto può causare esposizione a sostanze chimiche tra cui il piombo, note allo stato della California come causa di tumori e difetti congeniti o altri problemi riproduttivi. Per maggiori informazioni consultare <https://www.p65warnings.ca.gov/>

Sicurezza

NON SMALTIRE: DA CONSEGNARE ALL'UTENTE

⚠ ATTENZIONE Leggere tutti gli avvisi e le istruzioni di sicurezza unitamente alle illustrazioni e alle specifiche tecniche di questo utensile elettrico.

Il mancato rispetto delle seguenti istruzioni può causare scosse elettriche, incendi e/o gravi lesioni.

Conservare tutti gli avvisi e le istruzioni per consultarli eventualmente in futuro.

⚠ ATTENZIONE Rispettare sempre le norme ed i regolamenti locali inerenti l'installazione, il funzionamento e la manutenzione.

Dichiarazione sull'utilizzo

- Destinato solo a un utilizzo professionale.

- Questo utensile e i suoi accessori non devono mai essere modificati.
- Non utilizzare questo prodotto se è stato danneggiato.
- Se le targhette indicanti i dati del prodotto o i segnali di pericolo del prodotto diventano illeggibili o si staccano, sostituirli immediatamente.
- Il prodotto deve essere installato, utilizzato e mantenuto solo da personale qualificato e in un ambiente di assemblaggio industriale.

Uso previsto

Questo prodotto è progettato per rimuovere materiali utilizzando abrasivi. Non è consentito nessun altro uso.

Istruzioni specifiche del prodotto

Funzionamento

Requisiti di alimentazione dell'aria

1. Fornire all'utensile aria pulita e secca con pressione massima di 6,3 bar (90 psi). Una pressione più elevata ridurrà drasticamente la durata dell'utensile.
2. Collegare l'utensile alla linea dell'aria utilizzando tubi, flessibili e raccordi delle dimensioni indicate nello *schema 3*.

Installazione / funzionamento

1. Allentare la vite di sicurezza, installare il disco di taglio tra le due flange, serrare la vite di sicurezza, assicurarsi che il disco di taglio venga fissato correttamente all'utensile.
2. Collegare l'utensile secondo quanto indicato nello *schema 3*.
3. Per avviare l'utensile, tirare la leva di sicurezza (2) e spingere la leva dell'acceleratore (1). Aumentare la velocità della macchina incrementando la pressione sulla leva dell'acceleratore (1). *Fare riferimento allo schema 2*.
4. Rilasciare la leva dell'acceleratore (1) per arrestare l'utensile. *Fare riferimento allo schema 1*.

Posizione di rotazione della testa

Fare riferimento allo schema 4

1. Arrestare l'utensile.
2. Spingere in avanti il manicotto di bloccaggio (2).
3. Modificare la posizione della testa dell'utensile verso l'alto o il basso (2) o riportarla alla posizione normale. *Fare riferimento allo schema 1*
4. Rilasciare il manicotto di bloccaggio (4). Il manicotto di bloccaggio tornerà nella posizione originale. *Fare riferimento allo schema 1*

⚠ ATTENZIONE

- ▶ Non utilizzare l'utensile se la testa non è bloccata.
- ▶ Prevenire le ferite alle dita tenendole lontane dai meccanismi quando si aziona la testa flex.
- ▶ Aggrapparsi al bordo del meccanismo ogni volta che si regola la testa flex. Se non si presta attenzione, le dita potrebbero restare impigliate nel meccanismo.

Modifica del senso di rotazione

Fare riferimento allo schema 5

1. Arrestare l'utensile.
2. Ruotare la manopola (1) su "F" o "R" per la rotazione in avanti e all'indietro.
3. Avviare nuovamente l'utensile.

Dopo il completamento del lavoro

⚠ ATTENZIONE Il tempo di arresto potrebbe essere superiore a 5 secondi.

- ▶ Verificare che l'utensile sia scollegato e che sia completamente fermo prima di riporlo.
- ▶ Il tempo di arresto dipende dall'abrasivo utilizzato.

Posare l'utensile con cautela in modo che non si avvii da solo.

Assistenza e manutenzione

Lubrificazione

Utilizzare un lubrificatore per linea d'aria SAE #10 con olio, regolato su due (2) gocce al minuto.

Istruzioni per la manutenzione

- **Attenersi alle norme ambientali del Paese in cui si svolge il lavoro per la gestione e lo smaltimento sicuro di tutti i componenti.**
- Far eseguire i lavori di manutenzione e riparazione al personale qualificato e utilizzando solo ricambi originali. Contattare il produttore o il rivenditore autorizzato più vicino per una consulenza sull'assistenza tecnica o in caso di necessità di parti di ricambio.
- Assicurarsi sempre che la macchina sia scollegata dall'alimentazione per evitare l'azionamento accidentale.
- Smontare e ispezionare l'utensile ogni 3 mesi se l'utensile è usato quotidianamente. Sostituire le parti danneggiate o usurate.
- Per ridurre al minimo i tempi di fermo, si consiglia il seguente kit di servizio: **Kit di messa a punto**

Smaltimento

- Attenersi alla legislazione nazionale per lo smaltimento di questa apparecchiatura.
- Tutti i dispositivi danneggiati, gravemente usurati o che funzionano in modo irregolare **DEVONO ESSERE MESSI FUORI SERVIZIO.**

Norme di sicurezza generali

i Ulteriori informazioni sulla sicurezza relative agli utensili pneumatici portatili:

- CAGI 2528, B186.1, CODICE DI SICUREZZA PER GLI UTENSILI PORTATILI PNEUMATICI, disponibile presso Global Engineering Documents all'indirizzo <https://global.ihs.com/> o chiamando il numero +1 800 447-2273. In caso di difficoltà nel reperimento delle norme ANSI, rivolgersi direttamente all'associazione visitando il sito <https://www.ansi.org/>

Pericoli legati all'alimentazione e al collegamento pneumatico

- L'aria sotto pressione può causare gravi lesioni.
- Chiudere sempre la mandata dell'aria, scaricare la pressione e scollegare il sistema dalla rete in caso di inutilizzo, prima di sostituire gli accessori o nell'eseguire le riparazioni.
- Non dirigere mai il getto d'aria verso sé stessi o altre persone.
- Il colpo di frusta dei tubi flessibili può causare gravi lesioni. Controllare che non siano presenti tubi flessibili e raccordi danneggiati o allentati.
- Non utilizzare raccordi ad aggancio rapido sull'utensile. Consultare le istruzioni per una corretta configurazione.
- Quando si utilizzano raccordi a baionetta universali, inserire le spine di sicurezza.
- Non superare il limite massimo di 6,3 bar (90 psig) di pressione dell'aria o il valore indicato sulla targhetta dell'utensile.

Uso della protezione della mola

- Utilizzare sempre lo schermo di protezione della mola per ridurre il rischio di lesioni causate da pezzetti di mola che si staccano.
- Evitare di utilizzare protezioni che sono già state esposte a rotture della mola. Potrebbero essere danneggiate.
- Posizionare lo schermo di protezione tra la mola e l'operatore.
- Utilizzare schermi per proteggere i presenti dai frammenti della mola e dalle scintille di molatura.

Rischi causati dal rimanere impigliati

- Restare a distanza dall'albero del mandrino e dall'abrasivo. La rotazione può continuare per vari secondi dopo aver rilasciato il comando. Non appoggiare l'utensile fino a quando non ha smesso di ruotare.
- Indossando indumenti larghi, guanti, gioielli e collane nei pressi dell'utensile e degli accessori, potrebbero verificarsi casi di soffocamento e/o lacerazioni anche al cuoio capelluto, nel caso in cui i capelli restino impigliati.

Rischi relativi agli oggetti scagliati con forza

- Un guasto dell'accessorio, abrasivo o del pezzo può causare l'emissione di particelle ad alta velocità. Le scintille di molatura e anche oggetti proiettati di piccole dimensioni possono causare infortuni agli occhi o addirittura cecità.

- Indossare sempre una protezione per gli occhi e il viso resistente agli urti durante l'uso, la riparazione o manutenzione dell'utensile o la sostituzione degli accessori.
- Verificare che le persone presenti in zona indossino protezioni antiurto per occhi e volto.
- Lo scoppio di una mola può causare lesioni gravi o la morte.
- Misurare ogni giorno la velocità della molatrice pneumatica con un contagiri per verificare che non sia superiore al regime indicato sulla mola.
- Non utilizzare una mola dalla velocità inferiore a quella della smerigliatrice pneumatica.
- Con l'aiuto degli utensili in dotazione, verificare che l'abrasivo sia saldamente fissato alla smerigliatrice. Le flange devono presentarsi prive di sbavature e crepe, e le superfici di fissaggio devono essere in piano. I mandrini e le relative filettature non devono presentare segni di danni o usura.
- Verificare che il pezzo di lavoro sia fissato saldamente.

Pericoli dovuti agli accessori

- Per la sostituzione degli accessori, spegnere sempre l'alimentazione pneumatica, scollegare il tubo flessibile e l'utensile dall'alimentazione pneumatica.
- Utilizzare unicamente nastri abrasivi di dimensioni e tipologia consigliate.
- Non usare mole scheggiate o incrinata, oppure mole che sono state fatte cadere.
- Montare correttamente la mola per prevenire le lesioni causate da un'eventuale rottura della stessa.
- Evitare di abbinare le filettature UNC a quelle metriche.
- Le mole dovrebbero avere un accoppiamento libero sull'alberino per evitare sollecitazioni sul foro. Non usare boccole riduttrici per montare mole con foro largo.
- Usare solo le flange fornite in dotazione alla molatrice per il montaggio della mola. Rondelle piane o altri adattatori potrebbero sottoporre la mola a sollecitazioni eccessive. Utilizzare sempre dischi in carta assorbente pesante tra le flange e la mola.
- In presenza di flange di diverse dimensioni per i singoli tipi di abrasivi, utilizzare sempre la flangia corretta per il tipo di abrasivo utilizzato.
- Durante il montaggio di mole a tazza, cono o cilindro dotate di fori filettati, prevenire il contatto fra il mandrino e la base del foro, che potrebbe produrre sollecitazioni eccessive sull'abrasivo.
- Serrare la ruota sull'alberino per evitare che salti via quando la molatrice viene spenta.
- Prima di procedere all'affilatura, controllare la mola facendo funzionare l'utensile a pieno regime. Accertarsi di usare una protezione (per esempio sotto un tavolo da lavoro pesante) per fermare eventuali frammenti rotti della mola. Arrestare immediatamente la molatrice se le vibrazioni sono eccessive.

Rischi connessi all'utilizzo

- Gli operatori e addetti alla manutenzione devono essere in grado di gestire la mole, il peso e la potenza erogata dall'utensile.

- Sostenere l'utensile nel modo corretto: usare entrambe le mani per contrastare i movimenti normali o improvvisi dello stesso.
- Il contatto con l'accessorio, le scintille di molatura o la superficie di lavoro potrebbero causare tagli o ustioni. Evitare ogni contatto e indossare un equipaggiamento protettivo, come ad esempio guanti, grembiule e casco.
- Evitare l'inzeppamento della mola durante il taglio. Sostenere il pezzo di lavoro da entrambi i lati della linea di taglio per evitare l'inzeppamento della mola. In caso di inzeppamento, rilasciare il grilletto e liberare la mola. Prima di continuare, verificare che la mola non abbia subito danni e sia ben salda.
- Non usare mai frese per la molatura laterale.
- Le scintille generate dalla smerigliatura potrebbero innescare incendi sugli indumenti, causando gravi ustioni. Evitare il contatto fra le scintille e gli indumenti. Indossare sempre indumenti ignifughi e tenere sempre un secchio d'acqua a portata di mano.
- Esiste il rischio di scariche elettrostatiche se l'utensile viene utilizzato su plastica ed altri materiali non conduttivi.
- Quando si cambia il senso di rotazione, le scintille vengono espulse nella direzione opposta.
- Ciò provoca una forza di reazione opposta all'operatore quando si cambia il senso di rotazione.

Rischi connessi ai movimenti ripetitivi

- Durante l'utilizzo degli utensili elettrici per le attività lavorative, l'operatore può subire dolore alle mani, agli arti superiori, alle spalle, collo o in altre parti del corpo.
- Adottare una postura comoda mantenendo un appoggio sicuro sui piedi ed evitando le posizioni scomode o sbilanciate. Durante le lavorazioni prolungate, consigliamo di cambiare posizione per evitare l'affaticamento.
- Non ignorare sintomi persistenti e ricorrenti come ad esempio scomodità, dolore, fitte, indolenzimento muscolare, formicolio, intorpidimento, bruciore o rigidità. Interrompere l'utilizzo dell'utensile, informare il datore di lavoro e rivolgersi a un medico.

Rischi relativi alle emissioni acustiche e vibratorie

- Eccessivi livelli acustici possono causare perdite di udito permanenti e malattie come il tinnito auricolare. Utilizzare le protezioni acustiche consigliate dal datore di lavoro o imposte dalle norme di salute e sicurezza sul lavoro.
- L'esposizione alle vibrazioni può danneggiare i nervi e ostacolare la circolazione sanguigna a mani e braccia. Indossare indumenti caldi e tenere le mani al riparo dal freddo e dall'umidità. In caso di intorpidimento, formicolio, dolore e sbiancamento della pelle, sospendere l'utilizzo dell'utensile, informare il datore di lavoro e consultare un medico.
- Mantenere una presa leggera ma sicura dell'utensile, poiché il rischio legato alle vibrazioni è maggiore in presenza di una presa forte. Se possibile, sostenere il peso dell'utensile usando un bilanciatore.
- Per prevenire l'aumento delle emissioni acustiche e delle vibrazioni:

- L'uso e la manutenzione dell'utensile, nonché la scelta, manutenzione e sostituzione degli accessori e degli elementi di consumo, devono essere conformi a quanto indicato nel presente manuale di istruzioni;
- Utilizzare materiali antivibrazioni per prevenire i fenomeni di "risonanza" dei pezzi.

Rischi relativi al luogo di lavoro

- Gli scivolamenti, gli inciampi e le cadute possono causare infortuni gravi o mortali. Prestare attenzione alla presenza di tratti di tubo flessibile sulla superficie di calpestio o lavoro.
- Evitare l'inalazione di polveri o fumi o il trattamento di residui dei processi di lavorazione che possono causare malattie (per esempio, cancro, malformazioni fetali, asma e/o dermatite). Utilizzare l'estrazione di polvere e indossare attrezzature protettive per la respirazione durante il lavoro con materiali che producono particelle sospese nell'aria.
- La polvere prodotta da sabbiatura elettrica, utilizzo della sega, smerigliatura, perforazione e altre attività edili contiene sostanze chimiche che lo Stato della California ritiene provochino cancro, malformazioni del feto e disturbi dell'apparato riproduttivo. Si riportano di seguito alcuni esempi di tali sostanze chimiche:
 - piombo contenuto nelle vernici mattoni,
 - mattoni, cemento e altri materiali edili in silice cristallina
 - arsenico e cromo provenienti da gomma trattata chimicamente

I rischi derivanti dall'esposizione a tali materiali variano in base alla frequenza di svolgimento dell'attività. Per ridurre l'esposizione a tali sostanze chimiche: lavorare in aree ben ventilate e utilizzare dispositivi di sicurezza approvati, come le maschere antipolvere progettate appositamente per filtrare le particelle microscopiche.

- Prestare attenzione agli ambienti sconosciuti. Essi potrebbero contenere rischi nascosti, come ad esempio linee elettriche o di altro tipo.
- I fumi derivanti da sabbiatura o smerigliatura, possono generare atmosfere potenzialmente esplosive. Utilizzare sempre sistemi di estrazione o eliminazione delle polveri adeguati al tipo di materiale da lavorare.
- Questo utensile non è stato progettato per impiego in atmosfere potenzialmente esplosive e non è isolato dal contatto con l'elettricità.

Informazioni utili

Paese di origine

Taiwan

Sito web

Il sito web Rodcraft offre informazioni su prodotti, accessori, parti di ricambio e pubblicazioni.

Visita: www.rodcraft.com.

Scheda di sicurezza

Le schede di sicurezza descrivono i prodotti chimici venduti da Rodcraft.

Consultare il sito Web di Rodcraft (qr.cp.com/sds) per ulteriori informazioni.

Copyright

© Copyright 2023, Desoutter GmbH, Edmund-Seng-Str. 3-5, 63477 Maintal, Germany

Tutti i diritti riservati. Qualsiasi utilizzo o copia non autorizzati dei contenuti o di parte di questi è vietato. Ciò vale in particolare per marchi registrati, denominazioni dei modelli, numeri di componente e diagrammi. Utilizzare solo componenti autorizzati. Un eventuale danneggiamento o difetto di funzionamento causato dall'utilizzo di componenti non autorizzati non è coperto dalla garanzia o dalla responsabilità per danni dovuti a prodotti difettosi.

Verklaringen

EU-conformiteitsverklaring

Wij, **Desoutter GmbH**, Edmund-Seng-Str. 3-5, 63477 Maintal, Germany verklaren dat het product (met naam, type- en serienummer, zie voorpagina) in overeenstemming is met de volgende richtlijn(en):

2006/42/EC (17/05/2006)

Toegepaste geharmoniseerde normen:

EN ISO 11148-7 :2012

Autoriteiten kunnen relevante technische informatie opvragen van:

Pascal Roussy, R&D Manager, Ets Georges Renault, 38 rue Bobby Sands, BP10273 44818

Saint Herblain, France

Saint-Herblain, 2023/01/09

Pascal ROUSSY



Handtekening

Verklaring geluid & trilling

- Geluidsdruk niveau 90 dB(A), onzekerheid 3 dB(A), in overeenstemming met EN ISO 15744.
- Geluidsdruk niveau 101 dB(A), onzekerheid 3 dB(A), in overeenstemming met EN ISO 15744.
- Totale trillingswaarde 4.33 m/s², onzekerheid 1.1 m/s², in overeenstemming met ISO-28927-4.

Deze aangegeven waarden zijn verkregen door middel van laboratoriumtests volgens de opgegeven normen en zijn geschikt voor vergelijking met de aangegeven waarden van andere gereedschappen die volgens dezelfde normen zijn getest. Het trillingsemissieniveau kan worden gebruikt voor een voorlopige evaluatie van de blootstelling. Deze aangegeven waarden zijn niet geschikt voor gebruik in risicobeoordelingen. Waardes op individuele werkplekken kunnen hoger zijn. De werkelijke blootstellingswaarden en het risico van schade die een individuele gebruiker ondervindt zijn uniek en hangen af van de manier waarop de gebruiker

werkt, van het werkstuk en van het ontwerp van het werkstation, alsook van de blootstellingstijd en de fysieke conditie van de gebruiker.

Wij, **Desoutter GmbH**, zijn niet aansprakelijk voor de gevolgen van het gebruik van de weergegeven waarden, in plaats van waarden die passen bij de werkelijke blootstelling, zoals bepaald via een afzonderlijke risicobeoordeling, en in een werksituatie waarover wij geen controle hebben

Indien dit gereedschap niet naar behoren wordt gebruikt, kan dit het hand-arm vibratiesyndroom veroorzaken. Een EU-richtlijn voor hand-armtrillingen vindt u op <http://www.pneurop.eu/index.php>. Selecteer 'Gereedschappen' en vervolgens 'Wetgeving'.

Wij adviseren een gezondheidscontrole op te zetten om al in een vroeg stadium symptomen te kunnen waarnemen die gerelateerd zouden kunnen zijn aan blootstellingen aan trillingen, zodat managementprocedures aangepast kunnen worden om toekomstig letsel te voorkomen.

- ⓘ Als deze apparatuur is bedoeld voor vaste toepassingen: De geluidsuitstoot wordt als richtlijn voor de machinebouwer verstrekt. Gegevens m.b.t. geluids- en trillingsuitstoot voor de gehele machine staan in het instructiehandboek voor de machine.

Informatie betreffende artikel 33 van REACH

De Europese Verordening (EU) nr. 1907/2006 inzake de registratie en beoordeling van en de autorisatie en beperkingen ten aanzien van chemische stoffen (REACH) stelt onder andere eisen met betrekking tot de communicatie in de toeleveringsketen. De informatievereiste geldt ook voor producten die zogenaamde zeer risicovolle stoffen bevatten (de 'kandidaatlijst'). Op 27 juni 2018 werd loodmetaal (CAS-nr. 7439-92-1) toegevoegd aan de kandidaatlijst.

In overeenstemming met het bovenstaande, is deze mededeling bedoeld om u te informeren dat bepaalde mechanische componenten in het product loodmetaal kunnen bevatten. Dit is in overeenstemming met de huidige wetgeving inzake de beperking van stoffen en gebaseerd op rechtmatige uitzonderingen in de RoHS-Richtlijn (2011/65/EU). Loodmetaal lekt niet uit het product en muteert niet bij normaal gebruik en de concentratie van loodmetaal in het volledige product is ver onder de geldende drempel. Volg de lokale voorschriften bij het verwijderen van lood aan het einde van de levensduur van het product.

Regionale vereisten

⚠ WAARSCHUWING

Dit product kan u blootstellen aan chemicaliën, waaronder lood. Dit is een stof waarvan de Californische overheid weet dat deze kanker, aangeboren afwijkingen en vruchtbaarheidsproblemen veroorzaakt. Ga voor meer informatie naar

<https://www.p65warnings.ca.gov/>

Veiligheid

NIET WEGGOOIEN - AAN DE GEBRUIKER GEVEN

⚠ WAARSCHUWING Lees alle bij dit gereedschap geleverde veiligheidswaarschuwingen, instructies, illustraties en specificaties.

Indien u niet alle instructies hieronder opvolgt, kan dit leiden tot een elektrische schok, brand en/of ernstig lichamenteel letsel.

Bewaar alle waarschuwingen en instructies, zodat u ze op en later tijdstip kunt raadplegen.

⚠ WAARSCHUWING Alle plaatselijke wettige veiligheidsregels betreffende installatie, bediening en onderhoud moeten altijd in acht worden genomen.

Gebruiksverklaring

- Uitsluitend voor professioneel gebruik.
- Dit product en de accessoires mogen niet gemodificeerd worden.
- Gebruik dit product niet indien het beschadigd is.
- Indien de productgegevens of de gevarenwaarschuwingen op het product onleesbaar zijn of losraken, vervang ze dan onmiddellijk.
- Het product mag uitsluitend worden geïnstalleerd, gebruikt en onderhouden door bevoegde personeel in een industriële assemblage-omgeving.

Beoogd gebruik

Dit product is ontwikkeld voor het verwijderen van materiaal met gebruikmaking van slijpmiddelen. Gebruik van een andere aard is verboden.

Productspecifieke instructies

Bediening

Vereisten voor de luchttoevoer

1. Voer schone, droge lucht met een maximale druk van 90 psig (6,3 bar) naar het gereedschap. Hogere drukken verminderen de levensduur van het gereedschap aanzienlijk.
2. Sluit het gereedschap aan op de luchtleiding met behulp van de pijp-, slang- en fittingmaten zoals aangegeven in *schema 3*.

Installatie / gebruik

1. Draai de veiligheidsschroef los, installeer de snijschijf tussen twee flenzen, draai de veiligheidsschroef vast en zorg dat de snijschijf goed op het gereedschap is bevestigd.
2. Sluit het gereedschap aan zoals in *schema 3*.
3. Om het gereedschap te starten, trekt u aan de veiligheidshendel (2) en duwt u de snelheidsregelaar (1) in. Verhoog de snelheid van de machine door de druk op de snelheidsregelaar (1) te verhogen. *Zie schema 2*.
4. Laat de gashendel (1) los om het gereedschap te stoppen. *Zie schema 1*.

Kop draaien

Zie Schema 4

1. Stop het gereedschap.
2. Duw de sluitbus naar voren (2).
3. Wijzig de positie van de gereedschapskop omhoog of omlaag (3), of terug in de normale positie. *Zie Schema 1*.
4. Laat de sluitbus (4) los. De sluitbus komt terug in zijn oorspronkelijke positie. *Zie Schema 1*

⚠ WAARSCHUWING

- ▶ Sart het gereedschap niet als de gereedschapskop niet is vergrendeld.
- ▶ Voorkom letsel aan de vingers door uw vingers van de mechanismen wanneer te houden als u de flexkop bedient.
- ▶ Zorg dat u zich telkens aan de rand van het mechanisme vasthoudt wanneer u de flexkop ver stelt. Bij onoplettendheid kunnen de vingers worden gegrepen door het mechanisme.

De draairichting wijzigen

Zie Schema 5

1. Stop het gereedschap.
2. Draai de knop (1) naar 'F' of 'R' voor respectievelijk voorwaarts en achterwaarts.
3. Start het gereedschap opnieuw.

Als het werk voltooid is

⚠ WAARSCHUWING

 De stoptijd kan meer dan 5 seconden bedragen.

- ▶ Leg het gereedschap pas neer als het uitgeschakeld en volledig gestopt is.
- ▶ De stoptijd is afhankelijk van het gebruikte slijpmiddel.

Leg het gereedschap voorzichtig neer om ervoor te zorgen dat het gereedschap niet uit zichzelf start.

Service en onderhoud

Smeren

Gebruik een luchtsmeerinrichting met SAE #10-olie, afgesteld op twee (2) druppels per minuut.

Onderhoudsinstructies

- **Volg de lokale milieuvorschriften voor veilige hantering en verwijdering van alle onderdelen.**
- Onderhouds- en reparatiewerkzaamheden mogen alleen door gekwalificeerd personeel en met originele reserveonderdelen worden uitgevoerd. Neem contact op met de fabrikant of uw dichtstbijzijnde geautoriseerde dealer voor advies over technische service of als u reserveonderdelen nodig hebt.
- Voorkom onbedoeld inschakelen van de machine door altijd te controleren of de stroomkabel van de machine losgekoppeld is van het elektriciteitsnet.

- Demonteer en controleer gereedschap dat dagelijks gebruikt wordt om de 3 maanden. Vervang beschadigde of versleten onderdelen.
- Het gebruik van de volgende servicekit is aanbevolen om niet-productieve tijd tot een minimum te beperken: **Optimalisatiekit**

Afvoer

- Voor de verwijdering van deze apparatuur moet de wetgeving van het betreffende land worden gevolgd.
- Beschadigde, versleten of onjuist werkende gereedschappen **MOETEN BUITEN WERKING GESTELD WORDEN.**

Algemene veiligheidsinstructies

i Aanvullende veiligheidsinformatie betreffende draagbare pneumatische gereedschappen:

- CAGI 2528 - B186.1, VEILIGHEIDSCODE VOOR DRAAGBARE PNEUMATISCHE GEREEDSCHAPPEN, verkrijgbaar via Global Engineering Documents op <https://global.ihs.com/> of bel +1 800 447-2273. In geval van problemen bij het verkrijgen van ANSI-normen kunt u contact opnemen met ANSI via <https://www.ansi.org/>

Gevaar m.b.t. luchttoevoer en luchtleidingen

- Perslucht kan ernstig letsel veroorzaken.
- Schakel de luchttoevoer uit, verwijder lucht uit de leidingen en koppel het gereedschap, wanneer u het niet gebruikt, af van de luchttoevoer alvorens accessoires te verwisselen of reparaties uit te voeren.
- Richt de luchtleiding nooit op uzelf of op een ander.
- Wegschietende slangen kunnen ernstig letsel veroorzaken. Controleer altijd of slangen en hulpstukken onbeschadigd zijn en goed vastzitten.
- Gebruik geen snelkoppelingen bij het gereedschap. Zie de instructies voor de juiste instelling.
- Als er kruiskoppelingen worden gebruikt, moeten er borgpennen worden geïnstalleerd.
- Overschrijd de maximale luchtdruk van 6,3 bar / 90 psi, of de waarde op de naamplaat van het gereedschap niet.

Gebruik van schijfbescherming

- Gebruik altijd de aanbevolen wielbescherming om de kans op lichamenteel letsel als gevolg van gebroken onderdelen van het slijpwielt te voorkomen.
- Indien een beschermer het breken van een wiel heeft doorstaan, dient u deze niet meer te gebruiken. De beschermer is mogelijk beschadigd.
- Plaats de beschermer tussen het slijpwielt en de bediener.
- Gebruik schermen om anderen te beschermen tegen wielfragmenten en vonken.

Verstrikkingsgevaar

- Uit de buurt van draaiende spindel van de aandrijving en slijpmiddel blijven. Na het uitschakelen van het gereedschap, kan het draaien nog enkele seconden doorgaan. Leg het gereedschap pas neer als het draaien gestopt is.

- Als u loszittende kleding, handschoenen, sieraden, sjaals en haar niet uit de buurt van het gereedschap en accessoires houdt, kan dit leiden tot verstikking, beschadiging van haar en hoofdhuid en/of verwondingen.

Gevaren in verband met wegschietende delen

- Falen van de accessoire, het schuurmiddel het werkstuk kan projectielen met hoge snelheid opleveren. Slijpvonken en zelfs kleine wegschietende voorwerpen kunnen oogbeschadiging en blindheid veroorzaken.
- Draag altijd slagvaste oog- en gezichtsbescherming tijdens gebruik, reparatie of onderhoud van het gereedschap of bij het vervangen van accessoires op het gereedschap.
- Zorg dat iedereen die zich in het gebied bevindt slagvaste oog- en gezichtsbescherming draagt.
- Een slijpwielt dat barst kan ernstig lichamenteel letsel of de dood veroorzaken.
- Meet dagelijks de snelheid van de pneumatische slijper met een tachometer, om zeker te zijn dat deze niet hoger is dan de op het slijpwielt aangegeven rpm.
- Gebruik nooit een slijpwielt met een lagere toegestane snelheid die dan die van de pneumatische slijpmachine.
- Zorg met behulp van het meegeleverde gereedschap dat het schuurmiddel stevig op de slijpmachine geklemd zit. De flenzen moeten vrij zijn van bramen en scheuren en de flensoppervlakken moeten vlak zijn. Spindels en spindelraden mogen niet beschadigd of versleten zijn.
- Zorg ervoor dat elk project waaraan u werkt goed is bevestigd.

Accessoiregevaaren

- Schakel altijd de luchttoevoer uit, ontluicht de slang en koppel het gereedschap af van de luchttoevoer alvorens accessoires te verwisselen.
- Gebruik uitsluitend slijpmiddelen met de aanbevolen afmetingen/types.
- Gebruik geen wielen met barsten of scheuren, of die gevallen zijn.
- Een correcte montage van het slijpwielt is noodzakelijk om lichamenteel letsel als gevolg van kapotte wielen te voorkomen.
- Voorkom het verwisselen van schroefdraad met UNC- en metrische afmetingen.
- Slijpwielen moeten vrij passen op de spindel, om een teveel spanning bij het gat te voorkomen. Gebruik geen verkleinbussen op slijpwielen met een groot gat.
- Monteer uitsluitend bij de slijper geleverde flenzen op het slijpwielt. Vlakke onderleggingen of andere adapters zorgen voor te veel spanning op het wiel. Gebruik altijd zware papieren vloeischijven tussen de flenzen en het slijpwielt.
- Indien verscheidene flenzen zijn meegeleverd voor montage van verschillende types slijpmiddelen met verschillende afmetingen, monteer de correcte flens (flenzen) voor het slijpmiddel dat u gebruikt.
- Als u kommen, conische wielen of stekkers met openingen met schroefdraad monteert, mag het spindeluiteinde niet in contact komen met de onderkant van de opening omdat dit stress op het slijpmiddel tot gevolg heeft.

- Draai het wiel vast op de spindel, om het wegvliegen ervan te voorkomen als de pneumatische slijper wordt uitgeschakeld.
- Test de slijpschijf voorafgaand aan het slijpen door het gereedschap op volle snelheid te laten draaien. Gebruik een afscherming (zoals een zware werkbank) om eventueel afbrekende wioldelen tegen te houden. Stop onmiddellijk indien het gereedschap overmatig trilt.

Operationele risico's

- Gebruikers en onderhoudspersoneel moet lichamelijk in staat zijn om met de omvang, het gewicht en de kracht van dit apparaat om te kunnen gaan.
- Houd het gereedschap op de correcte manier vast: zorg dat u klaar bent om normale of plotselinge bewegingen op te vangen. Houd beide handen vrij.
- U kunt snij- of brandwonden oplopen als u in contact komt met een accessoire, slijpvonken of het werkoppervlak. Voorkom dergelijk contact en draag beschermende kleding zoals handschoenen, schort en helm.
- Voorkom vastlopen van het wiel tijdens het snijden. Ondersteun het project waaraan u werkt aan beide zijden van de snijlijn, om te voorkomen dat het wiel vast komt te zitten. Indien het wiel vastzit, dient u de aandrijving uit te schakelen en het wiel vrij te maken. Controleer of het wiel onbeschadigd is en goed vast zit alvorens de werkzaamheden voort te zetten.
- Gebruik nooit snijwielen voor zijwaarts slijpen.
- Slijpvonken kunnen kleding vlam doen vatten, wat tot ernstige brandwonden kan leiden. Voorkom dat de vonken niet op kleding terecht komen. Draag kleding die is behandeld met een brandvertragend middel en houd altijd een emmer water in de buurt.
- Indien het gereedschap wordt gebruikt op kunststof en andere niet-geleidende materialen, bestaat er kans op elektrostatische ontlading.
- Hierdoor worden vonken uitgeworpen in tegengestelde richting wanneer de draairichting wordt gewijzigd.
- Het veroorzaakt een tegengestelde reactiekracht op de gebruiker wanneer deze de draairichting wijzigt.

Gevaar: repeterende beweging

- Tijdens het gebruik van elektrisch gereedschap, ervaart de bediener mogelijk een onprettig gevoel in de handen, armen, schouders, nek of andere lichaamsdelen.
- Neem een prettige houding aan en zorg dat u in balans bent. Neem geen slechte houding aan en zorg dat u niet uit balans raakt. Voorkom een onprettig gevoel en vermoeidheid door regelmatig van houding te veranderen gedurende langdurige taken.
- Negeer nooit de volgende symptomen: aanhoudend of terugkerend ongemak, pijn, kloppende pijn, tintelingen, gevoelloosheid, branderigheid of stijfheid. Staak het gebruik van het gereedschap, stel uw werkgever op de hoogte van uw ervaringen en neem contact op met een arts.

Gevaar: geluid en trillingen

- Harde geluiden kunnen leiden tot permanente gehoorschade en andere problemen, zoals tinnitus. Gebruik oorbeschermers die worden aangeraden door uw werkgever of in de reglementen voor welzijn en veiligheid op de werkvloer.
- Blootstelling aan trillingen kan leiden tot permanente zenuwbeschadiging en een verstoorde bloedtoevoer naar handen en armen. Draag warme kleding en houd uw handen warm en droog. Indien u gevoelloosheid, tintelingen of het wit wegtrekken van de huid waarneemt, dient u het gereedschap uit te schakelen, uw werkgever hiervan op de hoogte te stellen en contact met een arts op te nemen.
- Houd het gereedschap goed vast, maar niet te strak, aangezien de kans op letsel door trillingen groter is naarmate u het gereedschap strakker vasthoudt. Ondersteun waar mogelijk het gewicht van het gereedschap met een stabilisator.
- Om onnodige toename van geluids- en trillingsniveaus te voorkomen:
 - Gebruik en onderhoud het gereedschap, en selecteer, onderhoud en vervang de accessoires en verbruiksartikelen in overeenstemming met de instructies in deze handleiding;
 - Gebruik dempende materialen om 'rinkelen' van het werkstuk te voorkomen.

Werkplaatsgevaaren

- Uitglijden, struikelen en vallen zijn belangrijke oorzaken van ernstig lichamelijk letsel en overlijden. Let goed op buizen die op loop- of werkoppervlakken liggen.
- Voorkom het inademen van stof of dampen of het hanteren van vuil afkomstig van het werkproces, die schadelijk zijn voor de gezondheid (denk hierbij aan kanker, aangeboren afwijkingen, astma en/of dermatitis). Zuig stof af en draag een stofmasker wanneer u werkt met materialen die deeltjes afgeven aan de lucht.
- Elektrisch schuren, zagen, slijpen, boren en andere bouwactiviteiten creëren stof die chemicaliën bevat die bij de staat Californië bekend staan als elementen die kankerverwekkend zijn, aangeboren afwijkingen veroorzaken of een nadelige invloed op de voortplanting hebben. Voorbeelden van dit soort chemicaliën zijn:
 - Lood uit verf op loodbasis
 - Silicakristallen, cement en andere metselproducten
 - Arsenicum en chroom in rubber dat met chemicaliën is behandeld

In hoeverre u risico loopt, is afhankelijk van de frequentie waarmee u dit soort werkzaamheden uitvoert. Beperk blootstelling aan dit soort chemicaliën als volgt: werk in een goed geventileerde ruimte, werk met goedgekeurde veiligheidsuitrusting, zoals stofmaskers die speciaal ontwikkeld zijn voor het filteren van microscopisch kleine deeltjes.

- Wees voorzichtig wanneer u zich op onbekend terrein bevindt. Er zijn mogelijk verborgen gevaren, zoals elektrische of andere utiliteitsleidingen.

- Stof en dampen afkomstig van schuren of slijpen kunnen een potentieel explosieve atmosfeer veroorzaken. Gebruik altijd een stofafzuigings- of onderdrukkingssysteem dat geschikt is voor het materiaal dat wordt verwerkt.
- Dit gereedschap is niet bedoeld voor gebruik in een potentieel explosieve atmosfeer en is niet geïsoleerd tegen contact met een elektriciteitsbron.

Nuttige informatie

Land van oorsprong

Taiwan

Website

Informatie betreffende onze producten, accessoires, reserveonderdelen en pucliaties is te vinden op de website van Rodcraft.

Ga naar: www.rodcraft.com.

Veiligheidsinformatieblad

De veiligheidsinformatiebladen beschrijven de chemische producten verkocht door Rodcraft.

Raadpleeg de Rodcraft-website voor meer informatie qr.cp.com/sds.

Copyright

© Copyright 2023, Desoutter GmbH, Edmund-Seng-Str. 3-5, 63477 Maintal, Germany

Alle rechten voorbehouden. Onrechtmatig gebruik of het kopiëren van de inhoud of een deel hiervan is verboden. Dit is met name van toepassing op handelsmerken, modelnamen, onderdeelnummers en tekeningen. Gebruik uitsluitend onderdelen van Atlas Copco. Schade of defecten als gevolg van het gebruik van onderdelen van derden vallen niet onder de garantie.

Erklaringen

EU-overensstemmingsverklaring

Vi, **Desoutter GmbH**, Edmund-Seng-Str. 3-5, 63477 Maintal, Germany, verklaart, onder eeneansvar, at produktet (med navn, type og serienummer på forsiden) er i overensstemmelse med følgende direktiv(er):

2006/42/EC (17/05/2006)

Harmoniserede standarder anvendt:
EN ISO 11148-7 :2012

Myndigheder kan rekvirere relevant teknisk information fra:

Pascal Roussy, R&D Manager, Ets Georges Renault, 38 rue Bobby Sands, BP10273 44818 Saint Herblain, France

Saint-Herblain, 2023/01/09

Pascal ROUSSY



Underskrift

Støj- og vibrationsdeklaration

- Lydtrykniveau 90 dB(A) , usikkerheds- 3 dB(A), i overensstemmelse med EN ISO 15744.
- Lydeffektniveau 101 dB(A) , usikkerhed 3 dB(A), i overensstemmelse med EN ISO 15744.
- Vibrationens totalværdi 4.33 m/s², usikkerhed 1.1 m/s², i overensstemmelse med ISO-28927-4.

Disse erklærede værdier blev indhentet efter test af laboratypen i overensstemmelse med de angivne standarder og er egnet til sammenligning med de erklærede værdier for andre værktøjer testet i overensstemmelse med samme standarder. Vibrationsemissionsniveauet kan bruges til et foreløbigt skøn af eksponering. Sådanne erklærede værdier er ikke tilstrækkelige til brug i risikovurderinger, og værdier målt på de enkelte arbejdspladser kan være højere. De faktiske eksponeringsværdier og risici for skade, som opleves af den enkelte bruger er unikke og afhænger af, hvordan brugeren arbejder, arbejdsområdet og arbejdspladsens udlægning, så vel som af eksponeringstiden og brugerens fysiske tilstand.

Vi, **Desoutter GmbH**, hæfter ikke for følgerne af at bruge de erklærede værdier i stedet for værdier, der afspejler den faktiske udsættelse i en individuel risikovurdering som foretages i en arbejdspladssituation som vi ikke er herre over.

Dette værktøj kan forårsage hånd-arm-vibrationssyndrom, hvis anvendelse af værktøjet ikke styres på passende vis. En EU-vejledning til styring af hånd-armvibration findes ved at gå til <http://www.pneurop.eu/index.php> og vælg 'Tools' og derpå 'Legislation'.

Vi anbefaler et helbredsovervågningsprogram, så tidlige symptomer på vibrationseksponering kan blive opdaget, og ledelsesprocedurerne kan ændres mhp. at forebygge fremtidige skader.

- ① Hvis dette udstyr er beregnet til fastgjorte anvendelser. Støjemissionen angives som vejledende for maskinbyggerne. Støj- og vibrationsemissionsdata for hele maskinen skulle være angivet i maskinens instruktionsbog.

Oplysninger om artikel 33 i REACH

Den europæiske forordning (EU) nr. 1907/2006 om registrering, vurdering og godkendelse af samt begrænsninger for kemikalier (REACH) definerer blandt andet krav til kommunikation i forsyningskæden. Oplysningskravet gælder også for produkter, der indeholder såkaldte særligt problematiske stoffer ("kandidatlisten"). Den 27. juni 2018 blev blymetal (CAS nr. 7439-92-1) føjet til kandidatlisten.

I overensstemmelse med ovenstående skal vi meddele dig, at visse mekaniske komponenter i produktet kan indeholde blymetal. Dette er i overensstemmelse med den gældende lovgivning om stofbegrænsning og baseret på legitime undtagelser i RoHS-direktivet (2011/65/EU). Blymetal lækker og muterer ikke fra produktet ved normal brug, og koncentrationen af blymetal i det komplette produkt ligger langt under den gældende grænseværdi. Tag hensyn til lokale krav vedrørende bortskaffelse af bly ved slutningen af produktets levetid.

Regionale krav

⚠ ADVARSEL

Dette produkt kan udsætte dig for kemikalier og bly, som af staten Californien regnes for at være kræftfremkaldende og kan føre til fosterskader og andre reproduktionsskader. For yderligere oplysninger, gå til

<https://www.p65warnings.ca.gov/>

Sikkerhed

KASSÉR IKKE DETTE - GIV DET TIL BRUGEREN

⚠ ADVARSEL Læs alle sikkerhedsadvarsler, anvisninger, illustrationer og specifikationer, der følger med dette maskinværktøj.

Hvis nogen af instruktionerne ikke følges, kan det føre til elektrisk stød, brand og/eller alvorlige kvæstelser.

Gem alle advarsler og instruktioner til fremtidig brug.

⚠ ADVARSEL Alle lokalt gældende sikkerhedsforskrifter omhandlende installation, drift og vedligeholdelse skal altid overholdes.

Anvendelseserklæring

- Kun til professionel brug.
- Dette produkt og produktets tilbehør må ikke modificeres på nogen måde.
- Dette produkt må ikke bruges, hvis det er beskadiget.
- Hvis mærkaterne om produktdata eller advarsler på værktøjet ikke længere kan læses eller falder af, skal der straks sættes nye på.
- Produktet må kun installeres, betjenes og serviceres af en kvalificeret person i et industriområde.

Tilsigtet brug

Dette produkt er konstrueret til fjernelse af materialer ved brug af slibemidler. Ingen anden anvendelse er tilladt.

Produktspecifikke instrukser

Betjening

Krav til luftforsyning

1. Forsyn værktøjet med ren, tør luft med et maksimaltryk på 90 psi (6,3 bar). Højere tryk reducerer værktøjets levetid dramatisk.
2. Tilslut værktøjet til luftledningen med de størrelser på rør, slange og fittings som viset i *skema 3*.

Installation/drift

1. Løsn sikkerhedsskruen, installer skæreskiven mellem de to flanger, spænd sikkerhedsskruen, sørg for at skæreskiven er forsvarligt fastgjort på værktøjet.
2. Tilslut værktøjet som vist på *skema 3*.

3. Træk i sikkerhedshåndtaget (2) og tryk på gashåndtaget (1) for at starte værktøjet. Forøg maskinens hastighed ved at øge trykket på gashåndtaget (1). *Se skema 2*.
4. Slip gashåndtaget (1) for at stoppe værktøjet. *Se skema 1*.

Position af drejehoved

Se skema 4.

1. Stands værktøjet.
2. Skub låsemanchetten (2) fremad.
3. Flyt værktøjshovedet op eller ned (3) eller tilbage til normal position. *Se skema 1*.
4. Frigør låsemanchetten (4). Låsemanchetten vender tilbage til originalpositionen. *Se skema 1*.

⚠ ADVARSEL

- ▶ Værktøjet må ikke startes hvis værktøjshovedet ikke er låst.
- ▶ Undgå fingerskader ved at holde fingrene væk fra de mekaniske dele mens flekshovedet betjenes,
- ▶ Sørg for at holde fast ved kanten omkring de mekaniske dele hver gang flekshovedet justeres. Hvis man ikke er opmærksom, kan fingrene blive fanget i mekanismen.

Ændring af rotationsretning.

Se skema 5.

1. Stands værktøjet.
2. Drej knappen (1) til F eller R for henholdsvis frem og bak.
3. Start værktøjet igen.

Efter afsluttet arbejde

⚠ ADVARSEL Afbrydelsen kan ikke vare længere end 5 sekunder.

- ▶ Kontroller, at værktøjet er slukket og standset helt, før det lægges ned.
- ▶ Standsningstiden afhænger af det anvendte slibemiddel.

Læg værktøjet forsigtigt ned for at sikre at det ikke starter af sig selv.

Reparation og vedligeholdelse

Smøring

Brug et smøremiddel til luftledning med SAE #10 olie, justeret til to (2) dråber pr. minut.

Vedligeholdelsesanvisninger

- Følg landets miljølovgivning angående sikker håndtering og bortskaffelse af alle komponenter.
- Vedligeholdelses- og reparationsarbejde skal udføres af kvalificeret personale som kun bruger originale reservedele. Kontakt fabrikanten eller din nærmeste autoriserede forhandler for rådgivning om teknisk service, hvis du skal bruge reservedele.

- Sørg altid for, at maskinen er frakoblet energikilden for at undgå utilsigtet betjening.
- Adskil og efterse værktøjet hver tredje måned hvis det bruges hver dag. Udskift defekte eller slidte dele.
- Følgende servicesæt anbefales for at holde nedetiden til et minimum: **Tuningssæt**

Bortskaffelse

- Følg landets lovgivning ved bortskaffelse af dette materiel.
- Alt beskadiget, stærkt slidt eller forkert funktionerende udstyr **SKAL TAGES UD AF DRIFT**.

Generelle sikkerhedsanvisninger

i Yderligere sikkerhedsinformation vedrørende transportabelt pneumatisk værktøj:

- CAGI 2528 - B186.1, SAFETY CODE FOR PORTABLE AIR TOOLS (sikkerhedskode for transportabelt pneumatisk værktøj), kan indhentes hos Global Engineering Documents på <https://global.ihs.com/> eller ved telefonisk henvendelse på tlf.: +1 800 447-2273. Hvis du skulle have problemer med at indhente ANSI-standarder, bedes du kontakte ANSI via <https://www.ansi.org/>

Faremoment: trykluft og tilslutning

- Luft under tryk kan forårsage alvorlig tilskadecomst.
- Sluk altid for lufttilførslen, tag trykket af slangen, og kobl værktøjet fra, når det ikke benyttes og der skiftes tilbehør eller foretages reparation.
- Vend aldrig luft mod dig selv eller andre.
- Piskende slanger kan forårsage alvorlig personskade. Inspicér altid for beskadigede og løse slanger og fittings.
- Brug ikke lynafbrydelseskoblinger på værktøjet. Se instruktionerne vedr. korrekt montering.
- Når der benyttes universalspiralkoblinger, skal der være installeret låsestifter.
- Lufttrykket må aldrig overstige 6,3 bar/90 psig, eller som angivet på værktøjets fabriksskilt.

Brug af hjulafskærmning

- Den anbefalede slibeskive-afskærmning skal altid anvendes for at reducere risikoen for personskade, der kan forårsages af beskadigede slibeskivedele.
- Hvis en afskærmning har modstået en hjulbeskadigelse, må den ikke længere anvendes. Den kan være blevet beskadiget.
- Placér afskærmningen mellem slibeskiven og operatøren.
- Beskyt andre mod slibeskive-brudstykker og slibegnister ved hjælp af afspærringer.

Indviklingsfare

- Hold afstand til drivspindel og slibemateriale. Rotationen kan fortsætte i adskillige sekunder, efter at hastighedsreguleringen er blevet udløst. Værktøjet må ikke lægges ned, før rotation er stoppet.

- Man kan blive kvalt, skalperet og/eller sønderrevet, hvis løstsiddende tøj, handsker, smykker, halsklude og hår ikke holdes væk fra værktøj og tilbehør.

Fare for udslyngede genstande

- Hvis tilbehøret, slibemidlet eller arbejdsemnet svigter, kan der genereres højhastighedsprojektiler. Slibegnister og selv små udslyngede genstande kan lædere øjne og forårsage blindhed.
- Brug altid slagfast øjen- og ansigtsværn under arbejdet samt ved reparation eller vedligeholdelse af værktøjet eller udskiftning af tilbehør på værktøjet.
- Kontroller at alle i området bærer slagfast øjen- og ansigtsbeskyttelse
- Hvis en slibeskive brister, kan den forårsage alvorlig personskade eller dødsfald.
- Slibehastigheden skal måles dagligt med et tachometer for at sikre, at den ikke er større end de omdrejninger pr. minut (RPM), som er anført på slibeskiven.
- Man må aldrig bruge en slibeskive, som er afmærket med en hastighed, der er lavere end slibemaskinens hastighed.
- Brug det medfølgende værktøj til at sikre at slibemidlet er sikkert fastgjort på sliberen. Flanger skal være fri for grater og revner samt have flade opspændingsflader. Spindler og spindelgevind må ikke være beskadigede eller slidte.
- Sørg for, at arbejdsemnet sidder sikkert fast.

Faremoment: Tilbehør

- Sluk altid luftforsyningen, tag lufttrykket af slangen, og tag luftforsyningen af værktøjet, før tilbehør udskiftes.
- Kun de anbefalede slibematerialestørrelser og -typer må anvendes.
- Hjul med skår eller revner må ikke anvendes, ej heller hjul, som er blevet tabt.
- Korrekt montering af slibeskiven er absolut nødvendig for at forebygge personskade på grund af beskadigede skiver.
- Undgå fejltilpasning mellem grove gevind og metriske gevind.
- Slibeskiver skal passe frit på spindlen for at undgå stress ved hullet. Der må ikke anvendes reduktionsbøsninger til montering af slibeskiver med store huller.
- Kun de skivekraver, som leveres med slibemaskinen, må anvendes ved montering af slibeskive. Flade spændeskiver eller andre mellemstykker kan overbelaste skiven. Kraftige trækpapirskiver skal altid placeres mellem skivekraverne og slibeskiven.
- Hvis der leveres flere flanger til forskellige størrelser og typer slibeskiver, skal man altid montere den/de korrekte flange(r) til den slibeskive som anvendes.
- Ved montering af kopper, kegler eller propper med gevindskårne huller, må spindelenden ikke berøre bunden af hullet, da det vil belaste slibeskiven.
- Stram skiven fast på spindelen for at forhindre spin-off, når der slukkes for slibemaskinen.

- Afprøv slibeskiven inden alibning ved at køre værktøjet på maks. hastighed. Sørg for, at der anvendes en afspærring (som f.eks. under et tungt arbejdsbord), for at standse eventuelt beskadigede skivedele. Stop omgående, hvis der forekommer for stor vibration.

Driftsfarer

- Operatører og reparationspersonale skal være fysisk i stand til at håndtere det elektriske værktøj med hensyn til størrelse, vægt og kraft.
- Hold værktøjet korrekt: vær parat til at modvirke almindelige eller pludselige bevægelser – hold begge hænder fri.
- Du kan skære eller brænde dig, hvis du kommer i berøring med tilbehør, slibegnistre eller emnefladen. Undgå denne form for kontakt, og brug beskyttelsesudstyr som f.eks. handsker, forklæde og hjelm.
- Undgå at skiven sætter sig fast ved afskæring. Understøt arbejdsstykket på begge sider af skærelinjen for at forhindre at skiven sætter sig fast. Hvis dette alligevel skulle ske, skal hastighedsreguleringen udløses, og skiven frigøres. Kontrollér at skiven ikke er blevet beskadiget, og sørg for at den er fastgjort korrekt før der fortsættes.
- Man må aldrig bruge kapskiver til sideslibning.
- Slibegnistre kan antænde tøj og forårsage svære forbrændinger. Sørg for at gnisterne ikke kan lande på tøj. Brug brandhæmmende tøj, og stil en spand vand i nærheden.
- Der er risiko for elektrostatisk udladning, hvis værktøjet bruges på plastik og andre ikke-ledende materialer.
- Der udslynges gnister i den modsatte retning når rotationsretningen ændres.
- Operatøren udsættes for modsatrettet reaktionskraft når rotationsretningen ændres.

Fare forbundet med gentagne bevægelser

- Når der anvendes elektrisk værktøj til at udføre arbejdsrelaterede aktiviteter, vil brugeren muligvis føle ubehag i hænder, arme, skuldre, nakke og andre dele af kroppen.
- Indtag en bekvem stilling, mens der bevares et godt fodfæste og undgå akavede eller ubalancerede stillinger. Det kan hjælpe at skifte stilling ved langvarige opgaver for at forebygge ubehag og træthed.
- Lad ikke symptomer som f.eks. vedvarende eller tilbagevendende ubehag, smerte, dunken, irritation, prikken, følelseløshed, brændende fornemmelse eller stivhed gå upåagtet hen. Hold op med at bruge værktøjet, informér din arbejdsgiver, og tal med en læge.

Støj- og vibrationsfarer

- Høje lydniveauer kan give permanent høretab og andre problemer som f.eks. tinnitus. Der skal altid bruges hørevern, som anbefalet af din arbejdsgiver eller i gældende arbejdsmiljøbestemmelser.
- Udsættelse for vibrationer kan forårsage invaliderende skade på nerverne og hæmme blodforsyningen til hænder og arme. Brug varmt tøj, og hold hænderne varme og tørre. Hvis der opstår følelseløshed, snurren eller smerter, eller huden bliver hvid, skal man ophøre med at bruge værktøjet, informere sin arbejdsgiver og søge lægehjælp.

- Hold værktøjet i et let men sikkert greb, da risikoen for vibration generelt er større, når gribekraften er højere. I det omfang det er muligt, understøttes værktøjets vægt med en balancer.
- For at undgå en stigning i støj- og vibrationsniveauerne:
 - Betjenes og vedligeholdes værktøjet, og tilbehør og forbrugsvarer vælges, vedligeholdes og udskiftes iht. denne instruktionsbog.
 - Brug dæmpningsmaterialer til at forebygge at arbejdsstykkerne "ringer."

Farer på arbejdspladsen

- En af de hyppigste årsager til alvorlig og livsfarlig personskade er at man glider, snubler eller flader. Vær opmærksom på slanger der er efterladt på gulvet.
- Undgå indånding af støv eller håndtering af affald fra de arbejdsprocesser, som kan være skadelige for dit helbred (f.eks. cancer, fostermisdannelser, astma og/eller dermatitis). Brug et udsugningsanlæg, og brug beskyttende respirationsudstyr, når du arbejder med materialer, der frembringer luftbårne partikler.
- En del støv, som frembringes ved pudning, savning, slibning, boring og andre byggeaktiviteter indeholder kemikalier, hvorom delstaten Californien ved, at de forårsager cancer, fostermisdannelser og anden reproduktiv skade. Nogle eksempler på sådanne kemikalier er:
 - Bly fra blyholdig maling
 - Silikatkrystalholdige mursten, cement og andre murværksprodukter
 - Arsenik og krom fra kemisk behandlet gummi
 Risikoen ved udsættelse for disse stoffer varierer, afhængigt af hvor ofte du udfører denne slags arbejde. Du kan mindske udsættelse for disse kemikalier ved at gøre følgende: Udfør arbejdet i et område med god ventilation og brug godkendt sikkerhedsudstyr såsom støvmasker, der er specielt godkendt til at bortfiltrere mikroskopiske partikler.
- Udvis forsigtighed i ukendte omgivelser. Skjulte faremomenter så som elektricitet eller andre forsyningslinjer kan forekomme.
- Støv og dampe fra pudning og slibning kan skabe en potentielt eksplosiv atmosfære. Brug udsugningsudstyr eller andre støvhæmmende foranstaltninger, som er hensigtsmæssige for det materiale, der bearbejdes.
- Dette værktøj er ikke beregnet til brug i potentielt eksplosive atmosfærer, og er ikke isoleret mod kontakt med elektrisk strøm.

Nyttig information

Oprindelsesland

Taiwan

Website

Information om vores produkter, tilbehør, reservedele og publikationer kan findes på vores websted for Rodcraft.

Gå ind på: www.rodcraft.com.

Sikkerhetsdatasæt

Sikkerhetsdatabladet inneholder beskrivelser af kemiske produkter leveret af Rodcraft.

Se websiden tilhørende Rodcraft for yderligere opplysninger på qr.cp.com/sds.

Copyright

© Copyright 2023, Desoutter GmbH, Edmund-Seng-Str. 3-5, 63477 Maintal, Germany

Alle rettigheter forbeholdes. Al uautoriseret brug eller kopiering af indholdet eller dele deraf er forbudt. Dette gælder især varemærker, modelbetegnelser, reservedelsnumre og tegninger. Brug kun autoriserede reservedele. Al skade eller fejlfunktion som følge af brug af uautoriserede dele dækkes hverken af garantien eller produktansvaret.

Erklæringer

EU-Samsvarserklæring

Vi, **Desoutter GmbH**, Edmund-Seng-Str. 3-5, 63477 Maintal, Germany, erklærer under eget ansvar at produktet (Med navn, type og serienummer, se forsiden) er i samsvar med følgende direktiv(er):

2006/42/EC (17/05/2006)

Benyttede harmoniserte standarder:
EN ISO 11148-7 :2012

Myndigheter kan be om relevant teknisk informasjon fra:

Pascal Roussy, R&D Manager, Ets Georges Renault, 38 rue Bobby Sands, BP10273 44818 Saint Herblain, France

Saint-Herblain, 2023/01/09

Pascal ROUSSY



Underskrift

Erklæring om støy- og vibrasjonsdemping

- Lydtrykknivå 90 dB(A), usikkerhet 3 dB(A), i samsvar med EN ISO 15744.
- Lydeffektnivå 101 dB(A), usikkerhet 3 dB(A), i samsvar med EN ISO 15744.
- Total vibrasjonsverdi 4.33 m/s², usikkerhet 1.1 m/s², i samsvar med ISO-28927-4.

Disse gitte verdiene ble hentet fra laboratorietesting i samsvar med de nevnte standardene, og er egnet for sammenligning med de gitte verdiene for andre verktøy testet i samsvar med de samme standardene. Vibrasjonsnivået kan bli brukt ved forhåndsvurdering av eksponering. Disse gitte verdiene er ikke tilstrekkelig til bruk i risikovurderinger, og verdier målt ved individuelle arbeidsplasser kan være høyere. Faktiske eksponeringsverdier og risiko for skade hos en individuell bruker er unike, og disse er avhengig av måten brukeren jobber på, arbeidsstykket og arbeidsstasjonen, i tillegg til eksponeringstid og brukerens fysiske helse.

Vi, **Desoutter GmbH**, kan ikke holdes ansvarlig for konsekvensene av å benytte de erklærte verdiene, i stedet for verdier som reflekterer den faktiske eksponeringen, i en individuell risikovurdering i en situasjon på arbeidsplassen som vi ikke har kontroll over.

Dette verktøyet kan forårsake hånd-arm-vibrasjonssyndrom hvis det ikke håndteres riktig. En EU-veiledning for å administrere hånd-/armvibrasjon kan bli funnet ved å gå til <http://www.pneurop.eu/index.php>, og velge «Tools» og deretter «Legislation».

Vi anbefaler at bedriftshelsetjenesten gjennomfører et program for å avdekke tidlige tegn på vibrasjonseksponering, slik at prosedyrene kan endres for å bidra til å unngå fremtidig svekkelse.

- ⓘ Dette utstyret er ment for faste applikasjoner: Støyemisjonen gis som en veiledning for maskinbyggeren. Støy- og vibrasjonsemissionsdata for den fullstendige maskinen skal gis i instruksjonshåndboken for maskinen.

Informasjon angående artikkel 33 i REACH

Den Europeiske reguleringen (EU) Nr. 1907/2006 som gjelder registrering, evaluering, autorisasjon og restriksjon av kjemikalier (REACH) definerer, blant annet, krav relatert til kommunikasjon i leveransekjeden. Informasjonskravet gjelder også produkter som inneholder såkalte stoffer av meget høy bekymring ("Kandidatlisten"). Den 27.juni, 2018 ble blymetall (CAS nr 7439921) lagt til kandidatlisten.

I henhold med det ovenstående er dette for å informere deg om at visse mekaniske komponenter i produktet kan inneholde blymetall. Dette er i samsvar med den gjeldende lovgivningen som gjelder restriksjoner av stoffer og basert på legitime unntak i RoHS direktivet (2011/65/EU). Blymetall vil ikke lekke eller muteres fra produktet under vanlig bruk og konsentrasjonen av blymetall i det komplette produktet er godt under den gjeldende terskelgrensen. Se over lokale krav angående avhending av bly når produktets brukstid er utløpt.

Regionale krav

⚠ ADVARSEL

Dette produktet kan utsette deg for kjemikalier inkludert bly, noe den amerikanske staten California regner som kreftfremkallende, som årsak til fosterskader og på andre måter som skadelig for forplantningsprosessen. For mer informasjon besøk

<https://www.p65warnings.ca.gov/>

Sikkerhet

KAST IKKE BORT - GI TIL BRUKER

⚠ ADVARSEL Les alle sikkerhetsadvarslene, instruksjoner, illustrasjoner og spesifikasjoner som medfølger dette elektriske verktøyet.

Om man ikke følger instruksjonene under, kan det føre til elektrisk støt, brann og/eller alvorlige skader.

Ta vare på alle advarsler og anvisninger for fremtidig bruk.

⚠ ADVARSEL Alle lokale, lovbestemte sikkerhetsregler vedrørende installasjon, operasjon og vedlikehold skal overholdes til enhver tid.

Brukserklæring

- Kun til profesjonell bruk.
- Dette produktet og dets tilbehør må ikke på noen måte modifiseres.
- Ikke bruk dette produktet hvis det har blitt skadet.
- Dersom dataverktøyet eller farevarselskiltene på produktet ikke lenger er leselige eller løsner, må disse skiftes ut umiddelbart.
- Produktet må kun installeres, brukes og vedlikeholdes av en kvalifisert person i et industrielt monteringsmiljø.

Tiltenkt bruk

Dette produktet er utformet til å fjerne materiale ved bruk av slipemidler. Annen bruk er ikke tillatt.

Produktspesifikke instruksjoner

Betjening

Krav til luftforsyning

1. Tilfør ren, tørr luft med 90 psig (6,3 bar) til verktøyet. Høyere trykk reduserer verktøyets levetid drastisk.
2. Koble verktøyet til luftledningen ved hjelp av rør-, slange- og koblingsstørrelsene vist i *skjema 3*.

Installasjon / Bruk

1. Løsne sikkerhetsskruen, installer skjæreskiven mellom to flenser, stram sikkerhetsskruen, sørg for at skjæreskiven er festet ordentlig til verktøyet.
2. Koble til enhet som vist på *skjema 3*.
3. For å starte verktøyet, trekk i sikkerhetsspaken (2) og trykk på gasspaken (1). Øk maskinens hastighet ved å øke trykket på gasspaken (1). *Se skjema 2*.
4. Slipp gasspaken (1) for å stoppe verktøyet. *Se skjema 1*.

Skruehodeposisjon

Se Skjema 4

1. Stans verktøyet.
2. Skyv frem låsehylsen (2).
3. Endre posisjonen til verktøyhodet opp eller ned (3), eller tilbake til normal posisjon. *Se skjema 1*.
4. Slipp opp låsemutteren (4). Låsehylsen kommer tilbake til sin opprinnelige posisjon. *Se Skjema 1*

⚠ ADVARSEL

- ▶ Ikke start verktøyet hvis verktøyhodet ikke er låst.
- ▶ Unngå skader på fingrene ved å holde fingrene unna mekanismene når du bruker bøyningshodet.
- ▶ Sørg for å holde fast i mekanismens kant hver gang flexhodet justeres. Fingre fanget av mekanismen kan oppstå uten å ta hensyn.

Endre rotasjonsretningen

Se Skjema 5

1. Stans verktøyet.
2. Vri knappen (1) til 'F' eller 'R' for henholdsvis forover og bakover rotasjon.
3. Start verktøyet på nytt.

Etter at arbeidet er fullført

⚠ ADVARSEL Stoppetiden kan være lenger enn 5 sekunder.

- ▶ Se til at verktøyet er slått av og har stoppet helt før det legges ned.
- ▶ Stoppetiden avhenger av slipemiddelet som brukes.

Sett ned verktøyet forsiktig for å sikre at verktøyet ikke starter av seg selv/av seg selv.

Service og Vedlikehold

Inspeksjon

Bruk luftlinjesmøring med SAE #10-olje, justert til to (2) dråper per minutt.

Vedlikeholdsinstruksjoner

- Følg miljøbestemmelsene i det lokale landet for sikker håndtering og avhending av alle komponenter.
- Vedlikehold og reparasjonsarbeid må kun utføres av kvalifisert personell som kun benytter originale reservedeler. Kontakt produsenten eller din nærmeste autoriserte forhandler for veiledning eller teknisk service dersom du trenger reservedeler.
- Sørg alltid for at maskinen er frakoblet strømtilførselen for å unngå driftsulykker.
- Demonter og inspiser verktøyet hver 3. måned hvis verktøyet brukes hver dag. Erstatt skadede eller slitte deler.
- For å holde nedetiden til et minimum, anbefales følgende servicesett: **Tune-up kit**

Avhending

- Lovverket i det respektive landet må følges for avhending av dette utstyret.
- Alle skadede, slitte eller feilfungerende enheter **MÅ TAS UT AV DRIFT**.

Generelle sikkerhetsinstruksjoner

ⓘ Tilleggsinformasjon angående bærbare lufttrykksverktøy:

- CAGI 2528 - B186.1, SIKKERHETSKODE FOR BÆRBARE LUFTTRYKKSVERKTØY, tilgjengelig fra Global Engineering Dokumenter på <https://global.ihs.com/> eller ring +1 800 447-2273. Ta eventuelt kontakt med ANSI via <http://www.ansi.org/> hvis det er vanskelig å få tak i ANSI standarder.

Farer forbundet med trykkluftbeholdere og -koblinger

- Luft under trykk kan forårsake alvorlige helseskader.

- Før du skifter tilbehør eller utfører reparasjoner, eller når trykkluftskilden ikke brukes, skal lufttilførselen alltid stenges av, trykk i slangen skal elimineres og verktøyet skal koples fra lufttilførselen.
- Rett aldri trykkluftstrålen mot deg selv eller andre.
- Slinger som slår tilbake kan forårsake alvorlig skade. Kontroller alltid for skadde eller løse slanger og koblingsdeler.
- Bruk aldri koblinger med hurtigutløser på verktøyet. Se instruksjonene for riktig monteringsmetode.
- Dersom man bruker universal vrikoblinger, skal en låsepinne er installert.
- Det maksimale lufttrykket må ikke overstige 6,3 bar/90 psig, eller som angitt på verktøyets typeskilt.

Bruk av skivevern

- Bruk alltid anbefalt vern for slipeskive for å redusere faren for skade fra deler på slipeskiven som går i stykker.
- Hvis et vern skulle bli utsatt for skivebrudd, må du slutte å bruke det. Det kan være skadet.
- Vern for slipeskive skal plasseres mellom slipeskive og operatør.
- Bruk barrierer for å beskytte andre mot gnister og bruddstykker fra slipeskiven.

Farer med sammenflokking

- Hold deg unna drivspindler og slipeskiver som roterer. Rotasjon kan fortsette i flere sekunder etter at trottelhåndtaket har blitt utløst. Legg ikke verktøyet ned før det har stoppet å rotere.
- Kveling/skalpering og/eller sår kan oppstå hvis løse klær, hansker, smykker, halskleder og hår ikke holdes unna verktøy og tilbehør.

Farer forbundet med prosjektiler

- Feil på tilbehør, slipende eller arbeidsstykket kan skape prosjektiler med høy hastighet. Slipegnister og selv små prosjektiler kan skade øynene og forårsake blindhet.
- Bruk alltid slagfast øye- og ansiktsbeskyttelse under bruk, reparasjon eller vedlikehold av verktøyet eller når du skifter tilbehør på verktøyet.
- Sørg for at alle i området har på seg støtsikker øye- og ansiktsbeskyttelse.
- En slipeskive som springer i stykker kan forårsake alvorlige personskader eller døden.
- Hastigheten på luftdrevet slipemaskin skal måles daglig med tachometer for å være sikker på at hastigheten ikke er større enn merket omdr/min. på slipeskiven.
- Bruk aldri en slipeskive merket med lavere hastighet enn luftsliperen.
- Ved hjelp av verktøyene som følger med, sørg for at slipemidlet er sikkert klemt til slipen. Flensene må være fri for hakk og sprekker og ha flate klemoverflater. Spindlene og spindelgjengene må ikke være skadet eller slitt.
- Se til at arbeidsstykket er godt festet.

Farer forbundet med tilbehøret

- Steng alltid lufttilførselen, eliminer trykket i slangen og kople verktøyet fra trykkluftkilden når du skal skifte tilbehør.
- Bruk kun slipeskiver som har anbefalt størrelse og som er av riktig type.
- Bruk ikke slipeskiver som har sprekker eller hvor deler av slipeskiven er borte, eller slipeskiver som har falt i golvet.
- Korrekt montering av slipeskiven er nødvendig for å unngå skader fra ødelagte hjul.
- Unngå feiltilpassing mellom UNC og metriske skruegjenger.
- Slipeskiven skal sitte fritt på spindelen uten spenning for å unngå belastning på senterhullet. Det skal ikke brukes reduksjonsstykker for montering av slipeskiver med større senterhull.
- Bruk kun de flensene som følger med slipemaskinen for montering av slipeskiver. Flate underlagsskiver eller andre adaptere kan skape for mye belastning på slipeskiven. Bruk alltid ekstra sterke underlagsskiver av papir mellom flensene og slipeskiven.
- Hvis flere flenser leveres for å passe til ulike størrelser og typer slipeskiver, monter alltid riktige flenser for den slipeskiven som brukes.
- Ved montering av kopper, kjegler eller plugger med gjengede hull, må spindelenden ikke komme i kontakt med bunnen av hullet, da dette vil slite på slipeskiven.
- Skru slipeskiven godt til slik at den ikke løsner når den luftdrevne slipemaskinen slås av.
- Test slipeskiven før sliping ved å kjøre verktøyet på full gass. Vær sikker på at det brukes barriere (slik som under et tungt arbeidsbord) for å stoppe evt. bruddeler i flukt. Stopp øyeblikkelig hvis det blir for sterk vibrasjon.

Farer under drift

- Operatører og vedlikeholdspersonell må være i fysisk stand til å behandle størrelsen, vekten og styrken av verktøyet.
- Hold verktøyet på korrekt måte: Vær klar til å reagere på normale eller plutselige bevegelser - ha begge hendene tilgjengelige.
- Du kan skjære deg eller brenne deg hvis du kommer borti tilbehør, slipegnister eller arbeidsbenk. Unngå kontakt og bruk verneutstyr som hansker, fangskinn og hjelm.
- Unngå at skiven kiler seg fast under kapping. Arbeidsstykket skal støttes på begge sider av kappelinjen for å unngå at skiven kiler seg fast. Hvis det forekommer fastklemming, utløs trottelen og lirk kappeskiven ut av arbeidsstykket. Sjekk at kappeskiven er uskadd og at den fremdeles er tilskrudd før du fortsetter.
- Bruk aldri en slipeskive som er beregnet til kapping for å foreta vinkelsliping.
- Slipegnister kan tenne klær og forårsake alvorlige forbrenninger. Se til at gnister ikke lander på klær. Bruk brannresistente klær og ha en bøtte med vann i nærheten.
- Det kan oppstå en elektrostatisk utladning dersom verktøyet brukes på plast eller andre ikke-ledende materialer.

- Det fører til at gnister støtes ut i motsatt retning når rotasjonsretningen endres.
- Det forårsaker en motsatt reaksjonskraft til operatøren når rotasjonsretningen endres.

Repeterende bevegselsfarer

- Ved bruk av et elektrisk verktøy til å utføre arbeidsrelaterte aktiviteter kan operatøren oppleve ubehag i hender, armer, skuldre, nakke eller andre deler av kroppen.
- Innta en behagelig posisjon mens du beholder godt fotfeste og unngår en upraktisk eller ubalansert stilling. Hvis du skifter stilling under langvarige oppgaver, kan dette hjelpe deg til å unngå ubehag og tretthet.
- Ikke ignorer symptomene, slik som vedvarende eller tilbakevendende ubehag, smerte, pulserende, verkende, prikkende, nummende, brennende følelse eller stivhet. Stopp bruken av verktøyet, gi arbeidsgiveren din beskjed og oppsøk lege.

Støy- og vibrasjonsfarer

- Høye lydnivåer kan forårsake varig hørselstap og andre problemer, slik som tinnitus. Bruk hørselsvern som anbefalt av arbeidsgiver eller helse- og sikkerhetsforskrifter på arbeidsplassen.
- Vibrasjoner kan forårsake uferhetsskader på nerver og hindre blodtilførselen til hender og armer. Bruk varme klær og hold hender varme og tørre. Hvis det oppstår nummenhet, prikking, smerte eller fargetap i huden, skal du slutte å bruke verktøyet, gi beskjed til din arbeidsgiver og kontakte lege.
- Hold verktøyet i et lett, men trygt grep, fordi risikoen fra vibrasjonen generelt sett er større når grepskraften er høyere. Der det er mulig, støtt vekten til verktøyet med en balanseinnretning.
- For å unngå unødvendige økninger i støy- og vibrasjonsnivåer:
 - Sørg for at bruk og vedlikehold av verktøyet, samt utvalg, vedlikehold og utskriftning av tilbehør og forbruksvarer, skjer i henhold til denne bruksanvisningen.
 - Bruk dempende materialer for å forhindre at arbeidsstykkene "ringer".

Farer på arbeidsplassen

- Å skli/snuble/falle er en hyppig årsak til alvorlig skade eller død. Vær oppmerksom på overfløidige deler av slangen på bakken der man går eller arbeider.
- Unngå å puste inn støv eller damp og å håndtere helseskadelige avfallsprodukter fra arbeidsprosessen (som kan forårsake for eksempel kreft, fødselsdefekter, astma og/eller dermatitt). Bruk støvavsug og pusteutstyr når du arbeider med materialer som avgir luftbårne partikler.
- Enkelte typer støv som frigjøres ved sandblåsing, saging, sliping, boring og andre byggeaktiviteter inneholder kjemikalier som den amerikanske staten California regner som kreftfremkallende, som årsak til fosterskader og på andre måter skadelig for forplantningsprosessen. Dette er noen eksempler på slike kjemikalier:
 - Bly fra blyholdig maling

- Blokker av krystallinsilika, sement og andre murprodukter
- Arsenikk og krom fra kjemikaliebehandlet gummi

Den helsefaren som utgår fra slike produkter varierer, avhengig av hvor ofte du utfører denne type arbeid. For å redusere din eksponering for disse kjemikalierne: Jobb alltid på et godt ventilert område, bruk godkjent sikkerhetsutstyr som f.eks. støvmasker som er spesielt utviklet for å filtrere bort mikroskopiske partikler.

- Gå varsomt frem i uvante omgivelser. Skjulte farer som elektrisitet eller andre ledninger kan finnes.
- Potensielt eksplosive atmosfærer kan forårsakes av støv og damper som skyldes sandblåsing eller sliping. Bruk et støvavtrekk eller undertrykkssystem som egner seg for det materialet som behandles.
- Verktøyet er ikke beregnet til bruk i en potensielt eksplosiv atmosfære og er ikke isolert fra å komme i kontakt med elektrisk strøm.

Nyttig informasjon

Opphavsland

Taiwan

Nettsider

Du finner informasjon vedrørende produkter, tilbehør, reservedeler og publiserte saker på Rodcraft-nettstedet.

Besøk siden: www.rodcraft.com.

Sikkerhetsdatablad

Sikkerhetsdatabladet beskriver de kjemiske produktene solgt av Rodcraft.

Vennligst se Rodcraft nettsider for mer informasjon qr.cp.com/sds.

Opphavsrett

© Copyright 2023, Desoutter GmbH, Edmund-Seng-Str. 3-5, 63477 Maintal, Germany

Alle rettigheter forbeholdes. All uautorisert bruk eller kopiering av innholdet eller en del av dette er forbudt. Dette gjelder spesielt for varemerker, modellbetegnelser, delenumre og tegninger. Bruk kun autoriserte deler. Skader eller feilfunksjoner som forårsakes av bruk av uautoriserte deler, dekkes ikke av garantien eller produktansvaret.

Vakuutukset

EU-vaatimusten mukaisuusvakuutus

Me, **Desoutter GmbH**, Edmund-Seng-Str. 3-5, 63477 Maintal, Germany, vakuutamme yksinomaissella vastuullamme, että tuote (nimi, tyyppi ja sarjanumero, katso etusivu) on yhdenmukainen seuraavien direktiivien kanssa:

2006/42/EC (17/05/2006)



Sovelletut yhdenmukaistetut standardit:

EN ISO 11148-7 :2012

Viranomaiset voivat pyytää asiaan liittyvät tekniset tiedot seuraavasta osoitteesta:

Pascal Roussy, R&D Manager, Ets Georges Renault, 38 rue Bobby Sands, BP10273 44818 Saint Herblain, France

Saint-Herblain, 2023/01/09

Pascal ROUSSY

Allekirjoitus



Melu- ja värinädirektiivin selonteko

- Äänenpainetaso 90 dB(A), mittausepävarmuus 3 dB(A), EN ISO 15744 -standardin mukaisesti.
- Äänentehotaso 101 dB(A), mittausepävarmuus 3 dB(A), EN ISO 15744 -standardin mukaisesti.
- Kokonaistärinäntaso 4.33 m/s², mittausepävarmuus 1.1 m/s², ISO-28927-4 -standardin mukaisesti.

Ilmoitetut arvot on saatu mainittujen standardien mukaisessa laboratoriotyypisessä testauksessa ja ne soveltuvat toisten samojen standardien mukaan testattujen työkalujen ilmoitettujen arvojen keskinäiseen vertailuun. Tärinäpäästötasoa voidaan käyttää altistumisen alustavassa arvioinnissa. Ilmoitetut arvot eivät ole riittäviä käytettäväksi riskiarvioiteihin, ja eri työpaikoilla mitatut arvot saattavat olla korkeampia. Yksittäisen käyttäjän kokemat todelliset altistumisarvot ja haittariski ovat ainutkertaisia ja riippuvat käyttäjän työskentelytavasta, työkappaleesta ja työasemasta samoin kuin käyttäjän altistumisajasta ja fyysisestä kunnosta.

Me, **Desoutter GmbH**, emme ole vastuussa ilmaistujen arvojen käytöstä syntyvistä seuraamuksista, todellista altistumista vastaavien arvojen sijaan, työpaikan tilanteen yksittäisessä riskiarvioinnissa, jota emme voi hallita.

Tämä työkalu voi aiheuttaa käsien ja käsivarsien täriseistä, jos sitä ei käytetä oikealla tavalla. Käsitärinää (hand-arm vibration) koskeva EU-opas löytyy osoitteesta <http://www.pneurop.eu/index.php> valitsemalla ”Tools” ja sitten ”Legislation”.

Suosittamme säännöllisiä terveystarkastuksia tärinäaltistuksen aiheuttamien, tärinänsairauteen viittaavien oireiden havaitsemiseksi ajoissa, jotta työnohjauksella ja työympäristöön vaikuttavilla toimilla voidaan estää oireiden paheneminen tulevaisuudessa.

- ⓘ Jos tämä laite on tarkoitettu kiinteisiin sovelluksiin: Melupäästöarvot ovat ohjeellisia koneenrakentajaa varten. Koko koneen melu- ja värinäpäästötiedot on ilmoitettava koneen käyttöohjeessa.

Tietoa REACH-asetuksen artiklasta 33

Euroopan REACH-asetus (EU) N:o 1907/2006 kemikaalien rekisteröinnistä, arvioinnista, lupamenettelyistä ja rajoituksesta määrittelee muun muassa toimitusketjun viestintään liittyviä velvoitteita. Tiedonantovelvoite koskee myös tuotteita, jotka sisältävät niin sanottuja erityistä huolta aiheuttavia aineita (ns. ehdokasluettelon aineita). 27. kesäkuuta 2018 tähän ehdokasluetteloon lisättiin lyijymetalli (CAS-numero 7439-92-1).

Yllä olevan mukaisesti haluamme ilmoittaa, että jotkut mekaaniset komponentit tuotteessa saattavat sisältää lyijymetallia. Tämä on aineiden rajoittamista koskevan lainsäädännön mukaista ja perustuu RoHS-direktiivin (2011/65/EU) poikkeuksiin. Lyijymetalli ei vuoda eikä mutatoitu tuotteesta normaalin käytön aikana, ja lyijymetallipitoisuus valmiissa tuotteessa on huomattavasti alle sovellettavan kynnsarvon. Ota huomioon paikalliset vaatimukset lyijyn hävittämiselle tuotteen käyttöänsä lopussa.

Alueelliset vaatimukset

⚠ VAROITUS

Tuote voi altistaa käyttäjän kemikaaleille, kuten lyijylle, jonka Kalifornian osavaltiossa tiedetään aiheuttavan syöpää ja synnynnäisiä epämuodostumia tai muuta lisääntymishaittaa. Katso lisätietoja osoitteesta

<https://www.p65warnings.ca.gov/>

Turvallisuus

ÄLÄ HÄVITÄ – ANNETTAVA KÄYTTÄJÄLLE

⚠ VAROITUS Lue tämän sähkötyökalun mukana toimitetut kaikki turvallisuusvaroitukset, ohjeet, kuvaukset ja tekniset tiedot.

Jos kaikkia alapuolella kuvattuja ohjeita ei noudateta, seurauksena voi olla sähköisku, tulipalo ja/tai vakava henkilövahinko.

Säilytä kaikki varoitukset ja ohjeet myöhempää käyttöä varten.

⚠ VAROITUS Kaikkia paikallisia turvallisuusohjeita koskien asennusta, käyttöä ja huoltoa on aina noudatettava.

Käyttötiedote

- Vain ammattikäyttöön.
- Tätä tuotetta ja sen lisälaitteita ei saa muuttaa millään tavalla.
- Älä käytä tuotetta, jos se on vaurioitunut.
- Jos tuotteen tietojen tai vaarasta varoittavat kyltit eivät ole enää selvästi luettavissa tai irtoavat, ne on vaihdettava välittömästi.
- Vain pätevä henkilö saa asentaa, käyttää ja huoltaa tuotetta teollisuusympäristössä.

Tarkoituksenmukainen käyttö

Tämä tuote on tarkoitettu materiaalien poistoon hiontamateriaaleja käyttämällä. Muut käyttötavat ovat kiellettyjä.

Tuotekohtaiset ohjeet

Käyttäminen

Ilmansyötön vaatimukset

1. Syötä työkaluun puhdasta, kuivaa ilmaa, 90 psig (6,3 bar). Korkeampi paine lyhentää työkalun ikää huomattavasti.
2. Liitä työkalun ilmansyöttö putkella, letkulla ja liittimillä, koot näkyvät kaaviossa 3.

Asennus/Käyttö

1. Löysää turva, asenna leikkuulaikka laippojen väliin, kiristä turvaruuvi ja varmista, että leikkuulaikka on kiinnitetty työkaluun oikein.
2. Liitä työkalu kaavion 3 mukaisesti.
3. Käynnistä työkalu vetämällä turvaliipaisimesta (2) ja työntämällä kaasuvipua (1). Lisää koneen nopeutta lisäämällä painetta kaasuvivussa (1). Katso kaavio 2.
4. Vapauta kaasuvipu (1) pysäyttääksesi työkalun. Katso kaavio 1.

Pään asennon kääntäminen

Katso kaavio 4

1. Pysäytä työkalu.
2. Työnnä lukitushylsyä (2) eteenpäin.
3. Vaihda työkalun paikkaa ylös tai alas (3) tai takaisin normaaliin asentoon. Katso kaavio 1.
4. Vapauta lukitushylsy (4). Lukitushylsy palaa takaisin alkuperäiseen paikkaansa. Katso kaavio 1

VAROITUS

- ▶ Älä käynnistä työkalua, työkalun päätä ei ole lukittu.
- ▶ Vältä sormien loukkaantumista pitämällä sormesi poissa mekanismeista, kun käytät flex-päätä.
- ▶ Varmista, että pidät kiinni mekanismin päästä joka kerta, kun flex-päätä säädetään. Sormet saattavat juuttua mekaniikkiin, jos et ole huolellinen.

Pyörimissuunnan vaihtaminen

Katso kaavio 5

1. Pysäytä työkalu.
2. Käännä nuppia (1) F (eteenpäin)- tai R (taaksepäin) -asentoon haluamaasi suuntaa varten.
3. Käynnistä työkalu uudelleen.

Työn päätyttyä

VAROITUS Pysähtymisaika voi olla 5 sekuntia pitempi.

- ▶ Varmista, että työkalu on sammutettu ja täysin pysähtynyt ennen sen laskemista alas.
- ▶ Pysähtymisaika riippuu käytetystä hiontamateriaalista.

Laita työkalu alas varovaisesti varmistaaksesi, että työkalu ei käynnisty itsekseen.

Huolto ja ylläpito

Voitelu

Käytä SAE #10 -öljyä ja ilmanvoitelijaa, joka on säädetty kahteen (2) pisaraan minuutissa.

Huolto-ohjeet

- **Noudata paikallisen maan ympäristömääräyksiä kaikkien komponenttien turvallista käsittelyä ja hävittämistä varten.**
- Ainoastaan pätevät henkilöt saavat suorittaa huolto- ja korjaustöitä, ja niissä tulee käyttää ainoastaan alkuperäisiä varaosia. Ota yhteys valmistajaan tai lähimpään valtuutettuun jälleenmyyjään, jos tarvittavat teknistä huoltoa koskevia neuvoja tai varaosia.
- Varmista aina, että laite on kytketty irti virtalähteestä, jotta laite käynnisty vahingossa.
- Pura ja tarkista työkalu kolmen kuukauden välein, jos sitä käytetään joka päivä. Vaihda vaurioituneet tai kuluneet osat.
- Seuraavaa huoltosarjaa suositellaan seisokkien minimoimiseen: **Virityssarja**

Hävitys

- Maasi lainsäädäntöä tulee noudattaa laitteiston hävittämisessä.
- Kaikki vahingoittuneet, erittäin kuluneet tai viallisesti toimivat laitteet **TÄYTYY POISTAA KÄYTÖSTÄ.**

Yleiset turvamääräykset

i Turvallisuuden liittyviä lisätietoja kannettavista paineilmatyökaluista:

- CAGI 2528 - B186.1, SAFETY CODE FOR PORTABLE AIR TOOLS (Paineilmatyökalujen turvallisuussäännöstö), saatavilla Global Engineering Documents -organisaatiosta osoitteesta <https://global.ihs.com/> tai numerosta +1 800 447-2273. Jos ANSI-standardien saanti osoittautuu vaikeaksi, ota yhteys ANSI:in osoitteessa <https://www.ansi.org/>

Paineilmaan ja liittäntöihin liittyvät vaarat

- Paineilma voi aiheuttaa vakavia vammoja.
- Katkaise aina ilmansyöttö, poista paine putkistosta ja irrota työkalu ilmansyöttölähteestä, kun sitä ei käytetä, ennen lisävarusteiden vaihtamista tai tehtäessä korjauksia.
- Älä koskaan suuntaa paineilmaa itseäsi tai ketään muuta kohti.
- Hallitsemattomasti liikkuvat letkut voivat aiheuttaa vakavia vammoja. Tarkasta aina, että letkut ja liittokset ovat ehjiä ja tiukasti kiinni.
- Älä käytä pikaliitoksia. Lue asennusohjeet oikean asennuksen varmistamiseksi.
- Jos käytetään yleiskäyttöisiä kierrelitoksia, niihin on asennettava lukitustapit.
- Ilmanpaine ei saa ylittää 6,3 baaria (90 psig) tai työkalun tyyppikilvessä ilmoitettua painetta.

Pyöräsuojan käyttö

- Käytä aina suositeltua laikkasuojusta, joka vähentää särkyneistä hiomalaikan osista aiheutuvien vammojen riskiä.
- Jos laikka on särkynyt suojusta käytettäessä, älä käytä suojusta uudelleen. Se voi olla vioittunut.
- Aseta suojus hiomalaikan ja käyttäjän väliin.
- Suojaa muut henkilöt laikankappaleilta ja hiontakipinöiltä sopivilla esteillä.

Kiinni takertumisen vaara

- Pysy loitolla pyörivästä karasta ja hiontamateriaalista. Pyöriminen voi jatkua useita sekunteja sen jälkeen, kun liipaisin on vapautettu. Älä laske työkalua alas, ennen kuin se lakkaa pyörimästä.
- Vaatteiden, käsineiden, korujen, solmion, huivin tai hiusten takertuminen työkaluun tai sen varusteisiin voi johtaa tukehtumiseen, päänahan irtoamiseen ja/tai syviin haavoihin.

Sinkoilevien kappaleiden aiheuttamat vaarat

- Lisävarusteen, laikkojen tai työkappaleiden vika voi luoda nopeasti lentäviä kappaleita. Hiontakipinät ja pienetkin kappaleet voivat vaurioittaa silmiä ja aiheuttaa sokeutumisen.
- Käytä aina iskunkestäviä suojalaseja ja kasvosuojusta työkalun käytön, korjauksen ja huollon aikana tai työkalun varusteiden vaihdon yhteydessä.
- Tarkista, että kaikki samalla alueella olevat käyttävät iskunkestäviä turvalaseja ja kasvosuojuksia.
- Rikkoutuva laikka voi aiheuttaa vakavan vamman tai kuoleman.
- Mittaa ilmakäyttöisen hiomakoneen nopeus takometrillä päivittäin ja varmista, ettei se ylitä hiomalaikkaan merkittyä kierrosnopeutta.
- Älä käytä hiomalaikkaa, johon merkitty nopeus on alhaisempi kuin paineilmakäyttöisen hiomakoneen nopeus.
- Varmista työkalujen avulla, että hiomalaikka on kiinnitetty hiomakoneeseen kestävästi. Laipoissa ei saa olla purseita tai halkeamia ja niiden kiinnityspintojen täytyy olla tasaiset. Karat ja karakierteet eivät saa olla vaurioituneita tai kuluneita.
- Varmista, että työstettävä kappale on kiinnitetty kunnolla.

Lisävarusteisiin liittyvät vaaratekijät

- Sammuta aina ilmansyöttö, vapauta ilmanpaine letkusta ja irrota työkalu ilmansyöttölähteestä ennen lisävarusteiden vaihtamista.
- Käytä vain suositellun kokoisia ja tyyppisiä hiontamateriaaleja.
- Älä käytä lohjenneita, halkeilleita tai pudonneita laikkoja.
- Hiomalaikka on kiinnitettävä oikein särkyneistä laikoista aiheutuvien vammojen välttämiseksi.
- Älä yhdistä UNC- ja metrimittaisia kierteitä väärin.
- Hiomalaikat on voitava kiinnittää akseliin vapaasti, ettei reikään kohdistu painetta. Älä kiinnitä suurireikäisiä hiomalaikkoja supistusholkkien avulla.

- Kiinnitä hiomalaikka vain hiomakoneen mukana toimitettavilla laipoilla. Litteät tiivisteet tai muut sovittimet saattavat kohdistaa laikkaan liian suuren paineen. Käytä laippojen ja hiomalaikan välissä aina paksuja paperilevyjä.
- Jos toimituksessa on mukana useita laippoja erikokoisia ja -tyyppisiä hiomalaikkoja varten, käytä aina oikeaa laippaa käytettävälle hiomalaikalle.
- Asennettaessa kierrerei'illä varustettuja kuppeja, kartioita tai tulppia karapää ei saa koskettaa reiän pohjaa, koska muussa tapauksessa se aiheuttaa hiomalaikalle kuormitusta.
- Kiristä laikka akseliin, ettei se irtoa, kun ilmakäyttöinen hiomakone kytketään pois päältä.
- Testaa hiomalaikka ennen hiontaa käyttämällä työkalun täydellä teholla. Käytä estettä (esimerkiksi pitämällä työkalua raskaan työpenkin alla), etteivät mahdolliset särkyneet laikan palaset pääse sinkoamaan kauemmas. Jos kone tärisee huomattavasti, pysäytä se välittömästi.

Käyttövaarat

- Käyttäjien ja huoltohenkilöstön on pystyttävä fyysisesti käsittelemään työkalun kokoa, painoa ja voimaa.
- Pitele työkalua oikein: ole valmis korjaamaan normaali tai äkkinäinen liike – pidä molemmat kädet valmiina.
- Lisävaruste, hiontakipinät tai työstettävä pinta voi aiheuttaa haavoja tai palovammoja, jos joudut kosketuksiin niiden kanssa. Vältä kosketusta ja käytä suojaimia, kuten käsineitä, esiliinaa ja kypärää.
- Vältä laikan juuttumista kiinni katkaisukäytössä. Tue työkappaletta katkaisurajan molemmin puolin, ettei laikka juutu kiinni. Jos laikka juuttuu, vapauta liipaisin ja vapauta laikka. Ennen kuin jatkat työtä, tarkasta, että laikka on ehjä ja oikein kiinnitetty.
- Älä käytä katkaisulaikkoja sivuhiontaan.
- Hiontakipinät voivat syyttää vaatteet ja aiheuttaa vakavia palovammoja. Varmista, etteivät kipinät pääse vaatteisiin. Käytä paloa hidastavaa vaateetusta ja ota vesiämpäri työalueen läheisyyteen.
- Jos työkalua käytetään muovin tai muun sähköä johtamattoman aineen päällä, on olemassa staattisen sähköän muodostumisen vaara.
- Se aiheuttaa kipinöiden lentämisen vastakkaiseen suuntaan pyörimissuuntaa vaihdettaessa.
- Se aiheuttaa käyttäjälle vastakkaisen reaktivoiman pyörimissuuntaa vaihdettaessa.

Toistuvien liikkeiden aiheuttamat vaarat

- Kun sähkötyökalua käytetään työtehtävissä, käyttäjä saattaa tuntea epämukavuutta käsissä, käsivarsissa, hartioissa, niskassa ja muissa kehonosissa.
- Työskentele miellyttävässä mutta tukevassa asennossa ja vältä hankalia työasentoja ja epätasapainoa. Asennon vaihto pidempään kestävässä tehtävässä voi auttaa välttämään epämukavuutta ja väsymistä.
- Älä jätä oireita huomioimatta, kuten jatkuvaa tai toistuvaa epämukavuutta, kipua, pakotusta, särkyä, pistelyä, tunnottomuutta, polttavaa tunnetta tai jäykkyyttä. Keskeytä työkalun käyttö, kerro siitä työnantajalle ja ota yhteys lääkäriin.

Melu- ja värinävaarat

- Kovat äänet voivat aiheuttaa pysyviä kuulovaurioita ja muita ongelmia, kuten tinnitusta. Käytä työnantajan tai työterveys- ja työturvallisuusmääräysten suosittamia kuulosuojaimia.
- Tärinälle altistuminen voi aiheuttaa vammauttavia vahinkoja hermoissa sekä käsien ja käsivarsien verenkierron. Pukeudu lämpimästi ja pidä kädet lämpiminä ja kuivina. Jos havaitset tunnottomuutta, pistelyä, kipua tai ihon kalpenemista, keskeytä työkalun käyttö, kerro siitä työnantajalle ja ota yhteys lääkäriin.
- Pidä työkalusta kiinni kevyesti mutta turvallisesti, sillä tärinästä aiheutuva riski on yleensä sitä voimakkaampaa, mitä kovemmalla voimalla työkalusta pidetään kiinni. Tue työkalun paino tasapainottimella aina, kun se on mahdollista.
- Melu- ja värinätasojen tarpeettoman nousun välttäminen:
 - Käytä ja huolla työkalua ja valitse, huolla ja vaihda varusteet ja lisätarvikkeet tämän käyttöohjeen mukaisesti.
 - Käytä vaimennusmateriaaleja työkappaleen "soimisen" välttämiseksi.

Työpaikkaan liittyvät vaarat

- Liukastuminen, kompastuminen tai kaatumisen voi johtaa vakavaan tapaturmaan tai kuolemaan. Varo lattiaolla tai työpinoilla olevia letkuja.
 - Vältä pölyn tai höyryjen hengittämistä ja työskentelyjätteiden käsittelyä, jotka voivat aiheuttaa terveyshaittoja (esimerkiksi syöpää, vastasyntyneiden epämuodostumia, astmaa ja/tai ihotulehdusta (dermatiittia)). Käytä pölynpoistoa ja hengityssuojainta, kun työskentelet materiaaleista irtoavaa ilmaa hiukkasia.
 - Jotkut hionnassa, sahauskassa, rouhinnassa, porauksessa ja muissa rakennustöissä syntyvät pölyt sisältävät kemikaaleja, jotka Kalifornian osavaltion mukaan aiheuttavat syöpää, synnynnäisiä epämuodostumia ja hedelmättömyyttä. Esimerkkejä tällaisista kemikaaleista:
 - Iyijypohjaisista maaleista lähtöisin oleva lyijy
 - tiilistä, sementistä ja muista muurausaineista lähtöisin oleva kiteinen piidioksidi
 - kemiallisesti käsitellystä kumista lähtöisin oleva arsenikki ja kromi.
- Altistumisen riski näille kemikaaleille riippuu siitä, kuinka usein teet tämänkaltaista työtä. Voit vähentää altistumista näille kemikaaleille seuraavasti: työskentele hyvin tuuletetussa tilassa ja käytä hyväksytyjä suojavälineitä, kuten hengityssuojaimia, jotka suodattavat mikroskooppisen pienet hiukkaset.
- Noudata erityistä varovaisuutta vieraassa työympäristössä. Piilovaarat, kuten sähkö- tai muut syöttölinjat.
 - Hiominen ja rouhinta tuottavat pölyä ja höyryjä, jotka voivat tehdä ympäristöilmasta räjähdysalttiin. Käytä aina työstettävälle materiaaleille soveliaita pölynpoistomenetelmiä.
 - Tätä työkalua ei ole tarkoitettu käytettäväksi räjähdysalttiissa ympäristössä eikä sitä ole eristetty suojaamaan sähkötapaturmilta sen koskettaessa sähkövirtälähteitä.

Hyödyllistä tietoa**Alkuperäismaa**

Taiwan

Verkkosivusto

Tietoa yrityksemme tuotteista, lisälaitteista, varaosista ja julkaisuista on Rodcraft -sivustolla.

Käy osoitteessa: www.rodcraft.com.**Käyttöturvallisuustiedote**

Käyttöturvallisuustiedote kuvaa Rodcraftin myymiä kemikaalituotteita.

Katso lisätietoja Rodcraftin verkkosivustolta qr.cp.com/sds.**Copyright**

© Copyright 2023, Desoutter GmbH, Edmund-Seng-Str. 3-5, 63477 Maintal, Germany

Kaikki oikeudet pidätetään. Sisällön tai sen osan luvaton käyttö tai kopiointi on kielletty. Se koskee erityisesti tavaramerkkejä, mallinimityksiä, osanumeroita ja piirustuksia. Käytä vain hyväksytyjä varaosia. Takuu tai tuotevastuu ei korvaa mitään vaurioita tai toimintahäiriöitä, jotka johtuvat muiden kuin hyväksytyjen varaosien käytöstä.

Δηλώσεις**Δήλωση Συμμόρφωσης ΕΕ**

Εμείς, η **Desoutter GmbH**, Edmund-Seng-Str. 3-5, 63477 Maintal, Germany, δηλώνουμε με αποκλειστική μας ευθύνη ότι το προϊόν (με όνομα, τύπο και σειριακό αριθμό, βλ. εξώφυλλο) συμμορφώνεται με την ακόλουθη(ες) Οδηγία (-ες):

2006/42/EC (17/05/2006)

Ισχύοντα εναρμονισμένα πρότυπα:

EN ISO 11148-7 :2012

Οι αρχές μπορούν να ζητήσουν τις σχετικές τεχνικές πληροφορίες από:

Pascal Roussy, R&D Manager, Ets Georges Renault, 38 rue Bobby Sands, BP10273 44818 Saint Herblain, France

Saint-Herblain, 2023/01/09**Pascal ROUSSY**

Υπογραφή

Έγγραφο δήλωση επιπέδου θορύβου & δόνησεων

- Στάθμη ηχητικής πίεσης 90 dB(A), αβεβαιότητα 3 dB(A), σύμφωνα με το EN ISO 15744.
- Στάθμη ηχητικής πίεσης 101 dB(A), αβεβαιότητα 3 dB(A), σύμφωνα με το EN ISO 15744.
- Συνολική τιμή δόνησης 4.33 m/s², αβεβαιότητα 1.1 m/s², σύμφωνα με το ISO-28927-4.

Αυτές οι δηλωθείσες τιμές προέκυψαν από δοκιμές τύπου εργαστηρίου σύμφωνα με τα αναφερόμενα πρότυπα και είναι κατάλληλες για σύγκριση με τις δηλωθείσες τιμές άλλων εργαλείων που δοκιμάστηκαν σύμφωνα με τα ίδια πρότυπα. Το επίπεδο εκπομπών δονήσεων μπορεί να χρησιμοποιηθεί για μια προκαταρκτική εκτίμηση της έκθεσης. Αυτές οι δηλωθείσες τιμές δεν είναι επαρκείς για χρήση σε εκτιμήσεις κινδύνου και οι τιμές που μετρώνται σε μεμονωμένους χώρους εργασίας ενδέχεται να είναι υψηλότερες. Οι πραγματικές τιμές έκθεσης και ο κίνδυνος βλάβης που αντιμετωπίζει ένας μεμονωμένος χρήστης είναι μοναδικές και εξαρτώνται από τον τρόπο εργασίας του χρήστη, το αντικείμενο εργασίας και το σχεδιασμό του σταθμού εργασίας, καθώς και από το χρόνο έκθεσης και τη φυσική κατάσταση του χρήστη.

Εμείς, η **Desoutter GmbH**, ουδεμία ευθύνη φέρουμε όσον αφορά τις συνέπειες της χρήσης των δηλωμένων τιμών, αντί των τιμών που αντικατοπτρίζουν την πραγματική έκθεση, για την αξιολόγηση κινδύνων σε χώρο εργασίας ο οποίος δεν βρίσκεται υπό τον έλεγχό μας.

Αυτό το εργαλείο μπορεί να προκαλέσει σύνδρομο χειρός-βραχίονα οφειλόμενο στους κραδασμούς αν δεν γίνει σωστή χρήση του. Μπορείτε να βρείτε έναν οδηγό της ΕΕ για τη διαχείριση των δονήσεων χειριού-βραχίονα μεταβαίνοντας στη διεύθυνση <http://www.pneurop.eu/index.php> και επιλέγοντας "Tools" (Εργαλεία) και κατόπιν "Legislation" (Νομοθεσία).

Συνιστούμε την τήρηση προγράμματος ιατρικής παρακολούθησης, για να αναγνωρίζονται τυχόν αρχικά συμπτώματα που ενδέχεται να σχετίζονται με την έκθεση σε δονήσεις, έτσι ώστε να είναι δυνατή η τροποποίηση των διαδικασιών διαχείρισης και να αποτρέπεται η πρόκληση μελλοντικών σωματικών βλαβών.

i Αυτός ο εξοπλισμός προορίζεται για χρήση με σταθερές εφαρμογές:

Οι εκπομπές θορύβου παρέχονται στον υπεύθυνο για το στήσιμο του μηχανήματος, ως οδηγός. Τα στοιχεία εκπομπών θορύβου και δονήσεων για το μηχανήμα στην ολοκληρωμένη μορφή του θα πρέπει να παρέχονται στο εγχειρίδιο οδηγιών του μηχανήματος.

Πληροφορίες σχετικά με το Άρθρο 33 του κανονισμού REACH

Ο Ευρωπαϊκός Κανονισμός (ΕΕ) αριθ. 1907/2006 για την καταχώριση, την αξιολόγηση, την αδειοδότηση και τον περιορισμό των χημικών προϊόντων (REACH) ορίζει, μεταξύ άλλων, απαιτήσεις σχετικά με την επικοινωνία στην αλυσίδα εφοδιασμού. Η απαίτηση πληροφοριών ισχύει και για προϊόντα που περιέχουν τις λεγόμενες Άκρας Ανησυχαστικές Ουσίες («Κατάλογος Υποψηφίων»). Στις 27 Ιουνίου 2018 προστέθηκε στον Κατάλογο Υποψηφίων ο μεταλλικός μόλυβδος (CAS αριθ. 7439921).

Σύμφωνα με τα ως άνω αναφερόμενα, αυτό σας ενημερώνει ότι ορισμένα μηχανικά εξαρτήματα στο προϊόν ενδέχεται να περιέχουν μεταλλικό μόλυβδο. Αυτό συμμορφώνεται με την ισχύουσα νομοθεσία περί περιορισμού ουσιών και βασίζεται σε νόμιμες εξαιρέσεις στην οδηγία RoHS (2011/65 / ΕΕ). Κατά τη διάρκεια της κανονικής χρήσης, ο μεταλλικός μόλυβδος δεν θα διαρρεύσει ή θα μεταλλαχθεί από το προϊόν και η συγκέντρωση του μεταλλικού μολύβδου στο πλήρες

προϊόν είναι πολύ κάτω από το ισχύον όριο. Λάβετε υπόψη τις τοπικές απαιτήσεις σχετικά με τη διάθεση του μολύβδου στο τέλος του κύκλου ζωής του.

Περιφερειακές απαιτήσεις

⚠ ΠΡΟΕΙΔΟΠΟΙΗΣΗ

Αυτό το προϊόν μπορεί να σας εκθέσει σε χημικές ουσίες, συμπεριλαμβανομένου του μολύβδου, ο οποίος είναι γνωστός στην πολιτεία της Καλιφόρνιας ότι προκαλεί καρκίνο και γενετικές ανωμαλίες ή άλλη αναπαραγωγική βλάβη. Για περισσότερες πληροφορίες επισκεφθείτε την ιστοσελίδα

<https://www.p65warnings.ca.gov/>

Ασφάλεια

Μην απορρίπτετε - δώστε στο χρήστη

⚠ ΠΡΟΕΙΔΟΠΟΙΗΣΗ Διαβάστε όλες τις προειδοποιήσεις ασφαλείας, τις οδηγίες, τα γραφικά και τις προδιαγραφές που συνοδεύουν αυτό το ηλεκτρικό εργαλείο.

Η μη τήρηση όλων των οδηγιών που αναφέρονται παρακάτω μπορεί να προκαλέσει ηλεκτροπληξία, πυρκαγιά ή/και σοβαρό τραυματισμό.

Φυλάξτε όλες τις προειδοποιήσεις και τις οδηγίες για να ανατρέξετε μελλοντικά σε αυτές.

⚠ ΠΡΟΕΙΔΟΠΟΙΗΣΗ Όλοι οι τοπικά θεσμοθετημένοι κανόνες ασφαλείας σχετικά με την εγκατάσταση, τη λειτουργία και τη συντήρηση, πρέπει να τηρούνται συνεχώς.

Δήλωση Χρήσης

- Αποκλειστικά για επαγγελματική χρήση.
- Αυτό το προϊόν και τα εξαρτήματά του δεν πρέπει να τροποποιηθούν με κανένα τρόπο.
- Μην χρησιμοποιείτε αυτό το προϊόν εάν έχει υποστεί ζημιά.
- Εάν τα δεδομένα του προϊόντος ή οι προειδοποιητικές ενδείξεις κινδύνου στο προϊόν παύσουν να είναι ευανάγνωστες ή αποσυνδεδεμένες, αντικαταστήστε χωρίς καθυστέρηση.
- Το προϊόν πρέπει να εγκαθίσταται, να λειτουργεί και να συντηρείται μόνο από πρόσωπα με τα κατάλληλα προσόντα σε βιομηχανικό περιβάλλον συναρμολόγησης.

Προβλεπόμενη χρήση

Το προϊόν αυτό σχεδιάστηκε για την αφαίρεση υλικών με τη χρήση λειαντικών μέσων. Δεν επιτρέπεται άλλη χρήση.

Ειδικές οδηγίες προϊόντος

Λειτουργία

Απαιτήσεις παροχής αέρα

1. Παροχή καθαρού, ξηρού αέρα με μέγιστη πίεση 6,3 bar (90 psi) στο εργαλείο. Η υψηλότερη πίεση μειώνει δραστικά τη διάρκεια ζωής του εργαλείου.
2. Συνδέστε το εργαλείο στην αεροπορική γραμμή χρησιμοποιώντας τα μεγέθη σωλήνων, εύκαμπτων σωλήνων και εξαρτημάτων που φαίνονται στην εικόνα 3.

Εγκατάσταση / Λειτουργία

1. Χαλαρώστε τη βίδα ασφαλείας, τοποθετήστε το δίσκο κοπής μεταξύ των δύο φλαντζών, σφίξτε τη βίδα ασφαλείας και βεβαιωθείτε ότι ο δίσκος κοπής έχει στερεωθεί σωστά στο εργαλείο.
2. Συνδέστε το εργαλείο όπως φαίνεται στην εικόνα 3.
3. Για να εκκινήσετε το εργαλείο, τραβήξτε το μοχλό ασφαλείας (2) και πιέστε το μοχλό γκαζιού (1). Αυξήστε την ταχύτητα του μηχανήματος αυξάνοντας την πίεση στο μοχλό ισχύος (1). *Ανατρέξτε στην εικόνα 2.*
4. Αφήστε το μοχλό γκαζιού (1) για να σταματήσετε το εργαλείο. *Ανατρέξτε στην εικόνα 1.*

Στροφή θέσης κεφαλής

Ανατρέξτε στην εικόνα 4.

1. Σταματήστε το εργαλείο.
2. Σπρώξτε προς τα εμπρός το κάλυμμα ασφάλισης (2).
3. Αλλάξτε τη θέση της κεφαλής του εργαλείου προς τα πάνω ή προς τα κάτω (3) ή επιστρέψτε στην κανονική θέση. *Ανατρέξτε στην εικόνα 1.*
4. Απελευθερώστε το κάλυμμα ασφάλισης (4). Το κάλυμμα ασφάλισης επανέρχεται στην αρχική του θέση. *Ανατρέξτε στην εικόνα 1.*

ΠΡΟΕΙΔΟΠΟΙΗΣΗ

- ▶ Μην ξεκινάτε το εργαλείο, εάν η κεφαλή του εργαλείου δεν είναι ασφαλισμένη.
- ▶ Αποφύγετε τον τραυματισμό των δακτύλων κρατώντας τα δάκτυλά σας μακριά από τους μηχανισμούς όταν χειρίζεστε την κεφαλή κάμψης.
- ▶ Βεβαιωθείτε ότι κρατάτε την άκρη του μηχανισμού κάθε φορά που ρυθμίζεται η κεφαλή κάμψης. Υπάρχει περίπτωση τα δάκτυλά σας να παγιδευτούν από τον μηχανισμό αν δεν δώσετε προσοχή.

Αλλαγή της κατεύθυνσης περιστροφής

Ανατρέξτε στην εικόνα 5.

1. Σταματήστε το εργαλείο.
2. Στρέψτε το κουμπί (1) στη θέση "F" ή "R" για περιστροφή προς τα εμπρός και προς τα πίσω αντίστοιχα.
3. Εκκινήστε εκ νέου το εργαλείο.

Μετά την ολοκλήρωση της εργασίας

ΠΡΟΕΙΔΟΠΟΙΗΣΗ Ο χρόνος διακοπής λειτουργίας ενδέχεται να είναι πάνω από 5 δευτερόλεπτα.

- ▶ Βεβαιωθείτε ότι το εργαλείο είναι απενεργοποιημένο και ότι έχει σταματήσει τελείως πριν να το αφήσετε κάτω.
- ▶ Ο χρόνος διακοπής εξαρτάται από το λειαντικό που χρησιμοποιείται.

Κατεβάστε το εργαλείο προσεκτικά για να βεβαιωθείτε ότι το εργαλείο δεν θα ξεκινήσει μόνο του/από μόνο του.

Διατήρηση και Συντήρηση

Λίπανση

Χρησιμοποιήστε μια γραμμή αέρα λιπαντικού με SAE #10 λάδι, ρυθμισμένο σε δύο (2) σταγόνες ανά λεπτό.

Οδηγίες συντήρησης

- Για τον ασφαλή χειρισμό και την απόρριψη όλων των εξαρτημάτων, ακολουθήστε τους τοπικούς περιβαλλοντικούς κανονισμούς της χώρας.
- Εργασίες συντήρησης και επισκευών πρέπει να διεξάγονται αποκλειστικά από καταρτισμένο προσωπικό με τη χρήση μόνο γνήσιων ανταλλακτικών. Επικοινωνήστε με τον κατασκευαστή ή τον πλησιέστερο εξουσιοδοτημένο αντιπρόσωπό της περιοχής σας για οδηγίες σχετικά με την τεχνική συντήρηση ή αν χρειάζεστε ανταλλακτικά.
- Να βεβαιώνεστε πάντοτε ότι η συσκευή είναι αποσυνδεδεμένη από την πηγή παροχής ενέργειας, για να αποφύγετε την ακούσια λειτουργία.
- Αποσυναρμολογείτε και επιθεωρείτε το εργαλείο ανά τρεις (3) μήνες, αν το εργαλείο χρησιμοποιείται καθημερινά. Αντικαταστήστε κατεστραμμένα ή φθαρμένα εξαρτήματα.
- Για να διατηρείτε το χρόνο εκτός λειτουργίας στο ελάχιστο, σας συνιστούμε το παρακάτω κιτ ρύθμισης: **Κιτ ρύθμισης**

Απόρριψη

- Για την απόρριψη αυτού του εξοπλισμού πρέπει να τηρείται η νομοθεσία της εκάστοτε χώρας.
- Όλες οι συσκευές που έχουν υποστεί ζημιά, μεγάλης έκτασης φθορά ή που δεν λειτουργούν σωστά **ΠΡΕΠΕΙ ΝΑ ΤΙΘΕΝΤΑΙ ΕΚΤΟΣ ΛΕΙΤΟΥΡΓΙΑΣ**.

Γενικές Οδηγίες για την Ασφάλεια

Πρόσθετες πληροφορίες ασφαλείας σχετικά με φορητά αεροεργαλεία:

- CAGI 2528 - B186.1, ΚΩΔΙΚΟΣ ΑΣΦΑΛΕΙΑΣ ΓΙΑ ΑΕΡΟΕΡΓΑΛΕΙΑ, διαθέσιμο από τα Παγκόσμια Έγγραφα Μηχανικής στη διεύθυνση <https://global.ihs.com/> ή τηλεφωνήστε στο +1 800 447-2273. Στην περίπτωση που δεν μπορείτε να βρείτε τα πρότυπα ANSI, επικοινωνήστε με την ANSI μέσω της ηλεκτρονικής διεύθυνσης <http://www.ansi.org/>

Παροχή αέρα και κίνδυνοι σύνδεσης

- Ο πεπιεσμένος αέρας μπορεί να προκαλέσει σοβαρό τραυματισμό.
- Κλείνετε πάντοτε την παροχή αέρα, αποστραγγίστε τον εύκαμπτο σωλήνα από πεπιεσμένο αέρα και αποσυνδέστε το εργαλείο από την παροχή αέρα όταν δεν το χρησιμοποιείτε, πριν να αλλάξετε εξαρτήματα ή όταν πραγματοποιείτε επισκευές.
- Ποτέ μην κατευθύνετε αέρα επάνω σε εσάς ή σε οποιονδήποτε άλλο.
- Οι εκτινασόμενοι σωλήνες μπορούν να προκαλέσουν σοβαρό τραυματισμό. Ελέγχετε πάντοτε για εύκαμπτους σωλήνες και συνδέσμους με ζημιά ή χαλάρωση.
- Μην χρησιμοποιείτε συνδέσμους γρήγορης αποσύνδεσης σε αυτό το εργαλείο. Για σωστή ρύθμιση, ανατρέξτε στις οδηγίες.
- Όταν χρησιμοποιείτε δισαρθρωτούς συνδέσμους συστροφής, θα πρέπει να εγκαθιστάτε πείρους ασφαλείας.
- Μην υπερβαίνετε τη μέγιστη πίεση αέρα 6,3 bar / 90 psig, ή εκείνη που ορίζεται στην πινακίδα στοιχείων του εργαλείου.

Χρήση της προστατευτικής διάταξης τροχού

- Χρησιμοποιείτε πάντοτε το συνιστώμενο προφυλακτήρα τροχού, ώστε να ελαττωθεί ο κίνδυνος τραυματισμού από σπασμένα τμήματα λείανσης του τροχού.
- Αν ένας προφυλακτήρας έχει υποστεί σπάσιμο τροχού μη συνεχίζετε να τον χρησιμοποιείτε. Ενδέχεται να είναι κατεστραμμένος.
- Τοποθετήστε τον προφυλακτήρα μεταξύ του τροχού λείανσης και του χειριστή.
- Χρησιμοποιείτε φράγματα για να προστατέψετε τους άλλους από τα κομμάτια του τροχού και τους σπινθήρες λείανσης.

Κίνδυνοι εμπλοκής

- Παραμείνετε μακριά από τον περιστρεφόμενο άξονα κίνησης και το λειαντικό. Η περιστροφή μπορεί να συνεχίζεται για αρκετά δευτερόλεπτα μετά την απελευθέρωση της δικλίδας αερίων. Μην τοποθετείτε κάτω το εργαλείο μέχρι να σταματήσει η περιστροφή.
- Είναι δυνατό να επέλθει πνιγμός, αφαίρεση τριχωτού της κεφαλής ή/ και σχισίματα αν χαλαρά ρούχα, γάντια, κοσμήματα, κολιέ και μαλλιά δε διατηρηθούν μακριά από το εργαλείο και τα εξαρτήματά του.

Κίνδυνοι από θραύσματα

- Η βλάβη του εξαρτήματος, του λειαντικού ή του εργαλείου μπορεί να προκαλέσει ριπές υψηλής ταχύτητας. Οι σπίθες λείανσης και ακόμη και τα μικρά θραύσματα μπορούν να τραυματίσουν τα μάτια και να προκαλέσουν τύφλωση.
- Φοράτε πάντοτε προστασία για τα μάτια και το πρόσωπο κατά τη διάρκεια της λειτουργίας, της επισκευής ή της συντήρησης του εργαλείου ή κατά την αλλαγή εξαρτημάτων στο εργαλείο.
- Βεβαιωθείτε ότι όλοι που βρίσκονται στην περιοχή φορούν κατάλληλο εξοπλισμό προστασίας των ματιών και του προσώπου

- Ένας τροχός λείανσης που εκρήγνυται μπορεί να προκαλέσει πολύ σοβαρό τραυματισμό ή θάνατο.
- Καθημερινά μετράτε την ταχύτητα αέρα του λειαντήρα με ένα μετρητή ταχύτητας, για να βεβαιωθείτε ότι δεν είναι μεγαλύτερη από τις ΣΑΛ που αναγράφονται επάνω στον τροχό λείανσης.
- Ποτέ μη χρησιμοποιείτε τροχό λείανσης με ένδειξη χαμηλότερης ταχύτητας από αυτήν του λειαντήρα.
- Με τη βοήθεια των παρεχόμενων εργαλείων βεβαιωθείτε ότι το λειαντικό είναι ασφαλώς στερεωμένο στον λειαντήρα. Οι φλάντζες πρέπει να μη φέρουν ρωγμές και γρέζια και να έχουν επίπεδες επιφάνειες πρόσδεσης. Οι άτρακτοι και τα σπειρώματα της ατράκτου πρέπει να μην έχουν βλάβες και να μην έχουν υποστεί φθορές.
- Φροντίστε το αντικείμενο εργασίας να στερεώνεται με ασφάλεια.

Κίνδυνοι που σχετίζονται με τα εξαρτήματα

- Κατά την αλλαγή των εξαρτημάτων να κλείνετε πάντα την παροχή αέρα, να αποφορτίσετε τον εύκαμπτο σωλήνα από την πίεση του αέρα και να αποσυνδέετε το εργαλείο από την παροχή αέρα.
- Χρησιμοποιείτε μόνο τα συνιστώμενα μεγέθη και τύπους λειαντικών.
- Μη χρησιμοποιείτε κομμένους ή ραγισμένους τροχούς, ή τροχούς που μπορεί να έχουν υποστεί πτώση.
- Η σωστή τοποθέτηση του τροχού λείανσης είναι απαραίτητη για την αποφυγή τραυματισμών από σπασμένους τροχούς.
- Μην συνδυάζετε UNC και μετρικά νήματα που δεν ταιριάζουν.
- Οι τροχοί λείανσης θα πρέπει να εφαρμόζουν ελεύθερα πάνω στον άξονα, ώστε να προλαμβάνεται η ένταση στην οπή. Μην χρησιμοποιείτε μειωμένους δακτυλίους για να εφαρμόσουν σε λειαντικούς τροχούς με μεγάλη οπή.
- Χρησιμοποιείτε μόνο τις φλάντζες που παρέχονται μαζί με το λειαντήρα για την τοποθέτηση του τροχού λείανσης. Οι επίπεδες ροδέλες ή άλλοι προσαρμογείς ενδέχεται να υποβάλουν τον τροχό σε υπερβολική καταπόνηση. Χρησιμοποιείτε πάντοτε βαριούς δίσκους από στυπόχαρτο μεταξύ των φλαντζών και του τροχού λείανσης.
- Εάν παρέχονται πολλές φλάντζες για την τοποθέτηση διαφορετικών μεγεθών και τύπων λειαντικών, τοποθετείτε πάντα τη σωστή φλάντζα (ή τις σωστές φλάντζες) για το λειαντικό που χρησιμοποιείται.
- Κατά την τοποθέτηση κυπέλων, κώνων ή κυλινδρικών εξαρτημάτων με σπειρωμένες οπές, το άκρο της ατράκτου δεν πρέπει να αγγίζει τον πυθμένα της οπής, καθώς αυτό θα καταπονήσει το λειαντικό.
- Σφίξτε τον τροχό επάνω στον άξονα, ώστε να μην αποσυνδεθεί κατά την απενεργοποίηση του λειαντήρα.
- Δοκιμάστε τον τροχό λείανσης πριν από τη λείανση, λειτουργώντας το εργαλείο σε μέγιστη ισχύ. Βεβαιωθείτε ότι χρησιμοποιείτε προστατευτικό (π.χ., κάτω από ένα βαρύ τραπέζι εργασίας), για την αναστολή εκτόξευσης τυχόν σπασμένων κομματιών του τροχού. Σταματήστε αμέσως σε περίπτωση υπερβολικών κραδασμών.

Κίνδυνοι χειρισμού

- Οι χειριστές και το προσωπικό συντήρησης πρέπει να είναι σε θέση να χειρίζονται σωματικά τον όγκο, το βάρος και την ισχύ του εργαλείου.
- Κρατήστε το εργαλείο σωστά: να είστε έτοιμοι να αντιμετωπίσετε κανονικές ή ξαφνικές κινήσεις - έχετε ελεύθερα και τα δύο σας χέρια.
- Εάν έρθετε σε επαφή με το εξάρτημα, τις σπίθες λείανσης ή την επιφάνεια εργασίας, μπορεί να κοπείτε ή να υποστείτε έγκαυμα. Αποφύγετε τέτοιου είδους επαφή και φοράτε προστατευτικό εξοπλισμό, όπως γάντια, ποδιά και κράνος.
- Αποφεύγετε την εμπλοκή του τροχού όταν κόβει. Στηρίξτε το αντικείμενο προς επεξεργασία και στις δυο πλευρές της γραμμής κοπής για να αποφύγετε την εμπλοκή του τροχού. Σε περίπτωση εμπλοκής, απελευθερώστε τη βαλβίδα στραγγαλισμού και απελευθερώστε τον τροχό. Βεβαιωθείτε ότι ο τροχός δεν έχει υποστεί βλάβη και ασφαλίστε τον σωστά πριν συνεχίσετε.
- Μη χρησιμοποιείτε ποτέ τροχούς κοπής για πλάγια λείανση.
- Οι σπινθήρες λείανσης μπορούν να αναφλέξουν τα ενδύματα και να προκαλέσουν σοβαρά εγκαύματα. Βεβαιωθείτε ότι οι σπίθες δεν έρχονται σε επαφή με τα ρούχα σας. Να φοράτε βραδυφλεγή ενδύματα και να έχετε κοντά σας έναν κουβά με νερό.
- Υπάρχει ο κίνδυνος ηλεκτροστατικής αποφόρτισης, εάν το εργαλείο χρησιμοποιείται πάνω σε πλαστικό ή άλλο μη αγώγιμο υλικό.
- Προκαλεί την εκτόξευση σπινθήρων προς την αντίθετη κατεύθυνση κατά την αλλαγή της κατεύθυνσης περιστροφής.
- Προκαλεί μια αντίθετη δύναμη αντίδρασης στον χειριστή όταν αλλάζει η κατεύθυνση περιστροφής.

Κίνδυνοι από επαναλαμβανόμενη κίνηση

- Όταν χρησιμοποιείτε ένα εργαλείο για την εκτέλεση δραστηριοτήτων που σχετίζονται με την εργασία, ο χειριστής είναι δυνατό να νιώσει δυσκολία στα χέρια, τους βραχίονες, τους ώμους, τον αυχένα ή σε άλλες περιοχές του σώματος.
- Λάβετε άνετη στάση σώματος, πατώντας καλά στο έδαφος και αποφεύγοντας τις αδέξιες κινήσεις ή την απώλεια της ισορροπίας. Η εναλλαγή στάσεων κατά τις εργασίες με μεγάλη διάρκεια μπορεί να σας βοηθήσει να αποφύγετε την αίσθηση δυσκολίας και κόπωσης.
- Μην αγνοήσετε συμπτώματα, όπως την επίμονη ή επαναλαμβανόμενη δυσκολία, τρεμούλα, πιάσιμο, μυρμηκίαση, μούδιασμα, κάψιμο ή πιάσιμο. Σταματήστε τη χρήση του εργαλείου, ενημερώστε τον εργοδότη σας και ζητήστε ιατρική συμβουλή.

Κίνδυνοι από το θόρυβο και τις δονήσεις

- Οι υψηλές στάθμες θορύβων μπορεί να προκαλέσουν μόνιμη απώλεια ακοής και άλλα προβλήματα, όπως εμβοές. Χρησιμοποιείτε προστατευτικά για τα αυτιά όπως συνιστάται από τον εργοδότη σας ή τους κανονισμούς υγείας και ασφαλείας του χώρου εργασίας.

- Η έκθεση σε δονήσεις μπορεί να προκαλέσει βλάβες στο νευρικό σύστημα και στην παροχή αίματος στα χέρια και τα μπράτσα. Φοράτε ζεστά ρούχα και διατηρείτε τα χέρια σας ζεστά και στεγνά. Εάν παρουσιαστεί μούδιασμα, μυρμηκίαση ή άσπρισμα του χρώματος του δέρματος, σταματήστε τη χρήση του εργαλείου, ενημερώστε τον εργοδότη σας και συμβουλευτείτε έναν ιατρό.
- Κρατάτε το εργαλείο με ελαφριά αλλά ασφαλή λαβή, επειδή ο κίνδυνος από τη δόνηση είναι γενικά μεγαλύτερος όσο μεγαλύτερη είναι η δύναμη της λαβής. Όπου είναι δυνατόν, υποστηρίξτε το βάρος του εργαλείου με ένα ζυγό.
- Για να αποφύγετε μη αναγκαίες αυξήσεις των επιπέδων θορύβου και δονήσεων:
 - Θέστε σε λειτουργία και διατηρήστε το εργαλείο και επιλέξτε, διατηρήστε και αντικαταστήστε τα εξαρτήματα και τα αναλώσιμα, σύμφωνα με το παρόν εγχειρίδιο οδηγιών,
 - Χρησιμοποιείτε μονωτικά υλικά για να αποτρέψετε τις εμβοές των υπό επεξεργασία τεμαχίων.

Κίνδυνοι στο χώρο εργασίας

- Η ολίσθηση/το σκουντούφλημα/η πτώση, αποτελούν κύριες αιτίες σοβαρού τραυματισμού ή θανάτου. Προσέχετε τον περισσευούμενο εύκαμπτο σωλήνα που αφήνεται στην επιφάνεια βάδισης ή εργασίας.
- Μην εισπνέετε σκόνη ή αναθυμιάσεις και μην χειρίζεστε απόβλητα της διαδικασίας εργασίας, τα οποία είναι δυνατό να προκαλέσουν προβλήματα υγείας (π.χ. καρκίνο, συγγενείς ανωμαλίες, άσθμα ή/ και δερματίτιδες). Χρησιμοποιήστε εξοπλισμό εξώθησης σκόνης και προστατευτικό αναπνευστικό εξοπλισμό όταν εργάζεστε με υλικά τα οποία παράγουν αερομεταφερόμενα σωματίδια.
- Η σκόνη που παράγεται από αμμοβολή, πρίονισμα, λείανση (τρόχισμα), διάτρηση και άλλες κατασκευαστικές δραστηριότητες με ηλεκτρικά ή πνευματικά εργαλεία περιέχει χημικές ουσίες γνωστές στην Πολιτεία της Καλιφόρνια για πρόκληση καρκίνου ή γενετικών ανωμαλιών (συγγενών διαμαρτιών διαπλάσεων) ή άλλες αναπαραγωγικές βλάβες. Ορισμένα παραδείγματα αυτών των χημικών ουσιών είναι τα εξής:
 - Μόλυβδος από βαφές με βάση μόλυβδο
 - Τούβλα κρυσταλλικής σιλικόνης και τσιμέντου καθ'άλλα προϊόντα τοιχοποιίας
 - Αρσενικό και χρώμιο από χημικά επεξεργασμένο καουτσούκ

Ο κίνδυνος που διατρέχετε από αυτές τις εκθέσεις ποικίλει, ανάλογα με το πόσο συχνά κάνετε αυτό τον τύπο εργασίας. Για τη μείωση της έκθεσής σας σ' αυτές τις χημικές ουσίες: εργάζεστε σε καλά αεριζόμενο χώρο και εργάζεστε με εγκατερισμένο εξοπλισμό ασφαλείας, όπως με μάσκες για τη σκόνη που είναι ειδικά σχεδιασμένες να φιλτράρουν μικροσκοπικά σωματίδια.

- Συνεχίστε με προσοχή σε περιβάλλοντα με τα οποία δεν είστε εξοικειωμένος/η. Μπορεί να υπάρχουν κρυμμένοι κίνδυνοι, όπως ηλεκτρικά καλώδια ή αγωγοί άλλων κοινωφελών υπηρεσιών.

- Χρησιμοποιήστε πάντοτε συστήματα εξαγωγής ή καταστολής της σκόνης, τα οποία είναι κατάλληλα για το υλικό που θα επεξεργαστείτε. Χρησιμοποιήστε σύστημα εξώθησης σκόνης ή σύστημα καταστολής σκόνης που είναι κατάλληλο για το υλικό υπό επεξεργασία.
- Αυτό το εργαλείο δεν προτίθεται να χρησιμοποιηθεί σε δυνητικά εκρηκτικές ατμόσφαιρες και δεν είναι απομονωμένο από την επαφή με το ηλεκτρικό ρεύμα.

Χρήσιμες πληροφορίες

Χώρα προέλευσης

Taiwan

Διαδικτυακός τόπος

Πληροφορίες σχετικά με τα Προϊόντα, τα Εξαρτήματά, τα Ανταλλακτικά και τα Δημοσιευμένα θέματα μας βρίσκονται στον ιστότοπο Rodcraft .

Παρακαλούμε επισκεφθείτε: www.rodcraft.com.

Δελτίο δεδομένων ασφαλείας

Τα δελτία δεδομένων ασφαλείας περιγράφουν τα χημικά προϊόντα που πωλούνται από την Rodcraft.

Ανατρέξτε στον Rodcraft ιστότοπο για περισσότερες πληροφορίες qr.cp.com/sds.

Πνευματικά δικαιώματα

© Copyright 2023, Desoutter GmbH, Edmund-Seng-Str. 3-5, 63477 Maintal, Germany

Με την επιφύλαξη παντός δικαιώματος. Απαγορεύεται κάθε μη εξουσιοδοτημένη χρήση ή αντιγραφή των περιεχομένων ή μέρους τους. Αυτό ισχύει ιδίως για τα εμπορικά σήματα, τις επωνυμίες μοντέλων, τους αριθμούς ανταλλακτικών και τα σχεδιαγράμματα. Χρησιμοποιείτε μόνο εγκεκριμένα ανταλλακτικά. Οποιαδήποτε ζημία ή δυσλειτουργία λόγω μη εγκεκριμένων ανταλλακτικών δεν καλύπτεται από την Εγγύηση ή την Ευθύνη για τα Προϊόντα.

Δηλώσεις

EU-εξασφάλιση περί συμμόρφωσης

Vi, Desoutter GmbH, Edmund-Seng-Str. 3-5, 63477 Maintal, Germany, försäkrar under eget ansvar att produkten (med namn, typ och serienummer, se framsida) uppfyller följande direktiv:

2006/42/EC (17/05/2006)

Tillämpade harmoniserade standarder:
EN ISO 11148-7 :2012

Myndigheter kan begära relevant teknisk information från:

Pascal Roussy, R&D Manager, Ets Georges Renault, 38 rue Bobby Sands, BP10273 44818 Saint Herblain, France



Saint-Herblain, 2023/01/09

Pascal ROUSSY

Underskrift

Meddelande om buller och vibrationer

- Ljudtrycksnivå 90 dB(A), osäkerhet 3 dB(A), i enlighet med EN ISO 15744.
- Ljudnivå 101 dB(A), osäkerhet 3 dB(A), i enlighet med EN ISO 15744.
- Totalt vibrationsvärde 4.33 m/s², osäkerhet 1.1 m/s², i enlighet med ISO-28927-4.

Dessa deklarerade värden har erhållits genom laboratorie-eter i enlighet med angivna direktiv eller standarder och är lämpliga att jämföra med deklarerade värden för andra maskiner som har genomgått provning i enlighet med samma direktiv eller standarder. Den angivna nivån av vibrationsutsläpp kan användas till en preliminär bedömning av exponering. Värdena kan inte användas för riskbedömning och värden som uppmäts på enskilda arbetsplatser kan vara högre. De faktiska exponeringsvärdena och de skaderisker en enskild användare utsätts för är unika och beror på personens arbetssätt, arbetsstycket, arbetsstationens utformning samt användarens exponeringstid och fysiska kondition.

Vi, Desoutter GmbH, kan inte hållas ansvarsskyldiga för konsekvenserna av att använda de angivna värdena istället för värden som återspeglar den faktiska exponeringen vid en individuell riskbedömning på en arbetsplats där vi inte har någon kontroll.

Detta verktyg kan orsaka syndromet hand-armvibrationer om det inte används korrekt. En EU-guide för hantering av hand- och armvibrationer återfinns på webbplatsen <http://www.pneurop.eu/index.php> varefter du väljer Verktyg och sedan Lagstiftning.

För att förebygga eventuella framtida åkommor rekommenderar vi att hälsokontroller genomförs för att upptäcka tidiga symptom som kan bero på vibrationsrelaterade arbetssuppgifter, samt att rutiner införs för att begränsa dessa.

① Om denna utrustning är avsedd för fixturmonterade system:

Ljudemissionerna anges som vägledning för maskinbyggarerna. Ljud- och vibrationsemissionsdata för hela maskinen skall anges i instruktionshandboken till maskinen.

Information om Artikel 33 i REACH

EU-förordning (EG) nr 1907/2006 om registrering, utvärdering, godkännande och begränsning av kemikalier (REACH) anger bland annat krav rörande kommunikation i leveranskedjan. Informationskraven gäller även för produkter som innehåller så kallade Särskilt farliga ämnen ("Kandidatförteckningen"). Den 27 juni 2018 blev blymetall (CAS-nr. 7439-92-1) tillagt i Kandidatförteckningen.

I enlighet med informationen ovan har detta meddelande som syfte att informera dig om att vissa mekaniska komponenter i produkten kan innehålla blymetall. Detta är i enlighet med rådande begränsningslagar för specifika ämnen och baseras på undantag i RoHS-förordningen (2011/65/EU). Blymetall kommer inte att läcka eller förändras från eller i produkten vid normal användning och koncentrationen blymetall i den

färdiga produkten ligger långt under gällande gränsvärden. Kom ihåg att kontrollera lokala krav för bly när produkten ska avfallshanteras.

Regionala krav

⚠ VARNING

Denna produkt kan utsätta dig för kemikalier inklusive bly, som är känd för staten Kalifornien för att orsaka cancer och fosterskador och annan reproduktiv skada. För mer information gå in på

<https://www.p65warnings.ca.gov/>

Säkerhet

KASSERA EJ – GE TILL ANVÄNDAREN

⚠ VARNING Läs alla säkerhetsföreskrifter, instruktioner, illustrationer och specifikationer som hör till elverktyget.

Underlåtenhet att följa alla angivna instruktioner kan leda till elektrisk stöt, eldsvåda och/eller svåra personskador.

Spara alla varningar och instruktioner för framtida bruk.

⚠ VARNING Alla lokala säkerhetsföreskrifter avseende installation, drift och underhåll skall alltid åtföljas.

Användningsintyg

- Endast för yrkesmässigt bruk.
- Denna produkt och medföljande tillbehör får inte modifieras på något sätt.
- Använd inte denna produkt om den har skadats.
- Om produktuppgifterna eller varningsskyltarna på produkten inte är läsliga eller lossnar ska de bytas omedelbart.
- Produkten får endast installeras, användas och servas av behöriga personer i en miljö för industriellt bruk.

Avsedd användning

Den här produkten är avsedd för borttagning av material med slipskivor. Ingen annan användning är tillåten.

Produktspecifika anvisningar

Drift

Krav på lufttillförsel

1. Mata fram ren och torr luft med maximalt tryck på 6,3 bar (90 psi) till verktyget. Högre tryck kommer att förkorta verktygets livslängd betydligt.
2. Anslut verktyget till luftledning med de dimensioner på rör, slangar och kopplingar som visas i *schema 3*.

Installation/Drift

1. Lossa säkerhetsskruven, montera kapskivan mellan två flänsar, dra åt säkerhetsskruven, kontrollera att kapskivan är säkert fixerad vid verktyget.

2. Anslut enheten enligt *schema 3*.
3. Starta verktyget genom att dra i säkerhetsreglaget (2) och trycka på varvtalsreglaget (1). Öka maskinvarvtalet genom att trycka hårdare på reglaget (1). *Se schema 2*.
4. Släpp gashandtaget (1) för att stoppa verktyget. *Se schema 1*.

Huvudets vridposition

Se Schema 4

1. Stoppa verktyget.
2. Tryck låshylsan (2) framåt.
3. Flytta verktygshuvudets position uppåt eller nedåt (3) eller tillbaka till normalt läge. *Se schema 1*.
4. Lossa låshylsan (4). Låshylsan går tillbaka till originalpositionen. *Se Schema 1*

⚠ VARNING

- ▶ Starta inte verktyget om verktygshuvudet är oläst.
- ▶ Undvik fingerskador – håll alltid fingrarna på behörigt avstånd från mekanismerna när du hanterar flexhuvuden.
- ▶ Håll mekanismens kant säkert varje gång flexhuvudet justeras. Fingrarna kan fastna i mekanismen om du inte är uppmärksam.

Ändra rotationsriktning

Se Schema 5

1. Stoppa verktyget.
2. Vrid ratten (1) till F eller R för framåtriktad eller reverserad rotation.
3. Starta verktyget igen.

Efter avslutat arbete

⚠ VARNING Det kan ta över 5 sekunder för verktyget att stanna.

- ▶ Stäng av verktyget och se till att det står helt stilla innan du lägger det ifrån dig.
- ▶ Stopptiden beror på vilken slipskiva som används.

Lägg ner verktyget försiktigt så att det inte startar av sig självt/oavsiktligt.

Service och underhåll

Smörjning

Använd ett smörjmedel för luftledning med SAE #10, anpassat till två (2) droppar per minut.

Underhållsanvisningar

- **Följ miljöföreskrifterna i användningslandet för säker hantering och bortskaffande av alla komponenter.**
- Underhåll och reparationer måste utföras av behörig personal och originalreservdelar måste användas. Kontakta tillverkaren eller närmaste auktoriserade återförsäljare för råd om teknisk service eller om du behöver reservdelar.
- Se alltid till att maskinen är urkopplad från energikällan för att undvika misstag.

- Demontera och inspektera verktyget var 3:e månad om verktyget används varje dag. Byt ut skadade eller slitna delar.
- Följande servicesats rekommenderas för att hålla stilleståndstiden så kort som möjligt: **Justeringsats**

Bortskaffning

- Följ alltid gällande lagar i respektive land vid bortskaffande av denna utrustning.
- Alla skadade, dåligt slitna eller felaktigt fungerande enheter **MÅSTE TAS UR DRIFT**.

Allmänna säkerhetsföreskrifter

i Ytterligare säkerhetsinformation om flyttbara tryckluftverktyg:

- CAGI 2525 – B186.1, SÄKERHETSREGLER FÖR PORTABLA TRYCKLUFTSDRIVNA VERKTYG, tillgängliga från Global Engineering Documents på adress <https://global.ihs.com/>, eller ring +1 800 447-2273. Om du har problem att komma åt ANSI-standarder är du välkommen att kontakta ANSI på adressen <https://www.ansi.org>

Risker med tryckluftmatning och tryckluftanslutning

- Tryckluft kan orsaka allvarliga personskador.
- Stryp alltid lufttillförseln, eliminera trycket i slangen och koppla bort verktyget från tryckluftskällan när det inte används, före utbyte av tillbehör och vid reparation.
- Rikta aldrig luftstrålen mot dig själv eller andra.
- Snärtande slangar kan orsaka svåra skador. Kontrollera alltid om slangar eller kopplingar är skadade eller lösa.
- Använd inte snabbkopplingar vid verktyget. Se anvisningarna för korrekt montering.
- Om universalvridkopplingar används måste låstappar finnas.
- Låt inte lufttrycket överstiga 6,3 bar/90 psi, eller det tryck som anges på verktygets märkplåt.

Användning av sprängskydd

- Använd alltid rekommenderat skydd för att minska risken för skador uppkomna av bitar från trasiga slipskivor.
- Om en slipskiva sprängts får det aktuella sprängskyddet inte användas igen. Det kan vara skadat.
- Placera skyddet mellan slipskivan och operatören.
- Använd skyddsplåtar för att skydda andra från slipskivefragment och gnistor.

Risker med att fastna

- Håll dig alltid på behörigt avstånd från roterande drivspindel och slipskiva. Rotationen kan fortsätta i flera sekunder efter att gasreglaget släppts. Lägg inte verktyget förrän rotationen har upphört.
- Kvävning, skalpering och/eller skärsår kan uppstå om löshängande kläder, handskar, smycken, halsband och hår inte hålls på avstånd från verktyg och tillbehör.

Kringflygande föremål

- Om tillbehöret eller arbetsstycket går sönder kan delar flyga omkring som höghastighetsprojektiler. Slipgnistor och även små föremål som kastas iväg kan skada ögonen och orsaka blindhet.
- Använd alltid slagåliga ögon- och ansiktsskydd under användning, reparation eller underhåll av verktyg eller vid byte av verktygstillbehör.
- Kontrollera att alla personer i området bär slagåliga ögon- och ansiktsskydd.
- En slipskiva som brister kan orsaka dödsfall eller mycket allvarliga personskador.
- Mät luftverktygets varvtal varje dag med en varvräknare för att säkerställa att det inte överskrider varvtalet som anges på slipskivan.
- Använd aldrig en slipskiva med lägre varvtalsmärkning än slipmaskinens varvtal.
- Använd medföljande verktyg och kontrollera att slipskivan är säkert fastlåst på slipmaskinen. Flänsarna måste ha en plan kontaktyta och får inte ha sprickor eller andra skador. Spindlar och spindelgångor får inte vara skadade eller slitna.
- Kontrollera att arbetsstycket är säkert fastspänt.

Risker med tillbehör

- Stäng alltid av lufttillförseln, nollställ trycket i slangarna och koppla bort verktyget från tryckluftskällan vid byte av tillbehör.
- Använd endast storlekar och typer av slipskivor som rekommenderas.
- Använd inte slipskivor med sprickor eller märken, eller skivor som kan ha tappats på golvet.
- Slipskivorna måste monteras korrekt för att förhindra skador orsakade av trasiga slipskivor.
- Undvik att förväxla metriska gängor och UNC-gängor.
- Slipskivorna måste passa lätt på spindeln för att förhindra överbelastning i hålet. Använd inte reduceringsbussningar för att montera slipskivor med stora hål.
- Använd endast de flänsar som medföljer slipmaskinen vid montering av slipskivor. Plana brickor och andra adaptrar kan överbelasta slipskivan. Använd alltid skivunderlägg av grovt papper mellan flänsar och slipskiva.
- Om flera flänsar medföljer som passar olika storlekar och typer av slipskivor ska du alltid montera rätt fläns(ar) för den slipskiva som används.
- Vid montering av skålar, koner eller pluggar med gängade hål, får spindeländen inte ha kontakt med botten på hålet eftersom det ger spänningar i slipskivan.
- Dra fast slipskivan på spindeln för att förhindra att den spinner löst när slipmaskinen stängs av.
- Testa slipskivan innan slipningen genom att göra en kort provkörning på full effekt. Använd en barriär (t.ex. under ett tungt arbetsbord) för att stoppa alla eventuella trasiga skivdelar. Stäng av omedelbart om vibrationerna är för kraftiga.

Risker vid användning

- Operatörer och underhållspersonal måste ha tillräcklig fysik för att hantera verktygets massa, vikt och styrka.
- Håll verktyget rätt: var redo att hålla emot normala eller plötsliga rörelser – ha båda händerna redo.
- Du kan få skär- eller brännskador om du kommer i kontakt med tillbehör, slipgnistor eller arbetsytor. Undvik sådan kontakt och använd skyddsutrustning som handskar, förkläde och hjälm.
- Undvik att slipskivan fastnar vid avstängning. Stötta arbetsstycket på bägge sidor om kaplinjen för hindra slipskivan från att fastna. Om den fastnar, släpp då fartreglaget och lossa skivan. Kontrollera att slipskivan är oskadad och ordentligt fastsatt innan arbetet återupptas.
- Använd aldrig kaptrissor för sidslipning.
- Slipgnistor kan antända kläder och orsaka allvarliga brännskador. Kontrollera att inga gnistor landar på kläderna. Använd brandsäkra kläder och ha en hink vatten tillhands.
- Det finns risk för elektrostatisk urladdning om verktyget används på plastmaterial eller andra elektriskt icke ledande material.
- Gnistor kastas ut i motsatt riktning när rotationsriktningen ändras.
- När rotationsriktningen ändras uppstår en reaktionskraft i motsatt riktning på operatören.

Faror vid repetitiva rörelser

- Vid användning av motordrivna verktyg för att utföra arbetsrelaterade aktiviteter, kan operatören uppleva obehag i händer, armar, axlar, nacke eller andra kroppsdelar.
- Inta en bekväm ställning med fötterna stadigt på underlaget och undvik ställningar som är obekväma eller där du kan tappa balansen. Att ändra ställning under längre arbetspass kan hjälpa till att undvika obehag och utmatning.
- Ignorera inte symptom som ihållande eller återkommande obehag, smärta, dunkningar, värk, stickningar, domningar, brännande känsla eller stelhet. Lägg ifrån dig verktyget, prata med din arbetsgivare och besök läkare.

Buller- och vibrationsrisker

- Höga ljudnivåer kan orsaka permanent hörsel förlust och andra problem, t.ex. tinnitus. Använd hörselskydd som rekommenderas av din arbetsgivare eller via arbetsskydds- och hälsoregler.
- Exponering för vibrationer kan skada nerverna och stoppa blodflödet till händerna och armarna. Bär varma kläder och håll händerna varma och torra. Om någon del av kroppen domnar, somnar, smärtar eller vitnar ska du omedelbart sluta använda verktyget och tala med din arbetsgivare och söka läkarhjälp.
- Håll verktyget i ett lätt men säkert grepp, eftersom risken för vibrationer är större om greppkraften är större. Stötta om möjligt verktygets vikt med ett balanseringsdon.
- För att förebygga onödig ökning av buller och vibration:
 - Hantera och underhåll verktyget och välj, underhåll och byt tillbehör eller slitagedelar i enlighet med instruktionshandboken;

- Använd dämpningsmaterial för att förhindra ”ekon” från arbetsstyckena.

Arbetsplatsrisker

- Om en person halkar/snubblar/faller finns risk för dödsfall eller allvarliga personskador. Var medveten om över-skjutande slang som ligger kvar på gång- och arbetsytorna.
- Undvik inandning av damm eller rök eller hantering av skräp från arbetsprocessen som kan orsaka ohälsa (t ex cancer, fosterskador, astma och/eller hudeksem). Använd utsug och andningsskydd när du arbetar med material som skapar luftburna partiklar.
- En del damm som skapas av motorblästring, -sågning, -polering, -borrning och andra konstruktionsaktiviteter innehåller kemikalier som i delstaten Kalifornien anses orsaka cancer och fosterskador eller andra reproduktiva skador. Några exempel på dessa kemikalier är:
 - Bly från blybaserad målarfärg
 - Kristallint silikattegel och cement och andra murverksprodukter
 - Arsenik och krom från kemiskt behandlat gummi

Den risk som du utsätts för varierar beroende på hur ofta du utför den här typen av arbeten. För att reducera din exponering för dessa kemikalier: arbeta i ett väl ventilerat utrymme och arbeta med godkänd säkerhetsutrustning, såsom andningsmasker som är speciellt utformade för att filtrera bort mikroskopiska partiklar.

- Arbeta försiktigt i områden som du inte känner till. Det kan finnas dolda risker såsom elledningar eller andra ledningar.
- Explosionsrisk kan uppstå i omgivningar där det förekommer damm och ångor som bildats vid slipning. Använd dammsugnings- eller undertryckningssystem som passar för det material som bearbetas.
- Detta verktyg är inte avsett för användning i potentiellt explosiv atmosfär och är inte isolerat från kontakt med spänningsförande material.

Användbar information**Ursprungsland**

Taiwan

Webbplats

Information om våra produkter, tillbehör, reservdelar och publicerade ärenden hittar du på webbplatsen för Rodcraft

Besök: www.rodcraft.com.

Säkerhetsdatablad

Säkerhetsdatabladet beskriver de kemiska produkter som säljs av Rodcraft.

Besök webbplatsen för Rodcraft om du vill veta mer qr.cp.com/sds.

Copyright

© Copyright 2023, Desoutter GmbH, Edmund-Seng-Str. 3-5, 63477 Maintal, Germany

Med ensamrätt. All obehörig användning eller kopiering av innehållet eller del därav är förbjuden. Detta gäller särskilt varumärken, modellbeteckningar, artikelnummer och ritningar. Använd bara godkända delar. Skador eller fel som orsakas genom användning av icke godkända delar täcks inte av garanti eller företagens produktansvar.

Декларации

Декларация о соответствии ЕС

Компания **Desoutter GmbH**, Edmund-Seng-Str. 3-5, 63477 Maintal, Germany, с полной ответственностью заявляет, что данное изделие (наименование, тип и серийный номер которого указаны на титульном листе) соответствует положениям следующих директив:



2006/42/EC (17/05/2006)

Были применены следующие согласованные стандарты: **EN ISO 11148-7 :2012**

Официальные органы могут запросить соответствующую техническую информацию у следующих лиц:

Pascal Roussy, R&D Manager, Ets Georges Renault, 38 rue Bobby Sands, BP10273 44818 Saint Herblain, France

Saint-Herblain, 2023/01/09

Pascal ROUSSY

Подпись

Евразийское соответствие



Декларация по шумам и вибрации

- Уровень звукового давления 90 дБ(А), погрешность 3 дБ(А), в соответствии со стандартом EN ISO 15744.
- Уровень звуковой мощности 101 дБ(А), погрешность 3 дБ(А), в соответствии со стандартом EN ISO 15744.
- Суммарное значение вибрации 4.33 м/с², погрешность 1.1 м/с², в соответствии со стандартом ISO-28927-4.

Эти заявляемые характеристики получены в результате типовых лабораторных испытаний в соответствии с указанными стандартами и подходят для сравнения с заявленными характеристиками других агрегатов, испытанных в соответствии с теми же самыми стандартами. Уровень вибрации может быть использован для предварительной оценки внешнего воздействия. Эти заявленные значения не могут быть использованы при выполнении оценки рисков. Значения, полученные непосредственно на рабочем месте, могут быть выше заявленных. Значения фактического воздействия и риск причинения вреда каждого отдельного пользователя уникальны и зависят от метода работы пользователя, обрабатываемой детали и оформления рабочего места, а также от времени воздействия и состояния здоровья пользователя.

Компания **Desoutter GmbH** не может нести ответственность за последствия использования заявленных значений вместо значений, отражающих фактическое воздействие, при оценке индивидуальных рисков в ситуации на рабочем месте, которую компания не в состоянии контролировать.

При ненадлежащей манере использования данный инструмент может вызвать вибрационный синдром рук. Руководство ЕС по контролю вибрацией рук содержится на сайте <http://www.pneurop.eu/index.php> при выборе «Инструменты» и затем «Нормативы».

Мы рекомендуем программу контроля за здоровьем, которая обеспечивает раннее обнаружение симптомов вредного воздействия вибрации и позволяет своевременно пересмотреть процедуры обслуживания, чтобы предотвратить дальнейшее ухудшение.

- ❗ Если данное оборудование предназначено для закрепленных систем:
Значение излучения шума приведено в качестве руководящей информации для изготовителя устройства. Данные по излучению шума и вибрации для всего устройства должны быть приведены в руководстве по эксплуатации устройства.

Информация относительно статьи 33 в REACH

Регламент Европейского союза (ЕС) № 1907/2006, регулирующий регистрацию, экспертизу, лицензирование и оборот химических средств (REACH), определяет, помимо прочего, требования к коммуникации в цепочке поставок. Информационные требования распространяются также на продукты, которые содержат так называемые особо опасные вещества (перечень веществ-кандидатов). 27 июня 2018 года металлический свинец (CAS номер 7439921) был внесен в перечень веществ-кандидатов.

В связи с вышеизложенным настоящим ставим вас в известность, что некоторые механические компоненты продукта могут содержать металлический свинец. Это соответствует действующему законодательству в отношении ограничения использования веществ и основано на законных исключениях, указанных в Директиве ЕС по ограничению использования опасных веществ RoHS (2011/65/EU). Металлический свинец не дает утечек или не видоизменяется в продукте во время

нормальной эксплуатации, и концентрация металлического свинца в готовом продукте намного ниже применимого порогового значения. Необходимо учитывать местные требования к утилизации свинца после окончания срока службы продукта.

Региональные требования

⚠ ПРЕДУПРЕЖДЕНИЕ

В процессе использования данного продукта существует опасность подвергнуться воздействию химических веществ, в частности, свинца, который, согласно данным, имеющимся в штате Калифорния, вызывает раковые заболевания, врожденные дефекты развития или другие патологии репродуктивной системы. Более подробная информация представлена на веб-сайте

<https://www.p65warnings.ca.gov/>

Безопасность

НЕ ВЫБРАСЫВАТЬ — ПЕРЕДАТЬ ПОЛЬЗОВАТЕЛЮ

⚠ ПРЕДУПРЕЖДЕНИЕ Ознакомьтесь со всеми предупреждениями по безопасной работе, инструкциями, иллюстрациями и спецификациями, которые поставляются вместе с данным электроинструментом.

Несоблюдение приведенных ниже инструкций может привести к поражению электрическим током, пожару и/или серьезной травме.

Сохраните все предупреждения и инструкции для справки на будущее.

⚠ ПРЕДУПРЕЖДЕНИЕ Необходимо неукоснительно соблюдать все местные законодательно закрепленные правила техники безопасности, касающиеся установки, эксплуатации и техобслуживания.

Предписание по использованию

- Только для профессионального использования.
- Запрещается модифицировать данное изделие и его принадлежности каким-либо образом.
- В случае повреждения данного изделия его использование запрещено.
- Если этикетка с информацией об изделии или с предупредительными знаками на корпусе изделия стала неразборчивой или отклеилась, без промедления замените ее.
- Данное устройство должно устанавливаться, эксплуатироваться и обслуживаться только квалифицированным персоналом в промышленных условиях.

Назначение

Данное изделие предназначено для удаления материала с помощью абразивных насадок. Любое другое использование запрещено.

Особые инструкции по устройству

Эксплуатация

Требования к подаче воздуха

1. На инструмент следует подавать чистый и сухой воздух под макс. давлением 90 фунтов на кв. дюйм, ман. (6,3 бар). Более высокое давление значительно сокращает срок службы инструмента.
2. Подключите инструмент к линии подачи воздуха, используя трубку, шланг и фитинг; размеры см. на *схеме 3*.

Установка/эксплуатация

1. Ослабьте предохранительный винт, установите отрезной диск между двумя фланцами, затяните предохранительный винт, убедитесь, что отрезной диск правильно закреплен на инструменте.
2. Подключите инструмент, как показано на *схеме 3*.
3. Чтобы запустить инструмент, потяните предохранительный рычаг (2) и нажмите на регулятор (1). Увеличьте скорость машины, увеличив давление на рычаге регулятора (1). См. *схему 2*.
4. Отпустите рычаг дроссельной заслонки (1), чтобы остановить инструмент. См. *схему 1*.

Положение поворотной головки

См. *схему 4*.

1. Остановите инструмент.
2. Надавите вперед стопорную втулку (2).
3. Измените положение головки инструмента вверх или вниз (3) или верните ее в нормальное положение. См. *схему 1*.
4. Ослабьте стопорную втулку (4). Стопорная втулка возвращается в исходное положение. См. *схему 1*.

⚠ ПРЕДУПРЕЖДЕНИЕ

- ▶ Не запускайте инструмент, если головка инструмента не заблокирована.
- ▶ Во избежание травм пальцев старайтесь не подносить их к механизмам при работе с гибкой головкой.
- ▶ Обязательно держитесь за край механизма каждый раз при регулировке гибкой головки. Без должного внимания пальцы могут быть зажаты механизмами.

Изменение направления вращения

См. *схему 5*.

1. Остановите инструмент.
2. Поверните кнопку (1) в положение «F» (вперед) или «R» (назад).
3. Снова запустите инструмент.

После завершения работы

⚠ ПРЕДУПРЕЖДЕНИЕ Время остановки может быть дольше 5 секунд.

- ▶ Прежде чем положить инструмент, убедитесь, что он выключен и полностью остановился.
- ▶ Время остановки зависит от используемого абразива.

Аккуратно положите инструмент, убедившись, что невозможен его непреднамеренный или самопроизвольный запуск.

Периодическое и текущее техническое обслуживание**Смазка**

Применяйте масло SAE #10 и масленку пневматической линии, настроенную подачу на 2 (двух) капель в минуту.

Инструкции по техобслуживанию

- При обращении со всеми компонентами и их утилизации соблюдайте предписания по защите окружающей среды, действующие в стране применения.
- Работы по техническому обслуживанию и ремонту должен выполнять квалифицированный персонал с использованием исключительно оригинальных запасных частей. По вопросам помощи с техническим обслуживанием или приобретения запасных частей обращайтесь к производителю или ближайшему авторизованному дилеру.
- Во избежание непреднамеренного включения, всегда следите за тем, чтобы станок был отсоединен от источника питания.
- При ежедневном использовании инструмента его следует разбирать и осматривать каждые 3 месяца. Поврежденные или изношенные части следует заменять.
- Для сведения времени простоев к минимуму рекомендуется использование следующего ремонтного комплекта: **Регулировочный комплект**

Утилизация

- При утилизации данного оборудования необходимо соблюдать законы, действующие в стране применения.
- Поврежденные, сильно изношенные или работающие с нарушениями устройства всегда **ДОЛЖНЫ ВЫВОДИТЬСЯ ИЗ ЭКСПЛУАТАЦИИ.**

Общие правила техники безопасности

i Дополнительная информация по технике безопасности при работе с переносными пневматическими инструментами:

- CAGI 2528 – B186.1, ПРАВИЛА ТЕХНИКИ БЕЗОПАСНОСТИ ПРИ РАБОТЕ С ПЕРЕНОСНЫМИ ПНЕВМАТИЧЕСКИМИ ИНСТРУМЕНТАМИ можно получить на веб-сайте Global Engineering Documents по адресу <https://global.ihc.com/> или по телефону +1 800 447-2273. При возникновении затруднений с получением стандартов ANSI свяжитесь с организацией ANSI через веб-сайт <http://www.ansi.org/>

Опасности, связанные с подсоединением и подачей сжатого воздуха

- Воздух под давлением может вызвать серьезную травму.
- Когда инструмент не используется, а также перед заменой его принадлежностей или при проведении ремонтных работ, обязательно отключите подачу сжатого воздуха, сбросьте давление воздуха в шланге и отсоедините инструмент от линии подачи сжатого воздуха.
- Запрещается направлять поток воздуха на себя или на кого-либо еще.
- Биение шлангов может привести к серьезной травме. Обязательно проверяйте шланги и фитинги на предмет повреждения или слабого закрепления.
- Не используйте быстроразъемные соединения на инструменте. См. указания по надлежащей подготовке к работе.
- Какие бы универсальные соединения не использовались, обязательно устанавливайте фиксирующие штифты.
- Не превышайте максимально допустимого значения давления воздуха 6,3 бара (90 фунтов на кв. дюйм, ман.) или значения, указанного на паспортной табличке инструмента.

Использование защитного кожуха

- Следует всегда использовать рекомендованный защитный кожух шлифовального круга, чтобы снизить риск получения травмы в результате вылета сломанных частей круга.
- Если кожух выдержал разрушение шлифовального круга, его не следует больше использовать. Он может быть поврежден.
- Устанавливайте кожух между шлифовальным кругом и оператором.
- Используйте защитные экраны, чтобы оградить окружающих от осколков шлифовального круга и искр.

Опасность затягивания в устройство

- Избегайте вращающегося приводного вала и абразивной насадки. Вращение может продолжаться в течение нескольких секунд после отпущания дросселя. Не кладите инструмент, пока не прекратится вращение.
- При несоблюдении безопасной дистанции между волосами, свободной одеждой, перчатками, ювелирными украшениями, шарфами или галстуками и инструментом или его принадлежностями возможны удушение, вырывание волос и сдирание кожи с головы или получение рваных ран.

Опасность вылета осколков

- При разрушении принадлежности, абразивной насадки или обрабатываемой детали возможен вылет осколков на высокой скорости. Искры, возникающие при шлифовании, и даже мелкие вылетевшие осколки могут повредить глаза и вызвать слепоту.
- Всегда надевайте ударопрочные средства защиты глаз и лица в процессе работы, ремонта или техобслуживания инструмента либо замены его принадлежностей.
- Проверьте, чтобы все находящиеся в рабочей зоне носили защитную маску или очки
- Лопнувший шлифовальный круг может стать причиной крайне тяжелой травмы или смерти.
- Ежедневно с помощью тахометра измеряйте скорость вращения пневматической шлифовальной машины, чтобы убедиться, что она не превышает значения, указанного на шлифовальном круге.
- Запрещается использовать шлифовальный круг, если указанная на нем скорость вращения ниже скорости пневматической шлифовальной машины.
- Используя предоставленные инструменты, убедитесь, что абразивная насадка прочно зафиксирована на шлифовальной машине. На фланцах не должно быть заусенцев и трещин, и они должны иметь ровные поверхности зажима. Шпиндели и их резьбы не должны иметь признаков износа или повреждения.
- Убедитесь, что обрабатываемая деталь надежно закреплена.

Опасности, связанные с принадлежностями

- Перед заменой принадлежностей обязательно отключите подачу сжатого воздуха, сбросьте давление воздуха в шланге и отсоедините инструмент от линии подачи сжатого воздуха.
- Используйте только рекомендованные размеры и типы абразивных насадок.
- Не используйте круги с трещинами или сколами, а также круги, которые, возможно, подвергались падению.
- Надлежащая установка шлифовального круга является необходимым условием для предотвращения травм в результате разламывания кругов.
- Избегайте несоответствия между резьбами UNC и метрическими резьбами.

- Шлифовальные круги должны свободно надеваться на шпиндель для предотвращения механического напряжения вокруг отверстия. Не следует использовать переходные втулки для установки шлифовальных кругов с большим отверстием.
- Для установки шлифовального круга используйте только фланцы, входящие в комплект поставки шлифовальной машины. Плоские шайбы и другие переходники могут создать в круге чрезмерное механическое напряжение. Всегда используйте дисковые прокладки из плотной бумаги между фланцами и шлифовальным кругом.
- Если в комплекте поставки имеется несколько фланцев для различных размеров и типов абразивных насадок, следует всегда выбирать подходящий фланец (или фланцы) для используемой насадки.
- При установке чашек, конусов или заглушек с резьбовыми отверстиями конец шпинделя не должен соприкоснуться с нижней частью отверстия, поскольку при этом будет создаваться механическое напряжение в абразивной насадке.
- Затяните круг на шпинделе для предотвращения его отвинчивания при выключении пневматической шлифовальной машины.
- Проверьте шлифовальный круг перед работой, запустив инструмент на полной скорости. Обязательно используйте защитный экран (например, работая под массивным рабочим столом), чтобы остановить любой возможный вылет сломанных частей круга. При возникновении чрезмерной вибрации немедленно остановите инструмент.

Опасности при работе

- Операторы и обслуживающий персонал должны быть физически в состоянии управлять с грузом, весом и мощностью инструмента.
- Держите инструмент надлежащим образом: будьте готовы противодействовать его обычным или внезапным движениям — освободите обе руки.
- При соприкосновении с принадлежностью, возникающими при шлифовании искрами или рабочей поверхностью можно получить порез или ожог. Следует избегать подобных соприкосновений и использовать средства защиты, такие как перчатки, фартук и каска.
- Избегайте защемления диска при отрезании. Поддерживайте обрабатываемую деталь с обеих сторон от линии разреза для предотвращения захвата круга. В случае защемления отпустите регулятор и осторожно высвободите круг. Прежде чем продолжить, убедитесь, что круг не поврежден и закреплен надлежащим образом.
- Запрещается использовать отрезные круги для бокового шлифования.
- Шлифовальные искры могут воспламенять одежду и вызывать серьезные ожоги. Обеспечьте защиту от контакта искр с одеждой. Пользуйтесь огнезащитной одеждой и держите поблизости ковш с водой.
- При использовании инструмента на пластиковых и других непроводящих материалах существует опасность электростатического разряда.

- В результате выброс искр происходит в противоположном направлении при изменении направления вращения.
- Следовательно, на оператора действует противоположная сила реакции при изменении направления вращения.

Опасность повторяющихся движений

- При использовании механизированного инструмента для выполнения рабочих операций могут возникать неприятные ощущения в кистях, предплечьях, плечах, шее или других частях тела.
- Сохраняйте удобное и надежное положение тела и ног, избегая неуклюжих или неустойчивых поз. Смена положения при выполнении продолжительных операций поможет избежать дискомфорта и утомления.
- Не игнорируйте такие симптомы, как постоянный или периодический дискомфорт, острая или ноющая боль, пульсация, покалывание, онемение, ощущение жжения или онемение. Прекратите работу с инструментом, сообщите своему работодателю и проконсультируйтесь с врачом.

Опасность шума и вибрации

- Высокий уровень шума может вызвать постоянную потерю слуха и другие проблемы, такие как звон в ушах. Используйте средства защиты органов слуха, рекомендованные вашим работодателем или правилами охраны труда и безопасности.
- Воздействие вибрации может привести к потере чувствительности нервных окончаний и нарушению кровоснабжения кистей и предплечий. Следует носить теплую одежду и держать руки в тепле и сухости. При онемении, покалывании, боли или побледнении кожи прекратите работу с инструментом, сообщите своему работодателю и проконсультируйтесь с врачом.
- Инструмент следует держать легко, но надежно, поскольку риск воздействия вибрации, как правило, повышается при крепкой хватке. Там, где это возможно, для поддержки веса инструмента следует использовать балансирующее устройство.
- Чтобы предотвратить ненужное повышение уровней шума и вибрации:
 - эксплуатируйте и обслуживайте инструмент, а также подбирайте, обслуживайте и заменяйте его принадлежности и расходные материалы в соответствии с данным руководством;
 - Используйте демпфирующие материалы для предотвращения «звона» обрабатываемых деталей.

Опасности на рабочем месте

- Скольжение, спотыкание и падение являются основными причинами серьезных травм и смерти. Остерегайтесь избыточных частей шлангов, оставленных в зоне прохода или на рабочей площадке.
- Не вдыхайте пыль или пары или продукты обработки, которые могут приводить к ухудшению состояния здоровья (например, рак, врожденные пороки, астма

и/или дерматит). При работе с материалами, выделяющими переносимые по воздуху частицы, используйте систему вытяжки пыли и надевайте средства защиты органов дыхания.

- Некоторые виды пыли, образующейся при пескоструйной обработке, пилении, шлифовании, сверлении и других строительных работах, содержат химические вещества, признанные в штате Калифорния веществами, вызывающими рак и врожденные пороки развития либо негативно влияющими на репродуктивную систему. Ниже перечислены некоторые из таких химических веществ:

- свинец из красок на свинцовой основе;
- кирпичи, цемент и другие стеновые изделия из кристаллического кремнезема;
- мышьяк и хром из химически обработанного каучука (резины).

Ваш риск в отношении перечисленных воздействий меняется в зависимости от того, как часто вы выполняете данный вид работ. Чтобы уменьшить воздействие на вас указанных химических веществ, работайте в хорошо вентилируемом помещении с применением одобренных средств защиты, таких как пылезащитные маски, предназначенные специально для фильтрации микроскопических частиц.

- Соблюдайте осторожность при работе в незнакомом месте. Вокруг могут присутствовать скрытые опасности, например линии электрического или другого питания.
- Пыль и пары, выделяемые при шлифовании или полировании, могут создавать потенциально взрывоопасную атмосферу. Обязательно используйте системы вытяжки или улавливания пыли, подходящие для обрабатываемого материала.
- Данный инструмент не предназначен для эксплуатации в потенциально взрывоопасной атмосфере и не защищен от контакта с источниками электроэнергии.

Полезные сведения

Страна происхождения

Taiwan

Веб-сайт

На веб-сайте Rodcraft представлена информация о наших изделиях, принадлежностях, запасных частях, а также печатные материалы.

Посетите: www.rodcraft.com.

Паспорт безопасности продукции

В паспортах безопасности продукции описаны химические продукты, поставляемые компанией Rodcraft.

Посетите веб-сайт компании Rodcraft, чтобы ознакомиться с более подробной информацией qr.cp.com/sds.

Авторское право

© Авторское право, 2023, Desoutter GmbH, Edmund-Seng-Str. 3-5, 63477 Maintal, Germany

Все права защищены. Любое несанкционированное использование или копирование содержимого настоящего документа или его части запрещено. В частности, это относится к товарным знакам, названиям моделей, номерам деталей и чертежам. Используйте только разрешенные запасные части. Любые повреждения или неисправности, возникшие в результате использования неразрешенных запасных частей, не попадают под действие гарантии и ответственности производителя за продукцию.

Deklaracje

Deklaracja zgodności EU

Firma **Desoutter GmbH**, Edmund-Seng-Str. 3-5, 63477 Maintal, Germany oświadcza na swoją wyłączną odpowiedzialność, że produkt (którego nazwę, typ i numer seryjny podano na stronie tytułowej) jest zgodny z postanowieniami następujących dyrektyw:

2006/42/EC (17/05/2006)

Obowiązujące normy zharmonizowane:

EN ISO 11148-7 :2012

Władze mogą zażądać istotnych informacji technicznych od:

Pascal Roussy, R&D Manager, Ets Georges Renault, 38 rue Bobby Sands, BP10273 44818 Saint Herblain, France

Saint-Herblain, 2023/01/09

Pascal ROUSSY



Podpis

Oświadczenie o poziomie hałasu i drgań

- Poziom ciśnienia akustycznego 90 dB(A), niepewność pomiaru 3 dB(A), zgodnie z normą EN ISO 15744.
- Poziom ciśnienia akustycznego 101 dB(A), niepewność pomiaru 3 dB(A), zgodnie z normą EN ISO 15744.
- Całkowita wartość drgań 4.33 m/s², niepewność pomiaru 1.1 m/s², zgodnie z normą ISO-28927-4.

Te deklarowane wartości zostały uzyskane w ramach prób laboratoryjnych zgodnie z wymienionymi standardami. Można ich używać do porównywania z wartościami deklarowanymi innych narzędzi przetestowanych zgodnie z tymi samymi standardami. Wartości poziomu emisji drgań można też używać do wstępnej oceny oddziaływania. Nie można ich używać do oceny ryzyka, a wartości zmierzone w poszczególnych miejscach pracy mogą być wyższe. Rzeczywiste wartości oddziaływania i ryzyko obrażeń poszczególnych użytkowników są unikatowe i zależą od sposobu pracy użytkownika, przedmiotu obrabianego i konstrukcji stanowiska pracy, a także czasu oddziaływania i warunków fizycznych użytkownika.

Firma **Desoutter GmbH** nie może ponosić odpowiedzialności za skutki stosowania deklarowanych wartości, zamiast wartości odzwierciedlających rzeczywiste narażenie na hałas i

drgania, w przypadku indywidualnej oceny zagrożeń występujących w konkretnej sytuacji w miejscu pracy, nad którą firma Desoutter nie sprawuje kontroli.

Niniejsze narzędzie może powodować wystąpienie syndromu drgań rąk-ramion (HAVS), jeśli nie jest używane we właściwy sposób. Informator Rady Unii Europejskiej dotyczący ochrony przed drganiami przenoszonymi na ręce operatora jest dostępny na stronie <http://www.pneurop.eu/index.php> po wybraniu „Tools” (Narzędzia), a następnie „Legislation” (Ustawodawstwo).

Zalecamy przeprowadzanie badań okresowych, mających na celu wykrycie objawów związanych z działaniem drgań, aby umożliwić zmianę procedur i zapobiec dalszemu pogorszeniu stanu zdrowia.

i Jeśli niniejszy sprzęt jest przeznaczony do mocowania w uchwytach:

Wielkość emisji hałasu jest podawana jako wskazówka dla konstruktora narzędzia. Odnoszące się do całego narzędzia dane dotyczące emisji drgań i hałasu powinny być zamieszczone w instrukcji obsługi narzędzia.

Informacje dotyczące artykułu 33 rozporządzenia REACH

Rozporządzenie Unii Europejskiej (UE) nr 1907/2006 w sprawie rejestracji, oceny, udzielania zezwoleń i stosowanych ograniczeń w zakresie chemikaliów (REACH) definiuje między innymi wymagania dotyczące komunikacji w łańcuchu dostaw. Wymóg informacyjny ma zastosowanie do produktów zawierających tak zwane substancje stanowiące bardzo duże zagrożenie (lista kandydacka). W dniu 27 czerwca 2018 roku do listy kandydackiej dodano ołów (CAS nr 7439-92-1).

W związku z powyższym niniejszy dokument służy poinformowaniu, że niektóre podzespoły mechaniczne produktu mogą zawierać ołów. Jest zgodny z obowiązującymi przepisami dotyczącymi substancji zakazanych i został opracowany w oparciu o zatwierdzone wyłączenia w dyrektywie RoHS (2011/65/UE). Ołów nie będzie wyciekał z produktu ani zmieniał formy podczas normalnej eksploatacji i jego stężenie w całym produkcie jest znacznie niższe niż obowiązująca wartość graniczna. Należy przestrzegać lokalnych wymagań dotyczących utylizacji ołowiu po upływie okresu eksploatacji produktu.

Wymagania regionalne

! OSTRZEŻENIE

Ten produkt może narazić użytkownika na kontakt z chemikaliami, między innymi ołowiem, który wg władz stanu Kalifornia powoduje raka, wady wrodzone i upośledzenie płodności. Więcej informacji podano w witrynie

<https://www.p65warnings.ca.gov/>

Bezpieczeństwo

Nie wyrzucać — przekazać użytkownikowi

⚠ OSTRZEŻENIE Należy przeczytać wszystkie ostrzeżenia dotyczące bezpieczeństwa oraz zapoznać się ze wszystkimi instrukcjami, ilustracjami i specyfikacjami dołączonymi do niniejszego narzędzia mechanicznego.

Nieprzestrzeżenie wszystkich zmieszczonych poniżej instrukcji może doprowadzić do porażenia prądem elektrycznym, pożaru i/lub poważnych obrażeń.

Wszystkie ostrzeżenia i instrukcje należy zachować do wykorzystania w przyszłości.

⚠ OSTRZEŻENIE Należy zawsze przestrzegać wszystkich lokalnych przepisów dotyczących instalacji, obsługi i konserwacji.

Oświadczenie o przeznaczeniu

- Wyłącznie do użytku profesjonalnego.
- Nie wolno w żaden sposób modyfikować produktu ani jego akcesoriów.
- Nie należy użytkować uszkodzonego produktu.
- Jeśli umieszczone na produkcie etykiety zawierające dane produktu lub ostrzegające przed niebezpieczeństwem przestaną być czytelne lub odpadną, należy je niezwłocznie wymienić.
- Produkt musi być instalowany, obsługiwany i serwisowany wyłącznie przez wykwalifikowaną osobę w warunkach przemysłowych.

Przeznaczenie

Niniejszy produkt jest przeznaczony do usuwania materiału przy użyciu tarcz ściernych. Używanie do innych celów jest niedozwolone.

Instrukcje dotyczące produktu

Obsługa

Wymagania dotyczące dopływu sprężonego powietrza

1. Do narzędzia należy doprowadzić czyste, suche powietrze o ciśnieniu maksymalnym 90 psig (6,3 bar). Wyższe ciśnienie drastycznie skraca żywotność narzędzia.
2. Podłączyć narzędzie do instalacji sprężonego powietrza, używając rury, węża i złączek o rozmiarach przedstawionych na *Schemacie 3*.

Montaż/obsługa

1. Poluzować śrubę zabezpieczającą, zainstalować tarczę do cięcia pomiędzy dwoma kołnierzami, dokręcić śrubę zabezpieczającą i upewnić się, że tarcza do cięcia jest prawidłowo zamocowana do narzędzia.
2. Podłączyć narzędzie jak pokazano na *Schemacie 3*.
3. W celu uruchomienia narzędzia należy pociągnąć dźwignię bezpieczeństwa (2) i nacisnąć dźwignię przepustnicy (1). Zwiększyć prędkość pracy narzędzia, stopniowo zwiększając nacisk na przepustnicę (1). *Zobaczyć Schemat 2*.

4. Zwolnić dźwignię przepustnicy (1), aby zatrzymać narzędzie *Zobaczyć Schemat 1*.

Pozycja głowicy toczącej

Zobaczyć Schemat 4.

1. Zatrzymać narzędzie.
2. Popchnąć do przodu tuleję zabezpieczającą (2).
3. Zmienić pozycję głowicy narzędzia w górę lub w dół (3) albo z powrotem do jej normalnej pozycji. *Zobaczyć Schemat 1*.
4. Zwolnić tuleję zabezpieczającą (4). Tuleja zabezpieczająca powróci do swojego pierwotnego położenia. *Zobaczyć Schemat 1*.

⚠ OSTRZEŻENIE

- ▶ Nie wolno uruchamiać narzędzia, jeśli jego głowica nie jest zabezpieczona.
- ▶ Podczas obsługi głowicy elastycznej trzymać palce z dala od mechanizmów, aby uniknąć ich obrażeń.
- ▶ Należy pamiętać, aby trzymać za krawędź mechanizmu przy każdej regulacji głowicy elastycznej. Brak uwagi może doprowadzić do przytrzaśnięcia palców w mechanizmie.

Zmiana kierunku obrotów

Zobaczyć Schemat 5.

1. Zatrzymać narzędzie.
2. Obróć pokrętko (1) do pozycji „F” lub „R”, aby uzyskać odpowiednio obroty do przodu lub do tyłu.
3. Ponownie uruchomić narzędzie.

Po zakończeniu pracy

⚠ OSTRZEŻENIE Czas zatrzymywania może być dłuższy niż 5 sekund.

- ▶ Przed odłożeniem narzędzie należy bezwzględnie wyłączyć i poczekać, aż zatrzyma się całkowicie.
- ▶ Czas zatrzymywania zależy od użytej tarczy szlifierskiej.

Ostrożnie odłożyć narzędzie, aby upewnić się, że nie uruchomi się ono samoczynnie.

Serwis i konserwacja

Smarowanie

Użyć smarownicy przewodu powietrznego zawierającej olej SAE #10 wyregulowanej na dwie (2) krople na minutę.

Wskazówki dotyczące konserwacji

- Postępować zgodnie z krajowymi przepisami dotyczącymi bezpiecznej obsługi i utylizacji wszystkich podzespołów.
- Czynności konserwacyjne i naprawcze muszą być przeprowadzane przez wykwalifikowany personel z użyciem wyłącznie oryginalnych części zamiennych. W celu uzyskania porady na temat obsługi technicznej lub części zamiennych należy skontaktować się z producentem lub najbliższym autoryzowanym dealerem.

- Zawsze sprawdzać, czy maszyna jest odłączona od źródła energii, aby uniknąć przypadkowego uruchomienia.
- Jeśli narzędzie jest używane każdego dnia, rozmontowywać je i sprawdzać co 3 miesiące. Wymieniać uszkodzone lub zużyte części.
- Aby ograniczyć przestoje do minimum, zalecany jest następujący zestaw serwisowy: **Zestaw konfiguracyjny**

Utylizacja

- Ten sprzęt należy zutylizować zgodnie z krajowymi przepisami.
- Uszkodzone, zużyte lub nieprawidłowo działające urządzenia **NALEŻY WYCOFAĆ Z EKSPLOATACJI**.

Ogólne instrukcje bezpieczeństwa

i Dodatkowe informacje dotyczące bezpieczeństwa przenośnych narzędzi pneumatycznych:

- CAGI 2528 – B186.1, KODEKS BEZPIECZEŃSTWA DLA PRZENOŚNYCH NARZĘDZI PNEUMATYCZNYCH, dostępny w Global Engineering Documents na stronie internetowej <https://global.ihs.com/> lub pod numerem tel. +1 800 447-2273. W razie trudności z uzyskaniem standardów ANSI należy skontaktować się z ANSI na stronie <https://www.ansi.org/>

Zagrożenia związane z podłączaniem do źródła sprężonego powietrza

- Powietrze pod ciśnieniem może spowodować poważne obrażenia.
- W przypadku nieużywania narzędzia lub przed przystąpieniem do zmiany akcesoriów bądź do wykonania naprawy należy zawsze odciąć dopływ sprężonego powietrza, usunąć ciśnienie z przewodu elastycznego oraz odłączyć narzędzie od źródła sprężonego powietrza.
- Nie wolno kierować sprężonego powietrza na siebie lub inną osobę.
- Węże wprawione w nagły ruch przez wydostające się sprężone powietrze mogą spowodować poważne obrażenia. Zawsze należy sprawdzić, czy elastyczne przewody pneumatyczne i złączki nie są uszkodzone lub obluźnione.
- Nie należy montować szybkozłączki bezpośrednio do narzędzia. Podłączenie należy wykonać zgodnie z instrukcją.
- W przypadku stosowania uniwersalnego wkręcane go złącza, musi być zainstalowany kołek blokujący.
- Nie wolno przekraczać maksymalnej wartości ciśnienia powietrza wynoszącej 6,3 bara (90 psig) lub wartości podanej na tabliczce znamionowej narzędzia.

Zastosowanie osłony tarczy

- Zawsze należy pamiętać o używaniu zalecanej osłony tarczy szlifierskiej, aby ograniczyć niebezpieczeństwo obrażeń spowodowanych pęknięciem tarczy szlifierskiej.
- Osłony, która powstrzymała odłamki pękniętej tarczy szlifierskiej nie należy już używać. Mogła ona ulec uszkodzeniu.

- Osłonę należy umieścić między tarczą szlifierską a operatorem.
- Stosować ekrany w celu ochrony osób postronnych przed fragmentami tarczy szlifierskiej oraz iskrami powstającymi podczas szlifowania.

Niebezpieczeństwo pochwycenia

- Zachować odstęp od obracającego się wrzeciona napędowego i tarczy ścierniej. Obroty mogą trwać jeszcze przez kilka sekund po zwolnieniu przepustnicy. Nie odkładać narzędzia do chwili zatrzymania obrotów.
- Pochwycenie luźnej odzieży, rękawic, biżuterii, krawatów bądź apaszek oraz włosów przez narzędzie lub jego akcesoria grozi uduszeniem, oskalpowaniem i/lub zranieniem.

Niebezpieczeństwo zranienia odławkami

- Uszkodzenie akcesoriów, ściernicy lub przedmiotu obrabianego może spowodować powstanie odłamków o bardzo wysokiej prędkości. Iskry powstające podczas szlifowania, a nawet małe odłamki mogą uszkodzić oczy i spowodować ślepotę.
- Podczas obsługi, naprawy lub konserwacji narzędzia lub w trakcie wymiany jego akcesoriów należy zawsze nosić odporne na uderzenia środki ochrony wzroku i twarzy.
- Należy upewnić się, czy inne osoby znajdujące się w pobliżu również noszą odporne na uderzenia środki ochrony wzroku i twarzy.
- Pękająca tarcza szlifierska może spowodować poważne obrażenia lub śmierć.
- Należy mierzyć tachometrem prędkość obrotową szlifierki pneumatycznej w celu upewnienia się, że nie przekracza ona prędkości obrotowej oznaczonej na tarczy szlifierskiej.
- W żadnym wypadku nie wolno używać tarczy ścierniej o prędkości obrotowej mniejszej niż prędkość obrotowa szlifierki pneumatycznej.
- Tarczę ścierną należy pewnie zamocować do szlifierki przy użyciu znajdujących się w wyposażeniu narzędzi. Kołnierze muszą być pozbawione zadziórów i pęknięć oraz muszą mieć płaskie powierzchnie zaciskowe. Wrzeciona i gwinty wrzecion nie mogą być uszkodzone ani zużyte.
- Upewnić się, że obrabiany przedmiot jest pewnie zamocowany.

Zagrożenia stwarzane przez akcesoria

- W przypadku wymiany akcesoriów należy zawsze odciąć dopływ sprężonego powietrza, usunąć ciśnienie z przewodu i odłączyć narzędzie od źródła sprężonego powietrza.
- Stosować wyłącznie tarcze ściernie zalecanych rozmiarów i rodzajów.
- Nie wolno używać wyszczerbionych lub pękniętych tarcz szlifierskich, bądź tarcz które mogły zostać upuszczone.
- Prawidłowy montaż tarczy szlifierskiej jest niezbędny, aby uniknąć obrażeń ciała spowodowanych jej pęknięciem.
- Unikać mieszania gwintów metrycznych i gwintów calowych.

- Tarcze szlifierskie powinny mieć pasowanie swobodne na wrzecionie, aby uniknąć powstawania naprężeń w otworze. Nie używać tulei redukcyjnych do montażu tarcz szlifierskich o większych otworach.
- Do montażu tarczy szlifierskiej używać wyłącznie kołnierzy znajdujących się w wyposażeniu szlifierki. Płaskie podkładki lub inne elementy pośredniczące mogą powodować powstawanie nadmiernych naprężeń w tarczy szlifierskiej. Zawsze stosować tarcze podkładowe z grubego papieru, umieszczone między kołnierzami a tarczą szlifierską.
- Jeśli w wyposażeniu znajduje się kilka kołnierzy dostosowanych do różnych rozmiarów i rodzajów ściernic, należy zawsze stosować właściwe kołnierze, pasujące do używanej ściernicy.
- W przypadku montażu ściernic garnkowych, stożkowych lub trzpieniowych z gwintowanymi otworami, końcówka wrzeciona nie może dotykać spodu otworu, gdyż będzie powodowała powstawanie naprężeń w ściernicy.
- Tarczę szlifierską należy mocno dokręcić na wrzecionie, aby zapobiec jej poślizgowi po wyłączeniu szlifierki pneumatycznej.
- Przed rozpoczęciem szlifowania należy sprawdzić tarczę szlifierską poprzez uruchomienie narzędzia na pełnym otwarciu przepustnicy. Należy pamiętać o zastosowaniu odpowiedniej bariery ochronnej (np. pod ciężkim stołem warsztatowym), aby zatrzymać ewentualne części pękniętej tarczy ściernic. W przypadku wystąpienia nadmiernych drgań narzędzie należy natychmiast zatrzymać.

Zagrożenia występujące podczas pracy z narzędziami

- Operatorzy i personel konserwacyjny muszą być fizycznie zdolni do obsługi narzędzia o określonej wielkości, masie i mocy.
- Narzędzie należy trzymać prawidłowo. Należy być przygotowanym do przeciwdziałania normalnym lub nagłym ruchom narzędzia i mieć do dyspozycji obie ręce.
- W przypadku kontaktu z elementem roboczym, iskrami powstającymi przy szlifowaniu lub obrabianiu powierzchnią operator może ulec zranieniu lub poparzeniu. Należy unikać tego typu kontaktu i nosić sprzęt ochrony osobistej, taki jak rękawice, fartuch i kask.
- Unikać zakleszczania się tarczy podczas cięcia. Podeprzeć część obrabianą po obu stronach linii cięcia, aby nie dopuścić do zakleszczenia się tarczy. Jeśli dojdzie do zakleszczenia, zwolnić przepustnicę i ostrożnie oswobodzić tarczę. Przed dalszą eksploatacją sprawdzić, czy tarcza nie jest uszkodzona oraz czy jest prawidłowo zamocowana.
- W żadnym wypadku nie wolno używać tarcz tnących do szlifowania bocznego.
- Iskry powstające podczas szlifowania mogą zapalić odzież i spowodować poważne oparzenia. Dopilnować, aby iskry nie spadały na odzież. Nosić ognioodporną odzież i mieć w pobliżu wiadro z wodą.
- Ryzyko wystąpienia wyładowania elektrostatycznego występuje w przypadku używania narzędzia na podłożu wykonanym z tworzywa sztucznego lub innych materiałów nieprzewodzących.

- Powoduje to wyrzucanie isker w kierunku przeciwnym przy zmianie kierunku obrotów.
- Powoduje to powstanie przeciwnej siły reakcji oddziałującej na operatora przy zmianie kierunku obrotów.

Zagrożenia związane z wykonywaniem powtarzających się ruchów

- Podczas pracy z użyciem elektronarzędzia operator może odczuwać dyskomfort w dłoniach, ramionach, barkach, szyi lub innych częściach ciała.
- Należy przyjąć wygodną pozycję, pamiętając jednocześnie o zachowaniu pewnego oparcia dla stóp i unikaniu nienaturalnych lub niezrównoważonych pozycji. Zmiana pozycji podczas wykonywania długotrwałych zadań może pomóc w uniknięciu dyskomfortu i zmęczenia.
- Nie należy ignorować takich objawów jak uporczywy lub powracający dyskomfort, ból, silne bicie serca, uczucie mrowienia, drętwienia, pieczenia lub zeszywnienia. Należy zaprzestać używania narzędzia, powiadomić pracodawcę i zasięgnąć porady lekarza.

Zagrożenia powodowane hałasem i drganiami

- Wysokie poziomy hałasu mogą spowodować trwałą utratę słuchu i inne problemy, takie jak szum w uszach. Należy stosować ochronniki słuchu zalecane przez pracodawcę lub przepisy bezpieczeństwa i higieny pracy.
- Narażenie na działanie drgań może spowodować uszkodzenie nerwów oraz upośledzenie krążenia krwi w dłoniach i ramionach. Należy nosić ciepłą odzież i utrzymywać dłonie w ciepłym i suchym stanie. W przypadku wystąpienia drętwienia, mrowienia, bólu lub bladeści skóry należy zaprzestać używania narzędzia, powiadomić pracodawcę i zasięgnąć porady lekarza.
- Narzędzie należy trzymać lekko, lecz pewnym chwytem, gdyż ryzyko powodowane drganiami jest zwykle większe, jeśli siła chwytu jest większa. Tam gdzie to możliwe należy podtrzymywać ciężar narzędzia za pomocą przeciwwagi.
- Aby zapobiec występowaniu nadmiernego wzrostu poziomu hałasu i wibracji należy:
 - użytkować i konserwować narzędzie, a także dobrać, konserwować i wymieniać akcesoria oraz materiały eksploatacyjne zgodnie ze wskazówkami zamieszczonymi w niniejszej instrukcji obsługi;
 - stosować materiały tłumiące, aby zapobiegać powstawaniu drgań przedmiotów obrabianych.

Zagrożenia związane z miejscem pracy

- Główną przyczyną poważnych obrażeń lub śmierci jest poślizgnięcie/przewrócenie/upadek. Należy uważać na luźne przewody elastyczne pozostawione w przejściach lub na powierzchniach roboczych.
- Unikać wdychania pyłu lub dymów, a także kontaktu z opiłkami powstającymi w trakcie pracy, gdyż może to spowodować pogorszenie się stanu zdrowia (na przykład przyczynić się do powstania nowotworów, wad wrodzonych, astmy i/lub zapalenia skóry). W przypadku obróbki materiałów powodujących duże zapylenie należy stosować urządzenia odpylające oraz sprzęt ochrony dróg oddechowych.

- W skład niektórych rodzajów pyłu powstającego podczas polerowania, piłowania, szlifowania, wiercenia i innych operacji wchodzi substancje chemiczne, które — zgodnie z wiedzą posiadaną przez władze stanu Kalifornia — mogą powodować nowotwory, wady wrodzone lub problemy związane z rozrodczością. Przykładami takich substancji chemicznych są między innymi:
 - ołów pochodzący z farb ołowiowych,
 - cegły silikatowe i cement oraz inne produkty murarskie,
 - arsen i chrom pochodzące z chemicznie przetwarzanej gumy.

Zagrożenia związane z oddziaływaniem tych substancji zależą od częstotliwości wykonywania tego rodzaju pracy. Aby zmniejszyć narażenie na oddziaływanie tych substancji chemicznych, należy: pracować w dobrze wentylowanych miejscach i używać atestowanego wyposażenia ochronnego, np. masek przeciwpyłowych przeznaczonych do zatrzymywania mikroskopijnych cząsteczek.

- Należy zachować ostrożność w nieznanym otoczeniu. Zagrożenie mogą stwarzać ukryte instalacje elektryczne lub inne instalacje komunalne.
- Pył i dymy powstające podczas polerowania lub szlifowania mogą stwarzać warunki sprzyjające eksplozji. Zawsze należy stosować urządzenia odpylające lub zapobiegające zapyleniu, dostosowane do obrabianego materiału.
- Niniejsze narzędzie nie jest przeznaczone do użytku w atmosferze zagrożonej wybuchem i nie ma izolacji zabezpieczającej przed zetknięciem ze źródłami energii elektrycznej.

Przydatne informacje

Kraj pochodzenia

Taiwan

Strona internetowa

Informacje o naszych produktach, akcesoriach, częściach zamiennych i publikacjach można odnaleźć na stronie Rodcraft.

Zapraszamy do odwiedzenia: www.rodcraft.com.

Karta charakterystyki materiału

Karty charakterystyki materiałów opisują produkty chemiczne sprzedawane przez firmę Rodcraft.

Więcej informacji zamieszczono na stronie internetowej Rodcraft pod adresem qr.cp.com/sds.

Prawa autorskie

© Copyright 2023, Desoutter GmbH, Edmund-Seng-Str. 3-5, 63477 Maintal, Germany

Wszelkie prawa zastrzeżone. Wszelkie nieuprawnione użytkowanie lub kopiowanie zawartości niniejszego dokumentu bądź jego części jest zabronione. Dotyczy to w szczególności znaków towarowych, oznaczeń modeli, numerów części oraz rysunków. Używać wyłącznie zatwierd-

zonych części zamiennych. Wszelkie uszkodzenia lub wadliwe działanie spowodowane używaniem niezatwierdzonych części zamiennych nie są objęte gwarancją ani odpowiedzialnością z tytułu rękojmi za wady produktu.

Vyhlásenia

EU Vyhlásenie o zhode

My, **Desoutter GmbH**, Edmund-Seng-Str. 3-5, 63477 Maintal, Germany, vyhlasujeme na našu výhradnú zodpovednosť, že výrobok (s názvom, typovým a výrobným číslom, pozri prednú stranu), je v zhode s nasledovnou(ými) smernicou(sami):

2006/42/EC (17/05/2006)

Uplatnené harmonizované normy:

EN ISO 11148-7 :2012

Orgány si môžu vyžiadať príslušné technické informácie od:

Pascal Roussy, R&D Manager, Ets Georges Renault, 38 rue Bobby Sands, BP10273 44818 Saint Herblain, France

Saint-Herblain, 2023/01/09

Pascal ROUSSY



Podpis

Vyhlásenie o hlučnosti a vibráciách

- Hladina akustického tlaku 90 dB(A) , neistota 3 dB(A), v súlade s EN ISO 15744.
- Hladina akustického výkonu 101 dB(A), neistota 3 dB(A), v súlade s EN ISO 15744.
- Celková hodnota vibrácií 4.33 m/s², neistota 1.1 m/s², v súlade s ISO-28927-4.

Tieto uvádzané hodnoty boli získané prostredníctvom laboratórnych typových skúšok v súlade so stanovenými normami a sú vhodné na porovnanie s uvádzanými hodnotami iných nástrojov, pre ktoré sa vykonali skúšky v súlade s rovnakými normami. Hladina emisie vibrácií sa môže použiť na predbežné posúdenie expozície. Tieto uvádzané hodnoty nie sú vhodné na použitie pri hodnotení rizík a hodnoty namerané na jednotlivých pracoviskách môžu byť vyššie. Aktuálne hodnoty expozície a riziko poškodenia zdravia jednotlivých používateľov sú špecifické a závisia od spôsobu práce používateľa, konkrétneho obrobku a pracoviska a tiež od času expozície a fyzickej kondície používateľa.

My, **Desoutter GmbH**, nemôžeme byť zodpovední za následky používania uvádzaných hodnôt namiesto hodnôt, ktoré zodpovedajú aktuálnemu vyžarovaniu v individuálnom posúdení rizika v situácii na pracovnom mieste, nad ktorým nemáme kontrolu.

Tento nástroj môže spôsobiť syndróm vibrácií pôsobiacich na ruky a ramená, aj nie je adekvátne spravované jeho používanie. Príručku EÚ o riešení vibrácií pôsobiacich na ruky a ramená môžete nájsť na stránke <http://www.pneurop.eu/index.php> po zvolení položiek „Nástroje“ a potom „Legislatíva“.

Odporúčame preventívnu kontrolu zdravotného stavu na detekciu včasných príznakov v dôsledku zaťaženia vibráciami, aby bolo možné upraviť postupy, ktoré by zabránili výskytu ťažkostí v budúcnosti.

- i** Ak toto zariadenie je určené pre upínacie aplikácie: Emisie hluku sú uvedené ako odporúčanie pre výrobcu stroja. Údaje o emisii hluku a vibrácií pre celý stroj nájdete v návode na obsluhu stroja.

Informácie týkajúce sa článku 33 v nariadení REACH

Európske nariadenie (EÚ) č. 1907/2006 o registrácii, hodnotení, autorizácii a obmedzovaní chemických látok (REACH) definuje, okrem iného, požiadavky súvisiace s komunikáciou v dodávateľskom reťazci. Požiadavka na informácie sa vzťahuje aj na výrobky obsahujúce tzv. látky vzbudzujúce veľmi veľké obavy („zoznam kandidátskych látok“) 27. júna 2018 bolo do zoznamu kandidátskych látok pridané kovové olovo (č. CAS 7439921).

V súlade s vyššie uvedeným vás to má informovať, že určité mechanické komponenty vo výrobku môžu obsahovať kovové olovo. Je to v zhode s aktuálnymi právnymi predpismi o obmedzovaní látok a na základe zákonných výnimiek v smernici RoHS (2011/65/EÚ). Počas normálneho používania nedôjde k úniku ani premene kovového olova z výrobku a koncentrácia kovového olova v celom výrobku je značne pod príslušnou prahovou hodnotou. Pri likvidácii olova na konci životnosti výrobku zohľadnite, prosím, miestne požiadavky.

Regionálne požiadavky

! VAROVANIE

Pri používaní tohto výrobku môžete byť vystavení chemikáliám vrátane olova, o ktorom je v štáte Kalifornia známe, že spôsobuje rakovinu a vrodené chyby alebo iné reprodukčné poruchy. Pre viac informácií prejdite na <https://www.p65warnings.ca.gov/>

Bezpečnosť

NEVYHADZUJE – ODOVZDAJTE POUŽÍVATEĽOVI

! VAROVANIE Prečítajte si všetky bezpečnostné varovania, pokyny, obrázky a špecifikácie poskytnuté s týmto elektrickým nástrojom.

Nedodržanie všetkých dole uvedených pokynov môže mať za následok zásah elektrickým prúdom, požiar a/alebo vážne poranenie.

Všetky varovania a pokyny si odložte pre budúce nahliadnutie.

! VAROVANIE Všetky lokálne legislatívne bezpečnostné predpisy, ktoré sa týkajú inštalácie, prevádzky a údržby sa musia vždy dodržiavať.

Účel použitia

- Iba pre profesionálne použitie.
- Tento výrobok a jeho príslušenstvo sa nesmie v žiadnom prípade prerábať.

- Tento výrobok nepoužívajte, ak bol poškodený.
- Ak údaje o výrobku alebo výstražné štítky upozorňujúce na nebezpečenstvo umiestnené na výrobku prestanú byť čitateľné alebo sa uvoľnia, bezodkladne ich nahraďte.
- Výrobok smie inštalovať, obsluhovať a servisovať iba kvalifikovaná osoba v priemyselnom prostredí.

Určené použitie

Tento výrobok je navrhnutý na odstraňovanie materiálu pomocou abrazívnych prostriedkov. Iné použitie nepovolene.

Pokyny špecifické pre výrobok

Obsluha

Požiadavky na zásobovanie vzduchom

1. Do nástroja dodávajte čistý, suchý vzduch s maximálnym tlakom 90 psi (6,3 bar). Vyšší tlak drasticky skracuje životnosť nástroja.
2. Pripojte nástroj ku vzduchovému potrubiu pomocou rúrky, hadice a armatúry, veľkosti sú zobrazené v schéme 3.

Inštalácia/prevádzka

1. Uvoľnite poistnú skrutku, namontujte rezný kotúč medzi príruby, utiahnite poistnú skrutku, uistite sa, že rezný kotúč je správne upevnený k nástroju.
2. Pripojte nástroj, ako je to zobrazené v schéme 3.
3. Na spustenie nástroja potiahnite bezpečnostnú páčku (2) a stlačte páčku škrtiacej klapky (1). Zvýšte otáčky stroja zvýšením tlaku na páčku škrtiacej klapky (1). *Pozri schéma 2.*
4. Uvoľnite páku plynu (1), aby ste zastavili náradie. *Pozri schéma 1.*

Poloha otočenia hlavy

Pozri schéma 4.

1. Zastavte nástroj.
2. Potlačte dopredu poistné puzdro (2).
3. Zmeňte polohu hlavy nástroja nahor alebo nadol (3), resp späť do normálnej polohy. *Pozri schéma 1.*
4. Uvoľnite poistné puzdro (4). Poistné puzdro sa vráti do svojej pôvodnej polohy. *Pozri schéma 1.*

! VAROVANIE

- ▶ Nespúšťajte nástroj, ak nie je zamknutá hlava nástroja.
- ▶ Predchádzajte poraneniám prstov tým, že budete svoje prsty držať ďalej od mechanizmu počas prevádzky ohybnej hlavy.
- ▶ Pri každom nastavovaní ohybnej hlavy sa držte hrany mechanizmu. Ak nebudete dávať pozor, prsty sa vám môžu zachytiť do mechanizmu.

Zmena smeru otáčania

Pozri schéma 5.

1. Zastavte nástroj.
2. Otočte tlačidlo (1) do polohy 'F', resp. 'R' pre otáčanie dopredu, resp. dozadu.
3. Znova spustite nástroj.

Po skončení prác

⚠ VAROVANIE Čas do zastavenia môže byť viac ako 5 sekúnd.

- Pred odložením nástroja sa uistite, že je vypnutý a že sa úplne zastavil.
- Čas do zastavenia závisí od použitého brusiva.

Opatrne položte nástroj, aby sa sám nespustil samočinne/sám od seba.

Servis a údržba

Mazanie

Použite olejnicu s olejom SAE #10 nastavenou na dve (2) kvapky za minútu.

Pokyny pre údržbu

- **Dodržiavajte miestne environmentálne predpisy pre bezpečnú manipuláciu so všetkými komponentmi a ich likvidáciu.**
- Údržbu a opravy musí vykonávať kvalifikovaný personál používajúci iba originálne náhradné diely. Ak potrebujete poradenstvo o technických službách alebo náhradné diely, obráťte sa na výrobcu alebo na najbližšieho autorizovaného predajcu.
- Vždy zabezpečte, aby bol stroj odpojený od zdroja energie, aby sa predišlo náhodnej prevádzke.
- Ak sa nástroj používa každý deň, demontujte a skontrolujte ho každé 3 mesiace. Vymeňte poškodené alebo opotrebované diely.
- Na minimalizáciu prestojov sa odporúča nasledujúca servisná súprava: **Nastavovacia súprava**

Likvidácia

- Pri likvidácii tohto zariadenia dodržiavajte právne predpisy príslušnej krajiny.
- Všetky poškodené, silno opotrebované alebo nesprávne fungujúce zariadenia **SAMO MUSIA VYRADIŤ Z PREVÁDZKY.**

Všeobecné bezpečnostné pokyny

i **Doplňujúce bezpečnostné informácie týkajúce sa prenosných pneumatických nástrojov:**

- CAGI 2528 - B186.1, BEZPEČNOSTNÝ KÓD PRE PRENOSNÉ PNEUMATICKÉ NÁSTROJE, k dispozícii z Global Engineering Documents na stránke <https://global.ihs.com/> alebo zavolajte na číslo +1 800 447-2273. V prípade ťažkostí so získaním noriem ANSI kontaktujte ANSI cez stránku <https://www.ansi.org/>

Prívod vzduchu a nebezpečenstvá napojenia

- Vzduch pod tlakom môže spôsobiť vážne zranenie.

- Keď nástroj nepoužívate, pred výmenou príslušenstva alebo pri oprave vždy vypnite prívod vzduchu, z hadice vytlačte vzduch pod tlakom a nástroj odpojte od prívodu vzduchu.
- Vzduch pod tlakom môže spôsobiť vážne zranenie.
- Šľahajúce hadice môžu spôsobiť vážne zranenie. Vždy skontrolujte, či nie sú hadice a fittingy poškodené alebo uvoľnené.
- Na nástroji nepoužívajte rýchlospojky. Pozrite si pokyny pre správne nastavenie.
- Keď sa používa univerzálna závitová spojka, vždy sa musia nainštalovať poistné kolíky.
- Neprekračujte maximálny tlak vzduchu 6,3 bar / 90 psi, ako je uvedené na štítku nástroja.

Použitie ochranného štítu

- Vždy používajte odporúčaný chránič kotúča na zníženie nebezpečenstva poranenia z odlomených častí brúsneho kotúča.
- Ak chránič odolal rozpadnutiu kotúča, už ho viac nepoužívajte. Môže byť poškodený.
- Chránič namontujte do polohy medzi brúsny kotúč a obsluhu.
- Používajte zábrany na ochranu iných osôb pred úlomkami kotúča a iskrami z brúsenia.

Nebezpečenstvá zamotania

- Nepribližujte sa k rotujúcemu hnaciemu vretieniu a brusivu. Rotácia môže pokračovať ešte niekoľko sekúnd po pustení vypínača. Nástroj neodkladajte, pokiaľ sa rotácia nezastavila.
- V prípade, že sa nezachová dostatočná vzdialenosť medzi voľným oblečením, rukavicami, šperkami, náhrdelníkmi, vlasmi a nástrojom a jeho príslušenstvom, môže dôjsť k duseniu, skalpovaniu alebo tržným ranám.

Nebezpečenstvo projektívov

- Zlyhanie príslušenstva, brusiva alebo obrobku môže znamenať vznik vysokorýchlych projektívov. Iskry z brúsenia i malé odskakujúce častice môžu zraniť oči a spôsobiť stratu zraku.
- Pri prevádzke, oprave alebo údržbe nástroja alebo pri výmene príslušenstva nástroja vždy používajte ochranu očí a tváre odolnú voči nárazom.
- Uistite sa, že aj ďalšie osoby v pracovnom priestore nosia nárazuvzdorné ochranné prostriedky očí a tváre.
- Brusný kotúč, ktorý praskne, môže spôsobiť vážne poranenie alebo smrť.
- Merajte rýchlosť pneumatickej brúsky rýchlomerom každý deň na kontrolu, či nie je väčšia ako počet ot./min (RPM), ktoré sú uvedené na brúsnom kotúči.
- Nikdy nepoužívajte brúsny kotúč označený s nižšou rýchlosťou, ako je rýchlosť pneumatickej brúsky.
- Pomocou dodaných nástrojov sa uistite, či je brusivo pevne upnuté k brúske. Prírubby nesmú mať vypuklé časti ani praskliny a musia mať ploché upínacie povrchy. Vretiená a vretienové závitky nesmú byť poškodené ani opotrebované.
- Skontrolujte, či je obrobok bezpečne upnutý.

Nebezpečenstvá pri príslušenstve

- Pri výmene príslušenstva vždy vypnite prívod vzduchu, z hadice vytlačte vzduch pod tlakom a nástroj odpojte od prívodu vzduchu.
- Používajte len odporúčané veľkosti a typy brúsnych častí.
- Nepoužívajte olámané ani prasknuté kotúče, ani kotúče, ktoré spadli.
- Správne upevnenie brúsneho kotúča je nevyhnutné pre zabránenie vzniku poranenia z polámaných brúsnych kotúčov.
- Zabráňte pomiešaniu UNC a metrických závitov.
- Osadenie brúsnych kotúčov do vretena by malo byť voľné, aby nedochádzalo ku pnutiu v otvore. Nepoužívajte redukčné vložky na osadenie brúsnych kotúčov s veľkým otvorom.
- Na montáž brúsnych kotúčov používajte iba príruby, ktoré boli dodané s brúskou. Ploché podložky alebo iné nástavce by mohli nadmerne namáhať kotúč. Medzi príruby a brúsny kotúč vždy vložte kotúče zo siveho tvrdého papiera.
- Ak je dodaných niekoľko prírub, aby vyhovovali rôznym veľkostiam a typom brusív, vždy namontujte správnu prírubu(y) pre použité brusivo.
- Pri montáži hrncovitých, zápustových alebo kónických kotúčov so závitovými otvormi nesmie prísť koniec vretena do kontaktu so spodkom otvoru, pretože by došlo k namáhaniu brusiva.
- Utiahnite kotúč na vreteno pre zabránenie odtočenia pri vypnutí pneumatickej vrtačky.
- Pred brúsením vyskúšajte brúsny kotúč spustením nástroja na plný plyn. Používajte zábrany (napr. pod ťažkým pracovným stolom) na zastavenie akýchkoľvek mocných odlomených častí kotúča. Ihneď zastavte, ak sú vibrácie neznesiteľné.

Nebezpečenstvá pri prevádzke

- Pracovníci obsluhy a údržby musia byť fyzicky schopní s objemným, ťažkým a mohutným nástrojom manipulovať.
- Nástroj držte v správnej polohe: buďte pripravení reagovať na normálne alebo náhle pohyby – držte obidve ruky voľne.
- Môže dôjsť k porezaniu alebo popáleniu, ak dôjde ku kontaktu s príslušenstvom, iskrami z brúsenia alebo pracovnou plochou. Predíd'te takémuto kontaktu a používajte ochranné prostriedky, ako sú rukavice, zástera a prilba.
- Zabráňte zaseknutiu kotúča pri rezaní. Obrobok upnite na oboch stranách pozdĺž reznej čiary, aby nedošlo k zachyteniu kotúča. Ak dôjde k zachyteniu, pustite škrtiacu klapku a uvoľnite kotúč. Skontroluje, či je kotúč nepoškodený a správne zabezpečený pred pokračovaním v práci.
- Nikdy nepoužívajte rezné kotúče na bočné brúsenie.
- Iskry z brúsenia môžu vznietiť oblečenie a spôsobiť vážne popáleniny. Zaisťte, aby na oblečenie nedopadali iskry. Noste ohňovzdorné oblečenie a majte na blízku vedro s vodou.

- Hrozí nebezpečenstvo elektrostatického výboja pri použití nástroja na plastoch alebo iných nevodivých materiáloch.
- Pri zmene smeru otáčania spôsobí vystrelenie iskier do opačného smeru.
- Pri zmene smeru otáčania spôsobí opačnú reakčnú silu od operátora.

Nebezpečenstvá z opakovaných pohybov

- Pri používaní elektrického nástroja za účelom vykonania pracovných úloh môže operátor pocítiť nepohodlie v rukách, ramenách, pleciach, krku alebo iných častiach tela.
- Zaujmite pohodlné držanie tela a zároveň si zachovajte bezpečný postoj, aby ste sa vyhli neprirodzeným alebo nerovnovážnym polohám. Zmena postoja počas dlho trvajúcich prác môže pomôcť predísť nepohodliu a únavu.
- Neignorujte symptómy ako trvalé alebo opakujúce sa nepohodlie, bolesť, búšenie, bodavú bolesť, trpnutie, necitlivosť, pálenie alebo stuhnutie. Prestaňte používať nástroj, informujte vášho zamestnávateľa a vyhľadajte lekára.

Nebezpečenstvá spôsobené hlukom a vibráciami

- Vysoké úrovne hluku môžu spôsobiť trvalú stratu sluchu alebo iné problémy, ako napr. hučanie v ušiach. Používajte ochranu sluchu odporúčanú zamestnávateľom alebo predpismi týkajúcimi sa zdravia a bezpečnosti na pracovisku.
- Vystavenie vibráciám môže spôsobiť vážne poškodenie nervov a prívodu krvi na rukách a ramenách. Noste teplé oblečenie a uchovajte si ruky teplé a suché. Ak dôjde k znecitliveniu, trpnutiu, bolesti alebo zbeleniu kože, prestaňte s nástrojom pracovať, informujte vášho zamestnávateľa a vyhľadajte lekára.
- Nástroj uchopte zľahka ale bezpečne, pretože nebezpečenstvo spôsobované vibráciami je väčšie pri pevnejšom uchopení. Vždy, keď je to možné, vyvážite hmotnosť nástroja balancérom.
- Aby ste predišli zbytočnému zvyšovaniu úrovni hluku a vibrácií:
 - Nástroj prevádzkujte a servisujte, a vyberte, servisujte a nahraďte príslušenstvo a spotrebné diely v súlade s týmto návodom na obsluhu.
 - Použite tlmiace materiály, aby ste predišli „zvoneniu“ obrobkov.

Nebezpečenstvá na pracovisku

- Pošmyknutie/zakopnutie/pád sú významnou príčinou vážneho zranenia alebo smrti. Dávajte pozor na nadbytočné hadice ponechané na povrchu, kde sa chodí alebo pracuje.
- Predíd'te vdýchnutiu prachu, výparov alebo sutiny, ktoré vznikli pri práci a ktoré môžu spôsobiť zdravotné problémy (napr. rakovinu, pôrodné defekty, astmu a/alebo zápal kože). Pri práci s materiálmi, pri ktorých vznikajú vzduchové častice, používajte odsávanie prachu a vybavenie na ochranu dýchania.
- Niektoré prachy vytvorené pri pieskovaní, pílení, brúsení, vŕtaní a iných stavebných aktivitách obsahujú chemikálie, o ktorých je v štáte Kalifornia známe, že spôsobujú

rakovinu a vrodené chyby alebo iné reprodukčné poškodenia. Medzi niektoré príklady takýchto chemikálií patria:

- olovo z olovnatých farieb,
- tehly a cement s kryštalického kremeňa a iné murárske produkty,
- arzén a chróm z chemicky ošetrenej gummy.

Vaše riziko pri týchto expozíciách sa líši podľa toho, ako často vykonávate tento druh práce. Na zníženie expozície týchto chemikálií: pracujte v dobre vetranej oblasti a pracujte so schváleným bezpečnostným vybavením ako napríklad maskou proti prachu, ktoré je špeciálne navrhnutá na odfiltrovanie mikroskopických častíc.

- V neznámom prostredí postupujte opatrne. Môžu tam hroziť skryté riziká, ako napríklad elektrina alebo iné vedenia.
- Prach a výpary v dôsledku pieskovania a brúsenia môžu spôsobiť vznik potenciálne výbušných atmosfér. Používajte systém na odsávanie alebo odrušenie, ktorý je vhodný na spracovávaný materiál.
- Tento nástroj nie je určený na prácu v potenciálne výbušných atmosférach a nie je izolovaný pred kontaktom so zdrojmi elektrického prúdu.

Užitočné informácie

Krajina pôvodu

Taiwan

Webová stránka

Informácie ohľadne našich výrobkov, príslušenstva, náhradných dielov a zverejnených materiálov nájdete na webovej stránke Rodcraft.

Navštívte, prosím: www.rodcraft.com.

Karta bezpečnostných údajov

Karty bezpečnostných údajov popisujú chemické výrobky predávané spoločnosťou Rodcraft.

Pre viac informácií navštívte webovú stránku spoločnosti Rodcraft qr.cp.com/sds.

Copyright

© Copyright 2023, Desoutter GmbH, Edmund-Seng-Str. 3-5, 63477 Maintal, Germany

Všetky práva vyhradené. Akékoľvek neautorizované použitie alebo kopírovanie obsahu alebo jeho časti je zakázané. Týka sa to predovšetkým obchodných značiek, označení modelov, čísiel dielov a výkresov. Používajte iba autorizované diely. Na akékoľvek škody alebo zlyhania spôsobené používaním neautorizovaných dielov sa nevzťahuje záruka ani ručenie za produkt.

Prohlášení

Prohlášení o shodě s předpisy EU

My, společnost **Desoutter GmbH**, Edmund-Seng-Str. 3-5, 63477 Maintal, Germany, na vlastní odpovědnost prohlašujeme, že produkt (s názvem, typem a sériovým číslem, viz přední stranu) splňuje požadavky těchto směrnic:

2006/42/EC (17/05/2006)

Použité harmonizované normy:

EN ISO 11148-7 :2012

Úřady si mohou vyžádat příslušné technické informace od:

Pascal Roussy, R&D Manager, Ets Georges Renault, 38 rue Bobby Sands, BP10273 44818 Saint Herblain, France

Saint-Herblain, 2023/01/09

Pascal ROUSSY



Podpis

Prohlášení o hluku a vibracích

- Úroveň akustického tlaku 90 dB(A), neurčitost 3 dB(A), v souladu s EN ISO 15744.
- Úroveň akustického výkonu 101 dB(A), neurčitost 3 dB(A), v souladu s EN ISO 15744.
- Celková hodnota vibrací 4.33 m/s², nejistota 1.1 m/s², v souladu s normou ISO-28927-4.

Tyto deklarované hodnoty byly zjištěny laboratorní typovou zkouškou v souladu s uvedenými normami a jsou vhodné k porovnání s deklarovanými hodnotami jiných nástrojů testovaných v souladu s těmi stejnými normami. Tuto hodnotu emisí vibrací lze použít pro předběžné posouzení expozice. Tyto deklarované hodnoty nejsou vhodné k použití při posuzování rizik a hodnoty naměřené na jednotlivých pracovištích mohou být vyšší. Skutečné hodnoty expozice a riziko poškození, kterým jsou vystaveni jednotliví uživatelé, jsou jedinečné a závisí na způsobu práce uživatele, na obrobku a na plánu pracovní stanice, na době expozice a fyzickém stavu uživatele.

My, společnost **Desoutter GmbH**, neponese žádnou odpovědnost za důsledky použití deklarovaných hodnot místo hodnot odrážejících skutečnou expozici, při individuálním hodnocení rizik v konkrétní situaci na pracovišti, kterou nemůžeme nijak ovlivnit.

Tento nástroj, pokud není přiměřeným způsobem používán, může způsobovat vibrační syndrom ruky a paže. Pokyny EU týkající se zvládnání vibrací ruky a paže naleznete na webové stránce <http://www.pneurop.eu/index.php>, kde zvolte možnost „Tools“ (Nástroje) a poté „Legislation“ (Legislativa).

Doporučujeme program zdravotního dohledu umožňující včasné odhalení symptomů, které mohou souviset se zatížením vibracemi, aby bylo možné upravit řídicí procesy s cílem předcházení budoucím újmám.

- ⓘ Pokud je toto zařízení určeno pro vestavěné aplikace: Hlukové emise jsou uvedeny jako vodítko pro výrobce stroje. Údaje o hlukových a vibračních emisích pro celý stroj musí být uvedeny v návodu k použití stroje.

Informace ohledně článku 33 nařízení REACH

Nařízení Evropského parlamentu a Rady (ES) č. 1907/2006 o registraci, hodnocení, povolování a omezování chemických látek (REACH) kromě dalších záležitostí definuje požadavky vztahující se ke komunikaci v rámci dodavatelského řetězce. Požadavek na informace platí i pro produkty obsahující tzv. látky vzbuzující mimořádné obavy („Seznam kandidátů“). Dne 27. června 2018 bylo na seznam kandidátů zařazeno olovo (č. CAS 7439-92-1).

V souladu s výše uvedeným vás tímto informujeme, že určité mechanické součásti produktu mohou obsahovat olovo. To je v souladu s aktuální legislativou o omezení látek a na základě platných výjimek ve Směrnici o omezení používání některých nebezpečných látek v elektrických a elektronických zařízeních (2011/65/EU) známé i pod zkratkou RoHS. Olovo nebude během běžného používání z produktu unikat ani v něm mutovat a celková koncentrace olova v produktu je výrazně pod platnou prahovou mezí. Zkontrolujte místní požadavky ohledně likvidace olova na konci životnosti produktu.

Oblastní požadavky

⚠ VÝSTRAHA

U tohoto výrobku můžete být vystaveni působení chemických látek včetně olova, což je ve státě Kalifornie faktor způsobující rakovinu, poškození plodu nebo jiné reprodukční poškození. Více informací je k dispozici na stránce

<https://www.p65warnings.ca.gov/>

Bezpečnost

NEVYHAZUJTE – PŘEDEJTE UŽIVATELI

⚠ VÝSTRAHA Přečtěte si všechny bezpečnostní výstrahy, pokyny, ilustrace a specifikace dodané s tímto elektrickým nástrojem.

Nedodržení veškerých níže uvedených pokynů může mít za následek úraz elektrickým proudem, požár a/nebo vážný úraz.

Uchovávejte všechny texty varování a pokynů i pro budoucí potřebu.

⚠ VÝSTRAHA Vždy dodržujte všechna zákonná bezpečnostní pravidla týkající se instalace, provozu a údržby produktu.

Prohlášení o použití

- Pouze pro profesionální použití.
- Tento nástroj a jeho příslušenství je zakázáno jakýmkoliv způsobem upravovat.
- Nepoužívejte tento produkt, pokud je poškozen.
- Pokud na produktu nejsou čitelné štítky s údaji o produktu či výstražné štítky, nebo pokud dojde k jejich oddělení od produktu, bez prodlení je nahraďte novými.

- Tento produkt smí instalovat, používat či provádět jeho servis pouze kvalifikované osoby v průmyslovém montážním prostředí.

Určené použití

Tento produkt je zkonstruován pro odstraňování materiálu pomocí brusných materiálů. Jiné použití není povoleno.

Pokyny specifické pro produkt

Provoz

Požadavky na přívod vzduchu

1. Do nástroje přivádějte čistý, suchý vzduch o maximální tlaku 6,3 baru (90 psi). Vyšší tlak výrazně snižuje životnost nástroje.
2. Připojte nástroj ke vzduchovému vedení pomocí potrubí, hadice a šroubení velikosti uvedené ve *Schématu 3*.

Instalace/provoz

1. Povolte bezpečnostní šroub, nainstalujte řezný kotouč mezi dvě příruby, utáhněte bezpečnostní šroub, ujistěte se, že řezný kotouč je správně připevněn k nástroji.
2. Připojte nástroj jako ve *Schématu 3*.
3. Chcete-li nástroj spustit, zatáhněte za bezpečnostní páku (2) a stiskněte páčku škrticího ventilu (1). Zvýšením tlaku na páku škrticího ventilu (1) zvyšte otáčky stroje. *Viz Schéma 2*.
4. Uvolněte páčku plynu (1), aby se nářadí zastavilo. *Viz Schéma 1*.

Poloha otáčecí hlavy

Viz Schéma 4

1. Zastavte nástroj.
2. Zatlačte pojistné pouzdro dopředu (2).
3. Změňte polohu hlavy nástroje směrem nahoru nebo dolů (3) nebo zpět do běžné polohy. *Viz Schéma 1*.
4. Povolte pojistné pouzdro (4) Pojistné pouzdro se vrátí do původní polohy. *Viz Schéma 1*

⚠ VÝSTRAHA

- ▶ Pokud hlava nástroje není uzamčena, nespouštějte nástroj.
- ▶ Předcházejte poranění prstů tím, že při ovládání flexibilní hlavy nebudete mít prsty na mechanismech.
- ▶ Při každém seřizování flexibilní hlavy dbejte na to, abyste drželi okraj mechanismu. Bez věnování pozornosti může dojít k zachycení prstů mechanismem.

Změna směru otáčení

Viz Schéma 5

1. Zastavte nástroj.
2. Otočte knoflíkem (1) do polohy „F“, nebo „R“ pro otáčení dopředu, resp. dozadu.
3. Znovu spusťte nástroj.

Po skončení práce**⚠ VÝSTRAHA** Doba zastavení může být delší než 5 sekund.

- ▶ Před odložením nástroje se ujistěte, zda je nástroj vypnut a došlo k jeho úplnému zastavení.
- ▶ Doba zastavení závisí na použitém brusném materiálu.

Opatrně nástroj položte, abyste se ujistili, že se nástroj sám/sama nerozběhne.

Servis a údržba**Mazání**

Použijte přimazávač vzduchu s olejem SAE #10 nastavený na dvě (2) kapky za minutu.

Pokyny týkající se údržby

- Při bezpečné manipulaci a likvidaci všech součástí **do** držte předpisy o ochraně životního prostředí platné v dané zemi.
- Údržbu a opravy musí provádět kvalifikovaný pracovník, který smí používat výhradně originální náhradní díly. Pokud potřebujete rady týkající se technických služeb nebo vyžadujete náhradní díly, kontaktujte výrobce nebo nejbližšího autorizovaného prodejce.
- Vždy se ujistěte, že je stroj odpojen od zdroje energie, aby nedošlo k náhodnému spuštění.
- Pokud se nástroj používá denně, každé 3 měsíce jej rozmontujte a zkontrolujte. Vadné nebo opotřebované díly vyměňte.
- Aby se odstávka zkrátila na minimum, doporučujeme následující servisní sadu: **Seřizovací sada**

Likvidace

- Při likvidaci tohoto zařízení je nutno dodržovat právní předpisy příslušné země.
- Veškerá poškozená, silně opotřebovaná nebo nesprávně fungující zařízení **MUSÍ BÝT VYŘAZENA Z PROVOZU**.

Obecné bezpečnostní pokyny**ⓘ Další bezpečnostní informace ohledně přenosného pneumatického nářadí:**

- CAGI 2528 - B186.1, SAFETY CODE FOR PORTABLE AIR TOOLS (Bezpečnostní pravidla pro přenosné pneumatické nářadí), k dispozici na webových stránkách Global Engineering Documents na adrese <https://global.ihs.com/> nebo na telefonním čísle +1 800 447-2273. V případě obtíží při získávání norem ANSI se obraťte na organizaci ANSI prostřednictvím webové stránky <https://www.ansi.org/>

Přívod vzduchu a nebezpečí při připojení

- Vzduch pod tlakem může způsobit vážný úraz.

- Vždy vypněte přívod vzduchu, z hadic vypustíte tlak vzduchu a odpojte nástroj od přívodu vzduchu, pokud se nástroj nepoužívá, před výměnou jeho příslušenství nebo při provádění jeho oprav.
- Proud vzduchu nikdy nemířte na sebe ani na nikoho jiného.
- Házení hadic může způsobit vážný úraz. Vždy zkontrolujte, zda hadice a spojky nejsou poškozené nebo uvolněné.
- Nikdy nepoužívejte rychlospojky. Viz pokyny pro správné nastavení.
- Univerzální utahovací spojky musejí být vždy použity s pojistnými kolíky.
- Nepřekračujte maximální tlak vzduchu 6,3 baru / 90 psig nebo tlak uvedený na štítku nástroje.

Použití krytu brusného kotouče

- Vždy používejte doporučený chránič kotouče pro snížení nebezpečí poranění z odlomených částí brusného kotouče.
- Pokud chránič odolal rozpadnutí kotouče, již jej dále nepoužívejte. Může být poškozen.
- Chránič namontujte do polohy mezi brusným kotoučem a operátorem.
- Používejte zábrany na ochranu jiných osob před úlomky kotouče a jiskrami z broušení.

Nebezpečí namotání

- Zůstávejte se mimo dosah rotujícího vřetena a brusiva. Rotace může pokračovat ještě několik sekund po uvolnění škrticího ventilu. Nástroj neodkládejte, dokud se rotace zcela nezastaví.
- Pokud nebudete udržovat volné části oděvu, rukavice, šátek nebo jiné oděvní součásti či ozdoby nošené na krku a vlasy v dostatečné vzdálenosti od nástroje a příslušenství, může dojít k jejich zachycení nástrojem, což vám může způsobit udušení, skalpování anebo tržné rány.

Rizika odlétávajících předmětů

- Při poškození příslušenství, brusiva nebo obrobku mohou vznikat předměty odlétávající vysokou rychlostí. Jiskry z broušení a malé odlétávající předměty mohou způsobit poranění očí a následnou slepotu.
- Při práci, opravě a údržbě nástroje vždy používejte nárazuvzdorné ochranné brýle, což platí i při výměně příslušenství.
- Ověřte, zda všichni v pracovním prostoru mají nárazuvzdorné brýle a obličejové kryty.
- Brusný kotouč, který praskne, může způsobit vážná poranění nebo smrt.
- Každý den měřte rychlost pneumatické brusky rychloměrem za účelem kontroly, zda rychlost není větší než hodnota otáček za minutu, která je uvedena na brusném kotouči.
- Nikdy nepoužívejte brusný kotouč s uvedenou nižší rychlostí, než je rychlost pneumatické brusky.
- Pomocí dodaných nástrojů zajistěte, aby brusný materiál byl pevně připevněn k brusce. Přírubové spojky nesmí být otřepené nebo prasklé a musí mít rovnou styčnou plochu. Vřetena, včetně závitů vřetena, nesmějí být poškozená nebo opotřebovaná.

- Dbejte na to, aby byl obrobek řádně upevněn.

Rizika spojená s příslušenstvím

- Vždy, když vyměňujete příslušenství, vypněte přívod vzduchu, uvolněte tlak vzduchu a odpojte nástroj od přívodu vzduchu.
- Používejte pouze doporučené velikosti a typy brusných materiálů.
- Nepoužívejte olámané nebo prasklé kotouče, nebo kotouče, které upadly na zem nebo jiný povrch.
- Brusný kotouč musí být správně upevněn, aby nedošlo ke zranění z důvodu jeho poškození.
- Vyvarujte se záměny UNC závitů a metrických závitů.
- Osazení brusných kotoučů do vřetena by mělo být volné, aby nedocházelo k pnutí v otvoru brusného kotouče. Nepoužívejte redukční vložky pro osazení brusných kotoučů s velkým otvorem.
- K montáži brusných kotoučů používejte pouze přírubové spojky, které byly dodány s bruskou. Ploché podložky nebo jiné nástavce by mohly způsobovat namáhání kotouče. Mezi brusný kotouč a přírubové spojky vždy vložte kotouče ze savého tvrdého papíru.
- Pokud byly dodány různé přírubové spojky pro různé velikosti a typy brusných materiálů, používejte pro konkrétní brusný materiál vždy správné přírubové spojky.
- Při upínání brusných materiálů s konickou podložkou, kuželem nebo čepem se závitovým otvorem se konec vřetena nesmí dotýkat dna otvoru, protože by vzniklo pnutí v brusném materiálu.
- Utáhněte kotouč k vřetenu pro zabránění odtočení při vypnutí pneumatické brusky.
- Před broušením otestujte brusný kotouč spuštěním nástroje na plný plyn. Používejte zábranu (např. těžký pracovní stůl) k zastavení jakýchkoli případných odlomených částí kotouče. Ihned nástroj zastavte, jakmile se vibrace stanou nesnesitelnými.

Provozní rizika

- Osoby provádějící obsluhu a údržbu musí být fyzicky schopné manipulovat s objemným, těžkým a výkonným nástrojem.
- Držte nástroj správně: mějte připraveny obě ruce na zvládnutí normálních i náhlých pohybů.
- Pokud se dotknete příslušenství, jisker z broušení nebo pracovního povrchu, může dojít k pořezání nebo popálení. Zabraňte kontaktu a používejte ochranné pomůcky, jako jsou například rukavice, zástěra a ochranná přilba.
- Vyvarujte se zaseknutí kotouče při řezání. Obrobek upněte na obou stranách podél řezné čáry, aby nedošlo k zachycení kotouče. Pokud k zachycení přesto dojde, pusťte vypínač a kotouč uvolněte. Před dalším pokračováním v práci zkontrolujte, zda je kotouč nepoškozený a správně zajištěný.
- Nikdy nepoužívejte řezné kotouče pro boční broušení.
- Jiskry vznikající při broušení mohou způsobit vznícení oděvu, a způsobit tak vážné popáleniny. Dbejte, aby jiskry nepadaly na oděv. Noste oděv z materiálu zpomalujícího hoření a mějte po ruce vědro s vodou.

- Je-li nástroj používán na plastech nebo jiných nevodivých materiálech, hrozí nebezpečí elektrostatického výboje.
- Změna směru otáčení způsobuje vystřelování jisker v opačném směru.
- Při změně směru otáčení působí na obsluhu opačnou reakční silou.

Rizika spojená s opakovaným pohybem

- Při používání mechanických nástrojů k provádění pracovních činností může operátor pociťovat mírnou bolest v oblasti rukou, paží, ramen, krku nebo i v jiných částech těla.
- Při práci stůjte v pohodlné poloze a pevně na zemi a vyvarujte se jakýchkoliv nepříjemných či nejistých a nevyvážených poloh. Pravidelné změny polohy těla během delších pracovních činností mohou pomoci zabránit vzniku bolesti či nadměrné únavy.
- Nepodceňujte příznaky, jako je například trvalá nebo vracející se mírná či silnější bolest, pulzující bolest, brnění, necitlivost, palčivé pocity nebo ztuhlost. Přestaňte nástroj používat, informujte svého zaměstnavatele a poradte se s lékařem.

Rizika spojená s hlukem a vibracemi

- Vysoké úrovně hluku mohou způsobit trvalou ztrátu sluchu nebo jiné zdravotní problémy, jako je například hučení v uších. Používejte ochranu sluchu doporučenou vaším zaměstnavatelem nebo předepsanou podle předpisů týkajících se bezpečnosti a ochrany zdraví při práci.
- Působení vibrací může způsobit poškození nervů a narušit přívod krve do rukou a paží. Noste teplý oděv a udržte své ruce v teple a suchu. Pokud se projeví strnulost, brnění, bolest nebo zbledání kůže, přestaňte nástroj používat, informujte svého zaměstnavatele a poradte se s lékařem.
- Držte nástroj lehkým, ale současně pevným úchopem, protože riziko nepříznivého působení vibrací je s vyšší silou úchopu obecně vyšší. Kdekoli je to možné, použijte k držení váhy nástroje vyvažovací zařízení.
- Za účelem předcházení zbytečnému zvyšování úrovně hluku a vibrací:
 - Nástroj používejte a provádějte jeho údržbu, a vybírejte, vyměňujte a provádějte údržbu jeho příslušenství a spotřebního materiálu v souladu s pokyny uvedenými v tomto návodu k obsluze;
 - Používejte tlumicí materiály, abyste zabránili „kmitání“ obrobku.

Rizika na pracovišti

- Uklouznutí/zakopnutí/pád jsou hlavními příčinami vážných nebo smrtelných poranění. Dávejte pozor na nadměrné množství hadic ponechaných na podlaze nebo na pracovních plochách.
- Vyhněte se vdechování prachu či výparů i manipulaci s nečistotami z pracovního procesu, které mohou způsobovat zdravotní potíže (například rakovinu, poruchy při narození, astma anebo dermatitidu). Při práci s materiály, které způsobují uvolňování částic do vzduchu, používejte zařízení na odsávání prachu a noste ochranné dýchací pomůcky.

- Prach vznikající při motorovém vyhlazování, řezání, broušení, vrtání a jiných stavebních činnostech může obsahovat chemické látky, o kterých je ve státu Kalifornie známo, že způsobují rakovinu a poruchy při narození nebo jiná poškození reprodukčního ústrojí. Některé příklady takových chemických látek jsou následující:

- olovo z olovnatých barev;
- cihly z krystalického křemene, cement a další stavební materiály pro zdiva;
- arsen a chrom z chemicky upravené pryže.

Vaše riziko vyplývající z vystavení se působení těchto látek se liší podle toho, jak často provádíte takový typ práce. Abyste omezili své vystavení se působení těchto chemických látek: pracujte v dobře větraných prostorách a používejte schválené bezpečnostní ochranné pomůcky, jako jsou například masky proti prachu, které jsou speciálně zkonstruované k odfiltrování mikroskopických částic.

- V neznámém pracovním prostředí si počínejte opatrně. Mohou se zde vyskytovat skrytá rizika, jako jsou například elektrická nebo jiná vedení.
- Prach a výpary vznikající při vyhlazování nebo broušení mohou vytvořit potenciálně výbušné prostředí. Používejte systém pro odsávání nebo potlačování prachu, který je vhodný pro zpracovávaný materiál.
- Tento nástroj není určen k práci v potenciálně výbušných atmosférách a není izolován pro případ kontaktu se zdroji elektrického proudu.

Užitečné informace

Země původu

Taiwan

Webová stránka

Informace týkající se našich produktů, příslušenství, náhradních dílů a publikovaných dokumentů naleznete na webových stránkách společnosti Rodcraft.

Navštivte: www.rodcraft.com.

Bezpečnostní list

Bezpečnostní listy popisují chemické produkty, které prodává společnost Rodcraft.

Více informací získáte na webových stránkách společnosti Rodcraft na adrese qr.cp.com/sds.

Copyright

© 2023, Desoutter GmbH, Edmund-Seng-Str. 3-5, 63477 Maintal, Germany

Všechna práva vyhrazena. Veškeré neautorizované použití a kopírování obsahu nebo jeho částí je zakázáno. To platí zejména o obchodních známkách, označeních modelu, číslech součástek a výkresech. Používejte pouze schválené náhradní díly. Jakékoli škody nebo závady způsobené použitím neschválených dílů nejsou kryty Zárukou ani Odpovědností za produkt.

Nyilatkozatok

EU megfeleléségi nyilatkozat

Mi, az **Desoutter GmbH**, Edmund-Seng-Str. 3-5, 63477 Maintal, Germany, kizárólagos felelősségünk tudatában kijelentjük, hogy a termék (a típust és termékszámot lásd az első oldalon) megfelel a következő irányelv(ek)nek: **2006/42/EC (17/05/2006)**

Alkalmazott harmonizált szabványok:
EN ISO 11148-7 :2012

A hatóságok kérhetik a vonatkozó műszaki információkat:

Pascal Roussy, R&D Manager, Ets Georges Renault, 38 rue Bobby Sands, BP10273 44818 Saint Herblain, France

Saint-Herblain, 2023/01/09

Pascal ROUSSY



Aláírás

Nyilatkozat zaj- és rezgés kibocsátásról

- Hangnyomásszint: 90 dB(A), bizonytalanság: 3 dB(A), a EN ISO 15744 előírásnak megfelelően.
- Hangerőszint: 101 dB(A), bizonytalanság: 3 dB(A), a(z) EN ISO 15744 előírásainak megfelelően.
- Vibráció teljes értéke: 4.33 m/s², bizonytalanság: 1.1 m/s², a ISO-28927-4 előírásainak megfelelően.

Ezeket a meghatározott értékeket laboratóriumi vizsgálatnak vetettük alá a megfelelő szabványoknak megfelelően, és alkalmasak az egyéb szabványok szerint vizsgált egyéb szerzők meghatározott értékeinek összehasonlítására. A rezgés kibocsátási szint az expozíció előzetes értékeléséhez használható. Ezek a kijelentett értékek nem megfelelőek a kockázatértékelésekhez, és az egyes munkahelyeken mért értékek magasabbak lehetnek. A tényleges expozíciós értékek és az egyes felhasználók által elszenvedett károk kockázata egyedi, és függ a felhasználó munkájától, a munkadarabtól és a munkaállomás tervezésétől, valamint az expozíció időtartamától és a felhasználó fizikai állapotától.

A **Desoutter GmbH** nem vállal felelősséget a névleges értékek figyelembevételéért a valós kitettségi értékekkel szemben olyan egyedi munkahelyi szituációkra vonatkozóan, amelyeknek feltételeit nem áll módunkban befolyásolni.

Ez a szerszámgép – ha használatát nem megfelelően ütemezik – kéz-kar vibrációs (HAVS) szindrómát okozhat. A kéziszerszámok által okozott rezgésre vonatkozó EU-s útmutató a <http://www.pneurop.eu/index.php> oldalon a „Tools” (Eszközök), majd a „Legislation” (Törvények) pont választásával érhető el.

Javasoljuk, hogy rendszeresen végeztesse egészségi állapotfelmérést az olyan korai tünetek felismerésére, amelyek kapcsolatban állhatnak a rezgési terheléssel, hogy az eljárásokat módosítani lehessen a helyzet további romlásának megakadályozására.

- ① A berendezést rögzítési eljárásokhoz terveztük: A megadott zajkibocsátási szint a gépgyártó tájékoztatására szolgál. A teljes gépberendezés zaj- és rezgés kibocsátási adatait keresse a gép használati útmutatójában.

Információ a REACH-rendelet 33. cikke kapcsán

A vegyi anyagok regisztrálásáról, értékeléséről, engedélyezéséről és korlátozásáról szóló 1907/2006/EK rendelet (REACH) többek között az ellátási láncban történő információközlésre vonatkozó követelményeket ír elő. Az információközlési követelmény többek között a különösen veszélyes anyagokat tartalmazó termékekre irányul (a „Jelöltlista”). 2018. június 27-én az ólom (CAS-szám: 7439-92-1) is felkerült a jelöltlistára.

A fentiekkel összhangban ezúton tájékoztatjuk Önt, hogy a termékben bizonyos mechanikus részegységek ólmot tartalmazhatnak. Ez megfelel az anyagok korlátozására vonatkozó jelenlegi jogszabályoknak, és az RoHS irányelv (2011/65/EU) jogszervi kivételein alapul. Az ólom normál használat folyamán nem szivárog és nem képződik a termékből, és az ólom koncentrációja a teljes termékben jóval a vonatkozó határérték alatt van. Kérjük, hogy a termék élettartamának végén vegye figyelembe az ólom ártalmatlanítására vonatkozó helyi előírásokat.

Regionális követelmények

FIGYELEM

A termék különböző vegyi anyagoknak, például ólomnak való kitettséget okozhat, az ólmot pedig Kalifornia állam hatóságai a rákkeltő, születési rendellenességeket vagy más szaporodási ártalmakat okozó anyagok közé soroltak. További tudnivalóért lásd

<https://www.p65warnings.ca.gov/>

Biztonság

NE DOBJA EL – ADJA ÁT A FELHASZNÁLÓNAK!

FIGYELEM Olvassa el a szerszámgépre vonatkozó összes biztonsági előírást, útmutatót, illusztrációt és műszaki adatokat.

Az alábbiakban felsorolt utasítások be nem tartása áramütést, tüzet és/vagy súlyos sérülést okozhat.

Mentse el az összes figyelmeztetést és utasítást a későbbi hivatkozáshoz.

FIGYELEM Minden körülmények között tartsa be a felszerelésekre, üzemeltetésre és karbantartásra vonatkozó, a törvény szerint érvényben lévő helyi biztonsági szabályokat.

Használatra vonatkozó nyilatkozat

- Kizárólag professzionális felhasználásra.
- A terméket és tartozékait semmilyen módon nem szabad módosítani.
- Ne használja a terméket, ha sérült.
- Ha a termék adatai vagy az előírt sebességre vonatkozó vagy veszélyre figyelmeztető címkék a terméken nem olvashatók vagy leváltak, a lehető leghamarabb tegyen fel újakat.

- A termék üzembe helyezését, üzemeltetését és szervizelését kizárólag szakképzett személy végezheti ipari környezetben.

Rendeltetésszerű használat

A terméket csiszolóanyagossal megmunkálásra terveztük. Más jellegű használata nem megengedett.

Termékspecifikus utasítások

Működtetés

Levegőellátási követelmények

1. A szerszám számára tiszta, száraz levegőellátást kell biztosítani, 6,3 bar (90 psi) maximális nyomással. A nagyobb nyomás drasztikusan csökkenti a szerszám élettartamát.
2. Csatlakoztassa a szerszámot a légvezetékhez a 3. ábrán látható cső-, tömlő- és szerelvényméretekkel.

Telepítés / működtetés

1. Lazítsa meg a biztonsági csavart, helyezze be a vágókorongot a két perem közé, húzza meg a biztonsági csavart, és ellenőrizze, hogy a vágókorong megfelelően van-e rögzítve a szerszámhoz.
2. A 3. ábrán látható módon csatlakoztassa a szerszámot.
3. A szerszám elindításához húzza meg a biztonsági kart (2), és nyomja meg a szabályozókart (1). A gép sebessége a szabályozókar (1) erősebb megnyomásával növelhető. Lásd az 2. ábrát.
4. A szerszám leállításához engedje el a fojtókart (1).*I. ábrát.*

A fej elfordítása

Lásd az 4. ábrát.

1. Állítsa le a szerszámot.
2. Nyomja előre a záróhüvelyt (2).
3. Változtassa meg a szerszámfej pozícióját felfelé vagy lefelé (3), vagy vissza alapállásba. *Lásd az 1. ábrát.*
4. Engedje el a záróhüvelyt (4). A záróhüvely visszatér az eredeti helyére. *Lásd az 1. ábrát.*

FIGYELEM

- ▶ Ha a szerszámfej nincs lezárva, ne indítsa el a szerszámot.
- ▶ Az ujsérülések elkerülése érdekében a flexibilis fej működtetésekor tartsa távol az ujjait a mechanizmusoktól.
- ▶ A flexibilis fej beállításakor mindig tartsa meg a mechanizmus szélét. Ha nem figyel, a mechanizmus elkaphatja az ujjait.

A forgásirány megváltoztatása

Lásd az 5. ábrát.

1. Állítsa le a szerszámot.

- Fordítsa el a gombot (1) a kívánt irány szerint „F” (előre, „forward”) vagy „R” (vissza, „reverse”) állásba.
- Indítsa el újra a szerszámot.

A munka befejezése után

⚠ FIGYELEM A leállási idő 5 másodpercnél tovább tarthat.

- Mielőtt letenné a szerszámot, győződjön meg arról, hogy kikapcsolta, és teljesen leállt.
- A leálláshoz szükséges idő a használt csiszolótól függ.

Óvatosan tegye le a szerszámot, úgy, hogy az ne indulhasson be magától.

Szervizelés és karbantartás

Kenés

Használjon légvezetékkenőt SAE #10 olajjal, percnkénti két (2) cseppek beállítással.

Karbantartási útmutató

- A biztonságos kezelés és ártalmatlanítás érdekében valamennyi részegység esetében tartsa be az adott ország környezetvédelmi rendelkezéseit.**
- A karbantartási és javítási munkálatokat kizárólag szakképzett személyek végezhetik eredeti cseralkatrésszel. Műszaki segítségért vagy cserealkatrész-igény esetén forduljon a gyártóhoz vagy a legközelebbi forgalmazóhoz.
- A véletlen bekapcsolás elkerülése érdekében mindig győződjön meg arról, hogy a gép le van választva az áramforrásról.
- Napi használat esetén 3 havonta szerelje szét és ellenőrizze a szerszámot. Cserélje ki a sérült vagy kopott alkatrészeket.
- Az állásidő minimalizálása érdekében a következő szervizkészlet használata ajánlott: **Teljesítménynövelő készlet**

Hulladékkénti elhelyezés

- A készülék hulladékba helyezését az adott ország törvényeinek megfelelően kell végezni.
- Minden sérült, elhasználdott vagy nem megfelelően működő eszközt **KI KELL VONNI A HASZNÁLATBÓL.**

Általános biztonsági utasítások

ⓘ További biztonsági információk a pneumatikus hordozható kéziszerszámokról:

- CAGI 2528 – B186.1, PNEUMATIKUS HORDOZHATÓ KÉZISZERSZÁMOK BIZTONSÁGI ELŐÍRÁSAI, elérhető a „Global Engineering Documents” honlapról (<https://global.ihs.com/>), vagy hívja az +1 800 447-2273-as telefonszámot. Ha problémát okozna az ANSI-szabványok beszerzése, lépjen kapcsolatba az ANSI-val a <https://www.ansi.org/> honlapon.

Levegőellátó rendszerrel és csatlakozásokkal kapcsolatos veszélyek

- A nyomás alatt lévő levegő súlyos sérüléseket okozhat.
- Ha a szerszám nincs használatban, bármilyen termékbeállítási művelet, például tartozékok cseréje vagy javítások előtt zárja el a levegőadagolást, ürítse ki a tömlőt és válassza le az eszközt a levegővezetékéről.
- Soha ne irányítsa a levegőt önmaga vagy más személyek felé
- A nyomás alatt lévő lengő tömlők komoly sérüléseket okozhatnak. Mindig ellenőrizze, hogy a tömlők és csatlakozások ne legyenek hibásak vagy meglazulva.
- Ne használjon gyorscsatlakozási szerkezeteket a szerszámmal. Vegye figyelembe a helyes összeállításra vonatkozó utasításokat.
- Amennyiben általános szorítófogókat használ, rögzítőszegeket kell felszerelni.
- Ne lépje túl a 6,3 bar / 90 psi értékű – vagy az adattáblán feltüntetett – maximális levegőnyomást.

A védőpajzs használata

- Mindig az ajánlott tárcsavédőt használja a tárcsáról letörő darabok okozta sérülések elkerülése érdekében.
- Ha a borítás használata közben már történt tárcsatörés, ne használja tovább a borítást. Előfordulhat, hogy már megsérült.
- A védőborítást úgy kell elhelyezni, hogy a csiszolókorong és a kezelő között legyen.
- Korlátok alkalmazásával tartsa távol az illetékteleneket a forgó tárcsától és szikráktól.

Beakadási veszélyek

- Ne közelítsen a forgó meghajtó tengelyhez és köszörűkoronghoz. A kikapcsolás után a forgás még néhány másodpercig folytatódik. Ne fektesse le a szerszámot, amíg a forgás teljesen meg nem szűnik.
- Laza ruházat, kesztyűk, ékszerek, nyaklánc vagy hajdísz viselése esetén fulladásveszély állhat be, vagy a szerszám becsípheti a haját és a bőrt.

Repülő részek miatti veszély

- A tartozék, a csiszoló vagy a munkadarab meghibásodása esetén bizonyos elemek nagy sebességgel kirepülhetnek. A szikrák és még a kisebb repülő anyagok is szemsérülést vagy vakságot okozhatnak.
- Mindig viseljen ütésálló szem- és arcvédőt a szerszám használata, javítása, karbantartása, illetve tartozékcseréje közben.
- Ügyeljen arra, hogy a közelben tartózkodó személyek is ütésálló szem- és arcvédőt viseljenek.
- Az elrepedő csiszolótárcsa súlyos sérülést vagy halált okozhat.
- Fordulatszám mérővel naponta ellenőrizze, hogy a pneumatikus csiszoló sebessége ne legyen nagyobb a csiszolókorongon feltüntetett fordulatszámnál.
- Soha ne használjon olyan csiszolókorongot, amelynek a névleges sebessége kisebb a pneumatikus csiszolóénál.

- A mellékelt szerszámok segítségével gondoskodjon róla, hogy a csiszolókorong stabilan legyen a csiszolóra rögzítve. A pereméről el kell távolítani a forgácsot, repedésmentesnek kell lenniük és sima tapadófelülettel kell rendelkezniük. Az orsóknak és orsófejeknek sérülésmentesnek kell lenniük.
- Rögzítse biztonságosan a munkadarabot.

A tartozékokkal kapcsolatos veszélyek

- Tartozékcseré alkalmával mindig zárja el a levegőellátást, engedje ki a nyomást a tömlőből, és válassza le a szerszámot a levegőellátásról.
- Csak ajánlott méretű és típusú csiszolókorongokat használjon.
- Ne használjon csorba vagy repedt, illetve korábban már leejtett korongot.
- A felszerelt csiszolókorong töréséből fakadó sérülések megelőzéséhez a korongot megfelelően kell felszerelni.
- Ügyeljen az angolszász és a metrikus mértékegységek közötti különbségre.
- A csiszolókorongoknak könnyedén kell illeszkedniük a tengelyre, hogy a nyílásban ne keletkezzen feszültség. Ne alkalmazzon szűkítőperselyt a korong nagyobb nyílásának csökkentésére.
- A peremek felszereléséhez csak a csiszolókoronghoz mellékelt gyűrűt használjon. A lapos alátétek vagy egyéb betétek feszültséget kelthetnek a korongban. Helyezzen mindig vastag papírból készült korongokat a perem és a csiszolókorong közé.
- Ha különböző méretű és típusú csiszolólaphoz illő peremekkel rendelkezik, mindig a használt csiszolólapnak megfelelő peremet szerelje fel.
- Csészék, kúpok vagy menetes furattal rendelkező dugaszok rögzítésekor az orsó vége nem érhet a furat aljához, mivel az károsíthatja a csiszolólapot.
- Szorítsa rá a korongot a tengelyre úgy, hogy ne perdüljön le arról a sűrített levegő kikapcsolásakor.
- A csiszolás megkezdése előtt a szerszám teljes sebességgel történő forgatásával tesztelje a csiszolókorongot. A véletlenül leszakadó korongdarabok megállítására használjon korlátot (például egy nehéz munkasztal alatt). Azonnal állítsa le a berendezést, ha vibrációt észlel.

Veszélyek működés közben

- A kezelőnek és a karbantartónak képesnek kell lennie a szerszám kezelésére, figyelembe véve annak méreteit, súlyát és teljesítményét.
- Tartsa a szerszámot megfelelően: készüljön fel a normál és hirtelen mozdulatok kezelésére.
- Ha hozzáér a fűrészfűrőhöz, szilánkokhoz vagy a munkafelülethez, megégetheti vagy megvághatja magát. Kerülje az érintkezést és viseljen védőfelszerelést, például kesztyűt, kötényt és sisakot.
- Munka közben ügyeljen, hogy a korong ne akadjon el. A vágási vonal mindkét oldalán támassza alá a munkadarabot a korong elakadásának megakadályozására. Ha mégis elakadna, engedje fel a szabályozókart,

és szabadítsa ki a korongot. A munka folytatása ellenőrizze, hogy nem sérült-e meg a korong, és hogy megfelelően van-e rögzítve.

- Oldalsziszoláshoz ne használjon vágókorongokat.
- A csiszoláskor keletkező szikrák felgyújthatják a ruháit, és súlyos égési sérüléseket okozhatnak. Vigyázzon, hogy a szikrák ne kerülhessenek a ruhára. Viseljen tűznek ellenálló ruhát és tartson a közelben egy vödör vizet.
- Amennyiben műanyagokon vagy más, elektromosságot nem vezető anyagokon használja a gépet, elektrosztatikus kisülések veszélye állhat fenn.
- A forgás irányának megváltoztatásakor a szikrák az ellenkező irányba távoznak.
- A forgás irányának megváltoztatása ellentétes irányú reakcióerőt okoz a kezelő számára.

Ismétlődő mozgással kapcsolatos veszélyek

- Amikor az elektromos szerszámgéppel végez munkát, a gépkezelő kényelmetlenséget érezhet karjában, kezén, vállain, nyakán, vagy teste egyéb részein.
- Munka közben lehetőleg kényelmes pozíciót vegyen fel, biztos lábtartással, elkerülve a kényelmetlen vagy nem egyensúlyban lévő testhelyzetet. A hosszabb munkák közben változtasson testtartásán, hogy elkerülje a kényelmetlenséget és a fáradást.
- Ne hagyja figyelmen kívül a különböző tüneteket, például a visszatérő kényelmetlenség érzetét, fájdalmat, lüktető fájdalmat, sajgó fájdalmat, zsibbadást. Ilyen tünetek esetén állítsa le a gépet, jelentse munkáltatójának és forduljon orvoshoz.

Zajjal és vibrációval kapcsolatos veszélyek

- A nagy zajszint tartós halláskárosodást és egyéb problémákat – például fülzúgást – okozhat. Használjon zajvédelmi eszközöket a munkáltató előírásai, illetve a munkaegészségügyi vagy munkabiztonsági előírások szerint.
- A vibrációnak való kitettség a kezek és a karok vérellátását, valamint az idegszálfunkciókat akadályozhatja. Viseljen meleg ruházatot és kezeit tartsa melegen és szárazon. Ha zsibbadás, viszketés, fájdalom vagy a bőr elfehéredése lép fel, hagyja abba a szerszám használatát, és forduljon orvoshoz!
- A szerszámot ne szorítsa, de biztosan tartsa, mivel a vibrációs kockázat általában nagyobb, ha a szerszámot szorítja. Ha lehetséges, tartsa meg a szerszám tömegét egy emelővel.
- A zaj és vibráció szükségtelen növekedésének megelőzése érdekében:
 - A szerszámot és annak tartozékait, fogyóeszközöket a használati útmutatónak megfelelően üzemeltesse, tartsa karban, válassza ki és cserélje;
 - Hangtompító anyagokkal megelőzhető a munkadarab „csengése”.

Munkavégzési óvintézkedések

- A megcsúszás, megbotlás és elesés a súlyos sérülés vagy halál fő oka. Ügyeljen a közlekedő és munkaterületeken levő felesleges tömlőszakaszokra!

- Ne lélegezze be a port és ne érintse meg a munkafolyamatból származó olyan törmeléket, amely káros lehet egészségére (pl. rákot okozhat, szülési rendellenességekhez vezethet vagy asztmát és/vagy dermatitist okozhat). Ha olyan anyagokkal dolgozik, amelyek légi úton terjedő részecskéket eredményeznek, használjon porelszívást és viseljen légzőkészüléket.
- A szerszámgéppel végzett csiszolás, vágás, simítás, fúrás vagy más építkezési tevékenységek során keletkező por olyan kémiai anyagokat tartalmaz, melyeket a Kalifornia állam hatóságai a rákkeltő, születési rendellenességeket vagy más szaporodási ártalmakat okozó anyagok közé soroltak. Ilyen kémiai anyagokra például a következők:

- Ólom az ólomtartalmú festékekből
- Kristályos szilíciumdioxid téglából, cementből és más építőanyagokból
- A gumi kémiai kezeléséből származó arzén és króm

Az ilyen kockázatoknak való kitettség attól függően változik, hogy milyen gyakran végez ilyen típusú munkát. A vegyi anyagoknak való kitettség kockázatának csökkentése érdekében: dolgozzon jól szellőztetett környezetben és használjon jóváhagyott biztonsági védőkészülékeket, mint például kifejezetten a mikroszkopikus részecskék szűrésére kidolgozott porvédő maszkok.

- Ismeretlen környezetben óvatosan mozogjon. Rejtett veszélyforrások lehetnek, például villamos vagy egyéb vezetékek.
- A csiszolásból vagy köszörlésből eredő porok és gázok, füstök potenciálisan robbanásveszélyes keveréket alkothatnak. Használjon a feldolgozott anyagnak megfelelő porelszívó vagy elnyomó rendszert!
- Nem ajánlott az eszköz használata potenciálisan robbanásveszélyes környezetben, és nem nyújt védelmet elektromos vezetékek érintéséből fakadó áramütéssel szemben.

Hasznos információk

Származási ország

Taiwan

Weboldal

A termékekre, a tartozékokra és a cserealkatrészekre, valamint a kiadványainkra vonatkozó információk a(z) Rodcraft weboldalán található.

Látogasson el a következő címre: www.rodcraft.com.

Biztonsági adatlap

A Rodcraft által értékesített kémiai termékeket a biztonsági adatlapok írják le.

További információkért, kérjük, tekintse meg a Rodcraft honlapját: qr.cp.com/sds.

Copyright

© Szerzői jog 2023, Desoutter GmbH, Edmund-Seng-Str. 3-5, 63477 Maintal, Germany

Minden jog fenntartva. A tartalom vagy annak bármely részének jogosulatlan használata vagy másolása tilos. Ez különösképpen vonatkozik a védjegyekre, a modellek megnevezéseire, az alkatrészsorszámokra és a rajzokra. Kizárólag engedélyezett alkatrészeket használjon. A nem engedélyezett alkatrészek használatából eredő bármilyen meghibásodásra vagy károsodásra a Jótállás és Termékfelelősség feltételei nem vonatkoznak.

Izjave

Izjava EU o skladnosti

V družbi **Desoutter GmbH**, Edmund-Seng-Str. 3-5, 63477 Maintal, Germany, na izključno lastno odgovornost izjavljamo, da je izdelek (z imenom, tipom in serijsko številko z naslovnice) skladen z naslednjimi direktivami:



2006/42/EC (17/05/2006)

Uporabljeni usklajeni standardi:

EN ISO 11148-7 :2012

Pristojni organ lahko zaprosi za pridobitev potrebnih tehničnih podatkov pri:

Pascal Roussy, R&D Manager, Ets Georges Renault, 38 rue Bobby Sands, BP10273 44818 Saint Herblain, France

Saint-Herblain, 2023/01/09

Pascal ROUSSY

Podpis

Deklaracija o hrupu in vibracijah

- Raven zvočnega tlaka 90 dB(A), negotovost 3 dB(A), v skladu s standardom EN ISO 15744.
- Raven jakosti zvoka 101 dB(A), negotovost 3 dB(A), v skladu s standardom EN ISO 15744.
- Skupna vrednost vibracij 4.33 m/s², uncertainty 1.1 m/s², v skladu s standardom ISO-28927-4.

Deklarirane vrednosti so bile pridobljene med preskusom v laboratoriju v skladu z omenjenimi standardi in so primerne za primerjavo z vrednostmi drugih orodij, ki so bila testirana v skladu z istimi standardi. Raven emisij pri vibracijah se lahko uporabi za predhodno oceno izpostavljenosti. Deklarirane vrednosti niso primerne za uporabo pri ocenjevanju tveganja. Izmerjene vrednosti v posameznih delovnih okoljih se lahko razlikujejo. Dejanske ravni izpostavljenosti in tveganja za posameznega uporabnika so edinstvene in odvisne od načina dela uporabnika, od obdelovanca in delovne površine ter od časa izpostavljenosti in fizičnega stanja uporabnika.

Družba **Desoutter GmbH** ne more odgovarjati za posledice uporabe navedenih vrednosti namesto vrednosti, ki odražajo dejansko izpostavljenost pri individualni oceni tveganja na delovnem mestu oz. stanju na delovnem mestu, nad katerimi ta družba nima nobenega nadzora.

Neustrezen način uporabe orodja lahko vodi v prenos vibracij na sistem dlan-roka (sindrom vibracij v dlaneh in rokah). EU navodila za zmanjšanje prenosa vibracij na sistem dlan-roka lahko najdete na <http://www.pneurop.eu/index.php>, kjer izberete »Tools« (orodja) in nato »Legislation« (zakonodaja).

Priporočamo program zdravstvenega nadzora za zgodnje odkrivanje simptomov, povezanih z izpostavljenostjo vibracijam, da se lahko z ustreznimi organizacijskimi ukrepi preprečijo nadaljnje poškodbe.

- i** Če je oprema namenjena za pritrditev na stroj: Emisija hrupa je podana kot vodilo proizvajalcu stroja. Podatki o emisiji hrupa in vibracij za celoten stroj morajo biti navedeni v priročniku z navodili za uporabo stroja.

Informacije o 33. členu v sistemu REACH

Evropska uredba (EU) št. 1907/2006 o registraciji, evalvaciji, avtorizaciji in omejevanju kemikalij (REACH) med drugim določa zahteve glede obveščanja znotraj dobavne verige. Zahteve po obveščanju veljajo tudi za izdelke, ki vsebujejo t.i. snovi, ki zbuja veliko skrb («seznam kandidatov»). 27. 06. 2018 je bil na seznam kandidatov dodan svinec (Št. CAS 7439921).

Skladno z zgoraj navedenim vas obveščamo, da lahko določene mehanske komponente izdelka vsebujejo svinec. To je v skladu s trenutno zakonodajo o omejevanju snovi in na osnovi zakonitih izjem v direktivi RoHS (2011/65/EU). Svinec med običajno uporabo ne bo iztekal ali mutiral iz izdelka, koncentracija svincev v celotnem izdelku pa je bistveno nižja od veljavne mejne vrednosti. Prosimo, pri odstranjevanju svinca ob koncu življenjske dobe izdelka upoštevajte lokalne zahteve.

lokalne zahteve

⚠ OPOZORILO

Ta izdelek vas lahko izpostavi kanikalijam, vključno s svincem, ki po vedenju države Kalifornije povzroča raka in okvare ob rojstvu oz. druge reproduktivne težave. Za več informacij obiščite

<https://www.p65warnings.ca.gov/>

Varnost

NE ZAVRZITE – POSREDUJTE UPORABNIKU

⚠ OPOZORILO Preberite vsa varnostna opozorila, navodila, ilustracije in specifikacije, ki jih prejmete z električnim orodjem.

Če navodil, ki so navedena spodaj, ne upoštevate, lahko pride do električnega udara, požara in/ali hudih poškodb.

Vsa opozorila in navodila shranite za prihodnjo uporabo.

⚠ OPOZORILO Vedno je treba upoštevati vsa varnostna pravila za namestitev, uporabo in vzdrževanje, ki so skladna z lokalno zakonodajo.

Izjava o uporabi

- Samo za profesionalno uporabo.
- Tega izdelka in njegovih dodatkov ni dovoljeno spreminjati na noben način.
- Če je izdelek poškodovan, ga ne uporabljajte.

- Če postanejo oznake s podatki o izdelku ali opozorila na nevarnosti, ki so na izdelku, neberljivi ali odpadejo, jih morate takoj zamenjati.
- Izdelek lahko nameščajo, upravljajo in servisirajo samo osebe, usposobljene za tako delo v industrijskem okolju.

Namen uporabe

Ta izdelek je namenjen za odstranjevanje materialov z brusili. Druge uporabe niso dovoljene.

Navodila, specifična za izdelek

Delovanje

Zahteva za dovod zraka

1. Do orodja dovajajte čist in suh zrak pod maks. pritiskom 90 psi (6,3 bara). Višji pritisk bistveno skrajša življenjsko dobo orodja.
2. Orodje povežite z linijo za zrak s pipo, cevjo in nastavki, kot je prikazano na *shemi 3*.

Namestitev / Delovanje

1. Razrahljajte varnostni vijak, namestite rezalni disk med dve prirobnici, privijte varnostni vijak in prepričajte se, da je rezalni disk pravilno nameščen na orodje.
2. Orodje priključite kot je prikazano na *shemi 3*.
3. Za zagon orodja povlecite varnostno ročico (2) in potisnite ročico za plin (1). Hitrost stroja povečate tako, da povečate pritisk na ročico za plin (1). *Glejte shemo 2*.
4. Spustite ročico za plin (1), da se orodje ustavi. *Glejte shemo 1*.

Spreminjanje položaja glave

Glejte Shemo 4

1. Ustavite orodje.
2. Zaklepno čeljust (2) potisnite naprej.
3. Spremenite položaj glave orodja navzgor ali navzdol (3) oz. nazaj v običajni položaj. *Glejte Shemo 1*.
4. Izpustite zaklepno čeljust (4). Zaklepna čeljust se vrne v prvotni položaj. *Glejte Shemo 1*

⚠ OPOZORILO

- ▶ Orodja ne zaženite, če glava orodja ni zaklenjena.
- ▶ Pri delu z glavo rezalnika prstov ne približujte mehanizmu, saj se lahko v nasprotnem primeru poškodujete.
- ▶ Prepričajte se, da med vsakim prilagajanjem rezalne glave držite za rob mehanizma. Če uporabnik ni previden, se mu lahko prsti ujamejo v mehanizem.

Spreminjanje smeri vrtenja

Glejte Shemo 5

1. Ustavite orodje.
2. Gumb (1) zasukajte v »F« oz. »R«, za vrtenje naprej (F) oz. vzvratno (R).
3. Ponovno zaženite orodje.

Po končanem delu**⚠ OPOZORILO Čas ustavljanja je lahko daljši od 5 sekund.**

- ▶ Preden orodje odložite, morate poskrbeti, da bo izklopljeno in popolnoma zaustavljeno.
- ▶ Čas ustavljanja je odvisen od uporabljenega brusila.

Orodje odložite pazljivo, da se ne zažene samo od sebe.

Servisiranje in vzdrževanje**Mazanje**

Za napeljavo za zrak uporabljajte mazalno enoto z oljem SAE #10, nastavljeno na dve (2) kapljici na minuto.

Navodila za vzdrževanje

- Upoštevajte lokalne okoljske predpise glede varnega rokovanja z orodjem in odlaganja vseh sestavnih delov ob koncu življenjske dobe.
- Vzdrževanje in popravila lahko izvaja izključno usposobljeno osebje ter z uporabo originalnih nadomestnih delov. Če potrebujete tehnično pomoč ali nadomestne dele, se obrnite na proizvajalca ali najbližjega pooblaščenega prodajalca.
- Vedno poskrbite, da bo stroj odklopljen z vira energije, da se izognete nenamernemu sproženju delovanja.
- Če orodje uporabljate vsak dan, ga morate razstaviti in pregledati vsake 3 mesece. Zamenjajte poškodovane ali obrabljene dele.
- Da bi bil čas nedelovanja čim krajši, se priporoča uporaba naslednjega servisnega kompleta: **Komplet za uravnavanje (Tune-up kit)**

Odstranjevanje

- Pri odlaganju opreme ob koncu življenjske dobe morate upoštevati zakonodajo svoje države.
- Vse poškodovane, močno obrabljene ali nepravilno delujoče naprave **JE TREBA PRENEHATI UPORABLJATI**.

Splošna varnostna navodila**ⓘ Dodatne varnostne informacije o prenosnih pnevmatskih orodjih:**

- CAGI 2528 - B186.1, VARNOSTNA KODA ZA PRENOSNA PNEVMATSKA ORODJA, na voljo v dokumentaciji Global Engineering na <https://global.ihs.com/> ali po telefonu +1 800 447-2273. V primeru težav pri pridobivanju standardov ANSI se obrnite na ANSI preko spletne strani <https://www.ansi.org/>.

Nevarnosti pri oskrbi z zrakom in njegovi priključitvi

- Zraka nikoli ne usmerjajte proti sebi ali drugi osebi.
- Ko zaključite z delom, preden zamenjate priključke ali pred popravilom vedno zaprite dovod zraka, sprostite pritisk v zračni cevi in orodje odklopite od dovoda zraka.
- Zraka nikoli ne usmerjajte proti sebi ali drugi osebi.

- Opletajoče cevi lahko povzročijo hude poškodbe. Vedno pregledajte, ali so oprema in cevi poškodovane oziroma slabo pritrjene.
- Na orodju ne uporabljajte hitrih spoj. Za pravilno ureditev si poglejte navodila.
- Če uporabljate univerzalne vzmetne spojke, morate namestiti varnostne zatiče.
- Ne presežite največjega zračnega pritiska 6,3 bara/90 psig ali kot je navedeno na označevalni tablici orodja.

Uporaba varovala koluta

- Za zmanjšanje nevarnosti poškodbe, do katere lahko pride zaradi zlomljene plošče brusilnika, priporočamo uporabo varovala plošče.
- Če je varovalo preneslo zlom plošče, ga ne uporabljajte več. Lahko je namreč poškodovano.
- Varovalo namestite med brusilno ploščo in upravljavca.
- Za zaščito drugih oseb pred letečimi delci in brusilnimi iskrami uporabite pregrado.

Tveganja zaradi zapletanja

- Ne približujte se vrtečemu se pogonskemu vretenu in brusilu. Vrtenje se lahko nadaljuje še nekaj sekund potem ko ste sprostili sprožilec. Orodja ne odložite, dokler vrtenje ni popolnoma končano.
- Če ohlapna oblačila, rokavice, nakit, ogrlice in lase približate orodju in pripomočkom, lahko pride do dušenja, iztrganja las in / ali ran.

Tveganja izvrženih kosov

- Pri odpovedi nastavka, brusiva ali obdelovanca lahko nastanejo projektili visoke hitrosti. Iskre zaradi trenja in celo majhni izvrženi predmeti lahko poškodujejo oči in povzročijo slepoto.
- Med uporabo orodja, popravili ali vzdrževanjem ter med menjavo nastavkov vedno nosite na udarce odporno zaščito za oči in obraz.
- Prepričajte se, da imajo vse osebe v bližini ravno tako nameščeno zaščitno opremo za oči in obraz.
- Brusilna plošča, ki počí, lahko privede do zelo resnih poškodb ali celo smrti.
- S tahometrom dnevno izmerite hitrost orodja v zraku in poskrbite, da ne bo preseгла hitrosti RPM, ki je označena na brusilni plošči.
- Nikoli ne uporabljajte brusne plošče, označene z nižjo hitrostjo od hitrosti zračnega brusilnika.
- S pomočjo priloženega orodja se prepričajte, da je brusivo varno pritrjeno na brusilnik. Prirobnice ne smejo biti navrtane in razpokane in imeti morajo ploske površine za vpenjanje. Vretena in navoji vreten ne smejo biti poškodovani ali obrabljani.
- Poskrbite, da bo obdelovanec dobro pritrjen.

Tveganja pri namestitvi

- Pred zamenjavo priključkov vedno izklopite dovod zraka, sprostite pritisk v zračni cevi in orodje odklopite od dovoda zraka.
- Uporabljajte samo priporočene velikosti in tipe brusiv.

- Ne uporabljajte razpokanega ali poškodovanega brusnega papirja.
- Za preprečevanje poškodb zaradi zlomljenih brusilnih plošč, je potrebno brusilno ploščo pravilno namestiti.
- Izogibajte se neujemanju med UNC in metričnimi navoji.
- Brusilna plošča se mora na vretenu vrteti tekoče, da pri odprtini ne proizvaja odvečne napetosti. Za vstavitev koluta v večje odprtine ne uporabljajte zmanjševalnega mašila.
- Uporabljajte le prirobnice, ki so priložene brusilniku za namestitvev brusilnega koluta. Ravno tesnilo ali katerikoli drug adapter lahko preobremeni kolut. Med prirobnice in brusilni kolut vedno namestite blokirne diske iz težkega papirja.
- Če se dostavi več prirobnic za različne velikosti in vrste brusiv, vedno namestite prave prirobnice za brusivo v uporabi.
- Če nameščate čaše, konuse ali čepke z navojnimi odprtini, se konec vretena ne sme dotikati dna odprtine, ker obremeni brusivo.
- Kolut pričvrstite na vreteno in s tem preprečite, da se medtem, ko je orodje ugasnjeno, sname z vretena.
- Brusilno ploščo pred brušenjem preverite, tako da orodje zažene pri polnem plinu. Ne pozabite uporabiti pregrade (kot je npr. težka delovna miza), s katero lahko zaustavite zlomljene dele koluta. Če je vibriranje premočno, takoj prenehajte.

Tveganja pri delu

- Upravljavci morajo biti fizično sposobni upravljati tovor, težo in moč orodja.
- Orodje držite v pravilnem položaju: bodite pripravljeni odzvati se na običajne ali nenadne premike - obe roki naj bosta prosti.
- Ob stiku z nastavkom, brusilnimi iskrami ali delovno površino se lahko urežete ali opečete. Izogibajte se takemu stiku in nosite zaščitno opremo kot so rokavice, predpasnik in čelada.
- Med rezanjem se izogibajte zatikanju. Obdelovanec podpirajte z obeh strani reza, saj tako preprečite, da se rezalna plošča zatakne. Če pride do zatikanja, sprostite plin in ploščo izvlecite. Pred nadaljevanjem preverite, da je plošča nepoškodovana in ustrezno pritrjena.
- Za brušenje po straneh ne uporabljajte rezalne plošče.
- Iskre zaradi brušenja lahko vžgejo oblačila in povzročijo hude opekline. Poskrbite, da iskre ne pridejo v stik z oblačili. Nosite oblačila, ki zavirajo ogenj in imejte v bližini vedro z vodo.
- Če orodje uporabljate za obdelavo plastičnih ali drugih neprevodnih materialov, obstaja nevarnost elektrostatičnega praznjenja.
- Orodje povzroča iskre, ki ob spremembi vrtenja letijo v nasprotni smeri.
- To med menjavo smeri vrtenja povzroči nasprotno reakcijsko silo na operaterja.

Nevarnosti zaradi ponavljajočega se premikanja

- Pri uporabi električnega orodja za izvajanje aktivnosti, povezanih z delom, lahko uporabnik začuti neudobje v rokah, zgornjih udih, ramenih, vratu ali drugih delih telesa.
- Uporabljajte udobno držo in ohranjajte varno oporo ter se izogibajte neudobnim ali neuravnoteženim držam. S spreminjanjem drže med daljšimi opravili lahko preprečite neugodje in utrujenost.
- Ne prezrite simptomov, kot so vztrajno ali ponovljivo neudobje, bolečina, drhtenje, ščemenje, zvenenje, otopelost, občutek žganja ali otrdelost. Prenehajte uporabljati orodje, obvestite delodajalca in se posvetujte z zdravnikom.

Nevarnosti hrupa in vibracij

- Visoke ravni zvoka lahko povzročijo trajno izgubo sluha in druge težave, kot so zvonjenje v ušesih. Uporabljajte zaščito za ušesa, kot jo priporoča delodajalec ali predpisi o poklicnem zdravju in varnosti.
- Izpostavljenost vibracijam lahko poškoduje na živce in prepreči pretok krvi v roke ter zgornje ude. Nosite topla oblačila in roke ohranjajte tople ter suhe. V primeru da pride do otrplosti, ščemenja, bolečin ali beljenja kože, prenehajte uporabljati to orodje, obvestite delodajalca in se posvetujte z zdravnikom.
- Orodje držite lahkotno vendar trdno, ker je tveganje zaradi vibracij na splošno večje, če orodje držite močneje. Kadar koli je to možno, podprite težo orodja z balanserjem.
- Za preprečitev nepotrebnega povečanja ravni hrupa in vibracij:
 - orodje upravljajte in vzdržujte, dodatke in potrošni material pa izberite, vzdržujte in menjajte skladno s tem priročnikom z navodili;
 - Za preprečevanje »zvonjenja« obdelovancev uporabite blažilne materiale.

Nevarnosti na delovnem mestu

- Glavni vzroki za resne poškodbe ali smrt so zdrsi, spotiki in padci. Pazite na cevi, puščene na hodniku ali na delovni površini.
- Izogibajte se vdihavanju prahu ali hlapov ostankov iz delovnega procesa, ki lahko povzročijo poslabšanje zdravja (na primer, raka, dedne okvare, astmo in/ali dermatitis). Kadar delate z materiali, ki ustvarjajo leteče delce, uporabite sistem za odsesavanje prahu in nosite zaščito za dihalo.
- Mogoče je, da bo prah, ki nastane pri peskanju, žaganju, brušenju, vrtnanju ali drugih gradbenih dejavnostih, vseboval kemikalije, za katere je v zvezni državi Kaliforniji znano, da povzročajo raka, napake pri rojstvu ali druge razmnoževalne poškodbe. Nekateri primeri teh kemikalij so:
 - svinec iz barv na svinčeni osnovi
 - kristalinične kremenove opeke in cement ter drugi zidarski proizvodi
 - arzen in krom s kemijsko obdelane gume

Vaše tveganje pri teh izpostavljanjih je odvisno od tega, kako pogosto opravljate to vrsto dela. Da boste zmanjšali izpostavljenost tem kemikalijam: delajte v dobro prezračenem prostoru ter uporabljajte odobreno zaščitno opremo, kot so maske za prah, ki so izrecno namenjena za filtriranje mikroskopskih delcev.

- V neznanih okoliščinah bodite izjemno previdni. Možno je, da obstajajo skrite nevarnosti, na primer električni ali drugi servisni vodi.
- Potencialno eksplozivno okolje lahko nastane zaradi prahu in hlapov, nastalih pri peskanju ali brušenju. Uporabite sistem za odsesavanje prahu ali sistem za potlačitev, primeren za obdelovani material.
- To orodje ni namenjeni uporabi v prostorih, kjer obstaja možnost eksplozije in ni izolirano proti električnemu toku.

Koristne informacije

Država izvora

Taiwan

Spletno mesto

Informacije o naših izdelkih, dodatni opremi, nadomestnih delih in objavljenih publikacijah lahko najdete na spletni strani Rodcraft.

Prosimo, obiščite: www.rodcraft.com.

Varnostni list

Varnostni listi opisujejo kemične izdelke, ki jih prodaja družba Rodcraft.

Prosimo, za več informacij pogledjte na spletno stran družbe Rodcraft - qr.cp.com/sds.

Avtorske pravice

© Avtorske pravice 2023, Desoutter GmbH, Edmund-Seng-Str. 3-5, 63477 Maintal, Germany

Vse pravice pridržane. Vsaka nepooblaščen uporaba ali razmnoževanje vsebine ali delov vsebine je prepovedano. To še posebej velja za blagovne znamke, označbe modelov, številke delov in slike. Uporabite samo pooblaščen dele. Garancija ali jamstvo za izdelek ne krije nobenih poškodb ali nepravilnega delovanja, ki ga povzroči uporaba nepooblaščenih delov.

Declaratii

Declaratie de conformitate UE

Noi, **Desoutter GmbH**, Edmund-Seng-Str. 3-5, 63477 Maintal, Germany, declarăm pe propria răspundere că produsul (cu denumirea, tipul și numărul de serie - vezi prima pagină) este conform cu următoarea Directivă / următoarele Directive:

2006/42/EC (17/05/2006)



Standarde armonizate aplicate:

EN ISO 11148-7 :2012

Autoritățile pot solicita informații tehnice core-spunzătoare de la:

Pascal Roussy, R&D Manager, Ets Georges Renault, 38 rue Bobby Sands, BP10273 44818

Saint Herblain, France

Saint-Herblain, 2023/01/09

Pascal ROUSSY

Semnătură

Declaratie cu privire la nivelul de zgomot și de vibrații

- Nivelul presiunii sunetului 90 dB(A), incertitudine 3 dB(A), conform cu EN ISO 15744.
- Nivelul puterii sunetului 101 dB(A), incertitudine 3 dB(A), conform cu EN ISO 15744.
- Valoarea totală a vibrațiilor 4.33 m/s², incertitudine 1.1 m/s², conform cu ISO-28927-4.

Aceste valori declarate au fost obținute prin teste de laborator, în conformitate cu standardele menționate și pot fi comparate cu valorile declarate ale altor unelte testate în conformitate cu aceleași standarde. Nivelul emisiilor de vibrații poate fi utilizat pentru evaluarea preliminară a expunerii. Nu se recomandă utilizarea acestor valori declarate în evaluările de risc, iar valorile măsurate în locurile de muncă individuale pot fi mai ridicate. Valorile reale de expunere și riscurile de vătămare experimentate de către un utilizator individual anume sunt unice și depind de modul în care utilizatorul execută lucrările, de piesa de lucru și de modelul stației de lucru, precum și de durata timpului de expunere și de starea fizică a utilizatorului.

Noi, **Desoutter GmbH**, nu putem fi considerați răspunzători de consecințele utilizării valorilor nominale în locul celor ce reflectă expunerea reală, într-o evaluare individuală a riscurilor unei situații care apare la un post de lucru asupra cărora nu avem control.

Această unealtă poate produce sindromul de vibrație mână-braț dacă nu este utilizată în mod adecvat. Ghidul UE privind gestionarea vibrațiilor mână-braț poate fi găsit prin accesarea <http://www.pneurop.eu/index.php> și selectarea opțiunii „Tools” (Unelte) și apoi „Legislation” (Legislație).

Vă recomandăm un program de monitorizare a sănătății pentru a detecta simptomele timpurii care pot apărea ca urmare a expunerii la zgomot și vibrații, astfel încât procedurile de management să poată fi modificate pentru a ajuta la prevenirea agravării situației.

- ❗ Dacă acest echipament este destinat aplicațiilor fixe: Emisia de zgomot este precizată ca un ghid pentru constructorul de mașini. Datele pentru emisia de zgomot și vibrații pentru întreaga mașină trebuie prezentate în manualul de instrucțiuni al mașinii.

Informații referitoare la Articolul 33 din REACH

Regulamentul European (UE) Nr. 1907/2006 privind Înregistrarea, Evaluarea, Autorizarea și restricționarea Substanțelor chimice (REACH) definește, printre altele, cerințele privind

comunicarea din lanțul de aprovizionare. Cerința privind informarea se aplică și la produsele care conțin așa numitele Substanțe care prezintă motive de îngrijorare deosebită („Listă a substanțelor identificate în vederea unei eventuale includeri în procedura de autorizare”). Pe 27 iunie 2018 plumbul metal (CAS nr 7439-92-1) a fost adăugat la Lista substanțelor identificate în vederea unei eventuale includeri în procedura de autorizare.

Urmare a celor de mai sus, prin prezenta vă informăm că anumite componente mecanice din acest produs pot conține plumb metal. Aceasta este în conformitate cu legislația curentă privind restricția substanțelor și în baza excepțiilor legitime din Directiva RoHS (2011/65/UE). Plumbul metal nu se va scurge sau va suferi mutații din produs în timpul utilizării normale, concentrația de plumb metal din produsul finit este mult sub limitele prevăzute. Să aveți în vedere cerințele locale privind eliminarea plumbului la încheierea duratei de exploatare a produsului.

Cerințe regionale

AVERTISMENT

Acest produs vă poate expune la substanțe chimice, inclusiv plumb, care este cunoscut Statului California ca fiind cauzator de cancer și de defecte la naștere sau de alte efecte nocive asupra funcției de reproducere. Pentru mai multe informații, accesați

<https://www.p65warnings.ca.gov/>

Siguranța

A NU SE ARUNCA - A SE PREDĂ UTILIZATORULUI

AVERTISMENT Citiți toate avertismentele, instrucțiunile, ilustrațiile și specificațiile furnizate împreună cu unealta.

În cazul nerespectării tuturor instrucțiunilor de mai jos, este posibilă producerea unei electrocutări, unui incendiu și/sau a unei vătămări grave.

Păstrați toate avertismentele și instrucțiunile pentru consultări ulterioare.

AVERTISMENT Trebuie respectate permanent toate reglementările de siguranță din legislația locală privind instalarea, utilizarea și întreținerea.

Declarație privind utilizarea

- Exclusiv pentru utilizarea profesională.
- Acest produs și accesoriile sale nu trebuie modificate în niciun fel.
- Nu utilizați acest produs dacă este deteriorată.
- În cazul în care datele produsului sau etichetele de avertizare la pericole de pe acesta devin ilizibile sau se detașează, înlocuiți-le imediat.
- Produsul trebuie instalat, utilizat și întreținut exclusiv de către personalul calificat, într-un mediu industrial.

Scop preconizat

Acest produs este destinat îndepărtării de material prin intermediul abrazivilor. Nu este permis niciun alt scop de utilizare.

Instrucțiuni specifice produsului

Operarea

Cerințele privind alimentarea cu aer

1. Asigurați aer uscat și curat cu presiunea maximă de 90 psi (6,3 bar) pentru unealtă. Presiunea mai ridicată reduce drastic viața uneltei.
2. Conectați unealta la linia pneumatică folosind dimensiunile de tub, furtun și adaptor indicate în *schema 3*.

Instalarea / Operarea

1. Slăbiți șurubul de siguranță, instalați discul de debitare între cele două flanșe, strângeți șurubul de siguranță, asigurați-vă că discul de debitare este fixat corect pe unealtă.
2. Conectați unealta ca în *schema 3*.
3. Pentru a porni unealta, trageți de maneta de siguranță (2) și apăsați maneta de acționare (1). Creșteți turația mașinii prin creșterea presiunii aplicate pe maneta de acționare (1). *Consultați schema 2*.
4. Eliberați maneta de accelerație (1) pentru a opri scula. *Consultați schema 1*.

Schimbarea poziției capului

Consultați Schema 4

1. Opriți unealta.
2. Împingeți în față manșeta de blocare (2).
3. Schimbați poziția capului uneltei în sus sau jos (3) sau înapoi la poziția normală. *Consultați Schema 1*.
4. Eliberați manșeta de blocare (4). Manșeta de blocare revine pe poziția inițială. *Consultați Schema 1*

AVERTISMENT

- ▶ Dacă capul uneltei nu este blocat, nu porniți unealta.
- ▶ Evitați să vă răniți la degete, ținându-le departe de mecanisme atunci când acționați capul flexibil.
- ▶ Țineți de marginea mecanismului de fiecare dată când capul flexibil este reglat. Degetele pot fi prinse în mecanism dacă nu sunteți atent.

Schimbarea direcției de rotație

Consultați Schema 5

1. Opriți unealta.
2. Rotiți butonul la (1) „F” (Înainte) sau „R” (Invers) pentru rotația spre înainte și, respectiv, înapoi.
3. Porniți din nou unealta.

După încheierea activității**⚠️ AVERTISMENT Durata de oprire poate fi mai mare de 5 secunde.**

- ▶ Unealta trebuie să fie dezactivată și complet oprită înainte de a fi lăsată din mână.
- ▶ Durata de oprire depinde de tipul foii abrazive folosite.

Puneți jos unealta cu atenție pentru a vă asigura că aceasta nu pornește accidental/singură.

Service-ul și întreținerea**Lubrifiere**

Folosiți un lubrifiant al liniei pneumatice cu ulei SAE #10 reglat la două (2) picături pe minut.

Instrucțiuni de întreținere

- **Respectați reglementările locale privind mediul din țara respectivă pentru manipularea și eliminarea în siguranță a tuturor componentelor.**
- Lucrările de întreținere și reparații trebuie efectuate de personal calificat, folosind numai piese de schimb originale. Contactați producătorul sau cel mai apropiat distribuitor autorizat pentru consultanță cu privire la serviciul tehnic sau dacă aveți nevoie de piese de schimb.
- Pentru evitarea pornirii accidentale trebuie verificat întotdeauna dacă echipamentul a fost deconectat de la sursa electrică.
- Dacă echipamentul este utilizat zilnic, acesta trebuie dezasamblat și verificat trimestrial. Înlocuiți piesele deteriorate sau uzate.
- Pentru reducerea la minimum a timpilor morți se recomandă utilizarea următoarei truse de service: **Trusă de reglaj**

Casarea

- Legislația din țara respectivă trebuie respectată la eliminarea acestui echipament.
- Toate echipamentele deteriorate, foarte uzate sau care funcționează defectuos **NU TREBUIE FOLOSITE**.

Instrucțiuni generale de siguranță**ⓘ Informații suplimentare referitoare la siguranța uneltelor pneumatice portabile:**

- CAGI 2528 - B186.1, CODUL DE SIGURANȚĂ PENTRU UNELTE PNEUMATICE PORTABILE, disponibile la Global Engineering Documents la <https://global.ihs.com/> sau sunați la +1 800 447-2273. Dacă apar dificultăți în obținerea standardelor ANSI, contactați ANSI prin <https://www.ansi.org/>

Pericole asociate alimentării cu aer și conexiunilor

- Aerul comprimat poate cauza vătămări grave.
- Când nu utilizați unealta, înaintea înlocuirii accesoriilor sau când efectuați reparații, opriți alimentarea cu aer, goliți furtunul de aer comprimat și deconectați unealta de la sursa de aer.

- Nu îndreptați niciodată jetul de aer spre persoane.
- Furtunurile cu aer comprimat scăpate de sub control pot provoca vătămări grave. Verificați întotdeauna dacă există furtunuri și racorduri deteriorate sau slabe.
- Nu folosiți cuplaje de deconectare rapidă la această unealtă. Pentru asamblarea corectă consultați instrucțiunile.
- Dacă folosiți cuplaje universale cu răsucire, trebuie montate știfturi de blocare.
- Nu depășiți presiunea maximă a aerului de 6,3 bar / 90 psig sau cea specificată pe plăcuța cu datele tehnice de pe unealtă.

Utilizarea apărătorilor de disc

- Folosiți întotdeauna apărătoarea recomandată, în scopul reducerii riscurilor prezentate de bucățile de disc de polizor rupte.
- Dacă apărătoarea a fost deja supusă șocului ruperii unui disc, nu o mai folosiți. Este posibil să fie deteriorată.
- Apărătoarea trebuie poziționată între disc și utilizator.
- Utilizați bariere suplimentare de protecție pentru a proteja alte persoane împotriva bucăților de disc rupte și a scânteiilor produse prin polizare.

Pericole de agățare și încurcare

- Stați la distanță față de axul rotativ și suprafețele abrazive în timpul rotației. Rotația poate continua câteva secunde după eliberarea butonului de acționare. Nu lăsați unealta din mână până la oprirea sa completă.
- Este posibilă producerea de strangulări, scalpări sau lacerări dacă hainele largi, mănușile, bijuteriile, podoabele pentru gât și părul nu sunt ținute la distanță de unealtă și de accesoriile acesteia.

Pericolele reprezentate de obiectele proiectate

- Spargerea accesoriului, a materialului abraziv sau piesei de prelucrat poate genera bucăți proiectate cu mare viteză. Scânteiile produse prin polizare și chiar și bucățile proiectate de mici dimensiuni pot răni ochii și provoca orbirea.
- Purtați întotdeauna o mască de protecție rezistentă la șoc pentru ochi și față atunci când utilizați, reparați sau întrețineți o unealtă, atunci când schimbați accesoriile acesteia.
- Asigurați-vă că toate persoanele prezente în zonă poartă măști de protecție pentru față și ochi rezistente la impact.
- Spargerea discului de polizor poate provoca vătămări grave sau chiar decesul.
- Măsurați turația polizorului pneumatic cu un turometru în fiecare zi pentru a vă asigura că nu depășește valoarea în RPM marcată pe discul de polizor.
- Este interzisă folosirea discurilor de polizor având o turație nominală mai mică decât cea a polizorului pneumatic.
- Folosind uneltele oferite, asigurați-vă că materialul abraziv este prins în siguranță de polizor. Flanșele nu trebuie să prezinte bavuri sau fisuri și să dispună de suprafețe de prindere. Axele și filetele acestora nu trebuie să fie deteriorate sau uzate.
- Piesa de prelucrat trebuie fixată ferm.

Pericolele prezentate de accesorii

- Când înlocuiți accesoriile opriți întotdeauna alimentarea pneumatică, eliberați presiunea din furtunul de aer și deconectați unealta de la alimentarea pneumatică.
- Utilizați numai tipurile de dispozitive abrazive corespunzătoare, având dimensiunile recomandate.
- Nu folosiți discuri ciobite, crăpate sau care au fost scăpate pe jos.
- Fixarea corectă a discului este esențială pentru evitarea vătămarilor provocate de spargerea discului.
- Nu confundați pasul de filet UNC cu cel metric.
- Discul de polizor trebuie să se potrivească ușor pe ax, pentru a nu se tensiona la nivelul orificiului. Este interzisă folosirea de bușe reductoare la utilizarea de discuri cu orificii mai mari.
- La montarea discurilor abrazive trebuie folosite exclusiv flanșele livrate cu polizorul. În cazul utilizării de șaibe plate sau a altor elemente de îmbinare, discul se poate tensiona. Utilizați întotdeauna discuri groase din sugativă între flanșele de strângere a discului și discul abraziv.
- Dacă sunt furnizate mai multe flanșe pentru a se potrivi cu abrazivi de diferite dimensiuni și tipuri, montați întotdeauna flanșa/flanșele corespunzătoare abrazivului utilizat.
- La montarea de cupe, conuri sau dopuri cu orificii filetate, capătul dinspre ax nu trebuie să atingă partea inferioară a orificiului, deoarece va tensiona abrazivul.
- Strângeți discul pe ax, astfel încât să împiedice alunecarea și aruncarea discului la oprirea polizorului pneumatic.
- Testați discul polizor înainte de polizare prin accelerarea uneltei la turație maximă. Utilizați o barieră de protecție (de exemplu în spatele unui banc de lucru solid), care să rețină eventualele bucăți rupte din disc. În cazul în care constatați o vibrație prea puternică opriți imediat unealta.

Pericole în timpul utilizării

- Operatorii și personalul de întreținere trebuie să fie ași din punct de vedere fizic să controleze volumul, greutatea și forța uneltei.
- Unealta trebuie manevrată corespunzător: fiți pregătit să compensați eventualele mișcări normale sau bruște. Trebuie să aveți ambele mâini libere.
- Contactul cu accesoriul, scânteele produse prin polizare sau suprafața de lucru, poate provoca tăieturi sau arsuri. Evitați un astfel de contact și purtați echipament de protecție ca de exemplu mănuși, șorț și cască.
- Atunci când tăiați, nu permiteți blocarea discului. Pentru a preveni prinderea discului, piesa de lucru trebuie sprijinită în ambele părți ale liniei de tăiere. Dacă discul s-a blocat, eliberați maneta de acționare și eliberați discul. Înaintea continuării lucrului, asigurați-vă că discul este intact și bine fixat.
- Este interzisă folosirea discurilor de tăiere pentru polizare.
- Scânteele produse prin polizare pot aprinde îmbrăcămintea provocând arsuri grave. Asigurați-vă că scânteele nu ajung pe îmbrăcămintea. Purtați îmbrăcămintea ignifugă și aveți la îndemână o găleată cu apă.

- Dacă unealta este utilizată pe plastic sau alte materiale izolatoare există riscul descărcării electrostatice.
- Face ca scânteele să fie ejectate în sens opus atunci când se schimbă direcția de rotație.
- Produce o forță de reacție opusă operatorului atunci când se schimbă direcția de rotație.

Pericole asociate mișcărilor repetitive

- Când utilizează o unealtă electrică pentru activități lucrative, operatorul poate resimți disconfort la nivelul mâinilor, brațelor, umerilor, gâtului sau altor zone ale corpului.
- Adoptați o poziție confortabilă, mențineți-vă sprijinul pe picioare și evitați pozițiile ciudate sau precare. Modificarea poziției în timpul executării unor sarcini prelungite poate evita disconfortul și oboseala.
- Nu ignorați simptomele precum disconfortul, durerile, tremurăturile, furnicăturile, amorțeala, senzațiile de arsură sau rigiditatea persistente și recurente. Încetați utilizarea uneltei, comunicați acest lucru angajatorului și adresați-vă unui medic.

Pericole asociate zgomotului și vibrațiilor

- Nivelul ridicat al sunetului poate provoca hipoacuzia permanentă și alte probleme precum acufena. Folosiți mijloace de protecție pentru auz, așa cum este recomandat de către angajator sau în reglementările de siguranță și sănătate ocupațională.
- Expunerea la vibrații poate provoca dizabilități la nivelul nervilor și circulației mâinilor și brațelor. Purtați îmbrăcămintea caldă și păstrați-vă mâinile calde și uscate. Dacă remarcați amorțeală, furnicături, durere sau albirea pielii încetați utilizarea uneltei, comunicați acest lucru angajatorului și consultați un medic.
- Țineți unealta ușor dar sigur, deoarece riscul asociat vibrațiilor este mai mare dacă forța de apucare este crescută. Dacă este posibil, susțineți greutatea uneltei cu un balansier.
- Pentru prevenirea creșterii accidentale a nivelului de zgomot și vibrații:
 - Utilizați și întrețineți unealta și selectați, întrețineți și înlocuiți accesoriile și consumabilele, conform instrucțiunilor prezentate în acest manual;
 - Pentru a preveni „zdrăngănitul” pieselor de prelucrat folosiți materiale amortizoare.

Riscuri asociate locului de muncă

- Alunecarea/împiedicarea/căderea sunt cauze majore de vătămare gravă sau deces. Acordați atenție porțiunilor de furtun rămase pe podea sau pe suprafețele de lucru.
- Evitați inhalarea pulberilor, vaporilor sau sfărâmăturilor produse în procesul de lucru deoarece pot produce îmbolnăviri (de exemplu cancer, malformații la naștere, astm și/sau dermatite). Când lucrați cu materiale care pot produce particule în suspensie, utilizați extractoare de praf și purtați echipament de protecție a căilor respiratorii.
- Anumite tipuri de praf produs prin sablare, tăiere, polizare, găurire sau în urma altor activități din construcții conțin substanțe chimice care, după cum se știe în

statul California, sunt cancerigene și provoacă malformații congenitale sau afecțiuni reproductive. Printre aceste chimicale se numără:

- Plumbul din vopsele pe bază de plumb
- Cărămizile și cimentul pe bază de oxid de siliciu cristalizat și alte produse de zidărie
- Arsenicul și cromul din cauciucul tratat chimic

Riscul specific acestor expuneri variază în funcție de frecvența efectuării activității respective. Pentru a reduce expunerea la aceste chimicale: lucrați într-o zonă bine aerisită și dotată cu echipamente de protecție aprobate, precum măștile de praf proiectate special pentru filtrarea particulelor microscopice.

- Procedați cu atenție în medii insuficient cunoscute. Pericolele pot fi ascunse, ca de exemplu cabluri electrice sau conducte de altă natură.
- Este posibilă generarea de atmosfere potențial explozive ca urmare a prafului și gazelor eliberate prin șlefuire sau polizare. Utilizați sisteme de extragere sau eliminare a pulberii, adecvate pentru tipul de material în lucru.
- Această unealtă nu este destinată pentru utilizarea în atmosfere potențial explozive și nu este izolată în cazul intrării în contact cu surse de tensiune electrică.

Informații utile

Țara de origine

Taiwan

Site web

Informațiile referitoare la Produsele, Accesoriile, Piese de schimb și Publicațiile noastre se găsesc pe site-ul web Rodcraft.

Vă rugăm să vizitați: www.rodcraft.com.

Fișă tehnică de securitate

Fișele tehnice de securitate descriu produsele chimice vândute de Rodcraft.

Pentru mai multe informații, consultați site-ul web Rodcraft qr.cp.com/sds.

Drepturi de autor

© Copyright 2023, Desoutter GmbH, Edmund-Seng-Str. 3-5, 63477 Maintal, Germany

Toate drepturile rezervate. Este interzisă utilizarea sau copierea integrală sau parțială a conținutului. Acest lucru este valabil pentru mărcile comerciale, denumirile modelelor, numerele componentelor și schițe. A se utiliza exclusiv piese autorizate. Eventualele deteriorări sau defecțiuni cauzate prin utilizarea de piese neautorizate nu este acoperită de garanție nici de certificatul de conformitate.

Beyanlar

AB Uygunluk Beyanı

Biz, **Desoutter GmbH**, Edmund-Seng-Str. 3-5, 63477 Maintal, Germany tamamen kendi sorumluluğumuz altında, ürünün (adı, tipi ve seri numarası ile, ön sayfaya bakınız) aşağıdaki Direktif(ler)e uygun olduğunu beyan ederiz:

2006/42/EC (17/05/2006)

Uygulanan uyumlaştırılmış standartlar:

EN ISO 11148-7 :2012

Yetkililer ilgili teknik bilgileri şuradan talep edebilirler:

Pascal Roussy, R&D Manager, Ets Georges Renault, 38 rue Bobby Sands, BP10273 44818 Saint Herblain, France

Saint-Herblain, 2023/01/09

Pascal ROUSSY



İmza

Gürültü ve Titreşim Açıklaması

- Ses basıncı seviyesi 90 dB(A), belirsizlik 3 dB(A); EN ISO 15744 standardına göre.
- Ses gücü seviyesi 101 dB(A), belirsizlik 3 dB(A); EN ISO 15744 standardına göre.
- Titreşim toplam değeri 4.33 m/s², belirsizlik 1.1 m/s², ISO-28927-4 standardına göre.

Beyan edilen bu değerler, belirtilen standartlara göre yapılan laboratuvar tipi testlerle elde edilmiştir ve aynı standartlara göre test edilen diğer aletlerin beyan edilen değerlerini karşılaştırmak için uygundur. Titreşim emisyon seviyesi bir ilk maruziyet değerlendirmesi için kullanılabilir. Beyan edilen bu değerler, risk değerlendirmelerinde kullanmak için yeterli değildir ve bireysel iş yerlerinde ölçülen değerler daha yüksek olabilir. Gerçek maruz kalma değerleri ve bireysel kullanıcının görebileceği zarar riski duruma özgüdür ve kullanıcının çalışma şekline, iş parçasına ve iş istasyonu tasarımı ile kullanıcının maruz kalma süresi ve fiziksel durumuna bağlıdır.

Desoutter GmbH olarak, üzerinde kontrolümüz olmayan bir işyeri durumunda gerçekleşen bireysel bir risk değerlendirmesinde gerçek maruziyeti yansıtan değerler yerine beyan edilen değerlerin kullanılmasının sonuçlarından sorumlu tutulamayız.

Bu alet, kullanımı yeterli derecede yönetilmediğinde el-kol titreşimi sendromuna yol açabilir. El-kol titreşimini yönetmekle ilgili AB kılavuzuna <http://www.pneurop.eu/index.php> sitesinde, 'Tools' (Araçlar) ve 'Legislation' (Mevzuat) seçeneğinden ulaşılabilir.

Gürültü veya titreşime maruz kalma ile ilgili olabilecek erken belirtileri tespit etmek için bir sağlık gözetimi programı öneriyoruz, böylece yönetim prosedürleri gelecekteki bozulmaları önlemeye yardımcı olacak şekilde değiştirilebilir.

- Eğer bu ekipman sabitlenen uygulamalara yönelikse: Gürültü emisyonu makine üreticisi için bir kılavuz olarak verilmiştir. Makinenin tamamı için gürültü ve titreşim emisyon verileri makinenin kullanım kılavuzunda verilmelidir.

REACH Madde 33 ile ilgili bilgiler

Kimyasalların Kaydı, Değerlendirilmesi, İzni ve Kısıtlanmasına (REACH) ilişkin 1907/2006 sayılı Avrupa Tüzüğü (AB), diğer hususların yanı sıra tedarik zincirindeki iletişimle ilgili gereklilikleri tanımlamaktadır. Bilgi gereklilikleri ayrıca Çok Yüksek Endişe Verici Maddeler ("Aday Listesi") içeren ürünler için de geçerlidir. 27 Haziran 2018 tarihinde Aday Listesine kurşun metali (CAS No. 7439-92-1) eklenmiştir.

Yukarıdakilere uygun olarak, bu, üründeki bazı mekanik bileşenlerin kurşun metali içerebileceğini bildirmek içindir. Bu, mevcut madde kısıtlama mevzuatına uygundur ve RoHS Direktifindeki (2011/65/EU) yasal muafiyetlere dayanmaktadır. Kurşun metali normal kullanım sırasında üründen sızıntı yapmaz veya mutasyona uğramaz ve tüm üründeki kurşun metali konsantrasyonu geçerli eşik sınırının oldukça altındadır. Lütfen ürünün kullanım ömrü sonunda kurşunun bertaraf edilmesine ilişkin yerel gereklilikleri göz önünde bulundurun.

Bölgesel Gereklilikler

⚠ UYARI

Bu ürün Kaliforniya eyaleti tarafından kansere ve doğum kusurlarına veya diğer üreme rahatsızlıklarına neden olduğu bilinen kurşun dahil olmak üzere çeşitli kimyasallara maruz kalmanıza neden olabilir. Daha fazla bilgi için <https://www.p65warnings.ca.gov/> adresini ziyaret edin <https://www.p65warnings.ca.gov/>

Güvenlik

ATMAYIN - KULLANICIYA VERİN

⚠ UYARI Bu elektrikli alet ile birlikte verilen tüm güvenlik uyarılarını, talimatlarını, resimlerini ve sertifikasyonlarını okuyun.

Aşağıda belirtilen tüm talimatlara uyulmaması elektrik çarpmasına, yangına ve/veya ciddi yaralanmalara yol açabilir.

Gelecekte başvurmak üzere bütün uyarıları ve talimatları saklayın.

⚠ UYARI Kurulum, kullanım ve bakıma ilişkin tüm yerel güvenlik kurallarına her zaman uyulmalıdır.

Kullanım Beyanı

- Sadece profesyonel kullanım içindir.
- Bu ürün ve parçalarının hiçbir şekilde tadil edilmemesi gerekir.
- Bu ürün hasar görmüşse kullanmayın.
- Ürün verileri veya tehlike uyarı işaretleri okunamaz hale gelirse veya sökülürse, zaman kaybetmeden yenileyin.
- Ürün endüstriyel bir ortamda sadece nitelikli personel tarafından kurulmalı, çalıştırılmalı ve servisi yapılmalıdır.

Kullanım Amacı

Bu ürün aşındırıcı maddeler kullanılarak malzemelerin kaldırılması için tasarlanmıştır. Diğer her türlü kullanımı yasaktır.

Ürüne Özel Talimatlar

Çalıştırma

Hava Besleme Gereksinimleri

1. Alete maksimum 90 psi (6,3 bar) basınçta temiz ve kuru hava veriniz. Daha yüksek basınç alet ömrünü önemli ölçüde azaltır.
2. Şema 3'te gösterilen boru, hortum ve bağlantı boyutlarını kullanarak aleti hava hattına bağlayın.

Kurulum / Çalıştırma

1. Emniyet vidasını gevşetin, kesme diskini iki flanş arasına takın, emniyet vidasını sıkın, kesme diskinin alete düzgün şekilde sabitlendiğinden emin olun.
2. Aleti şema 3'te gösterildiği gibi bağlayın.
3. Aleti çalıştırmak için, emniyet kolunu (2) çekin ve gaz kolunu (1) itin. Gaz kolu (1) üzerindeki basıncı artırarak makine hızını arttırın. *Bkz. Şema 2.*
4. Aleti durdurmak için gaz kolunu (1) serbest bırakın *Bkz. Şema 1.*

Dönen Baş Pozisyonu

Bkz. Şema 4

1. Aleti durdurun.
2. Kilit manşonunu (2) ileri itin.
3. Alet kafasının konumunu yukarı veya aşağı (3) değiştirin veya normal konuma geri getirin. *Bkz. Şema 1.*
4. Kilit manşonunu (4) serbest bırakın. Kilit manşonu orijinal konumuna geri döner. *Bkz. Şema 1*

⚠ UYARI

- ▶ Alet kafası kilitli değilse aleti çalıştırmayın.
- ▶ Esnek kafayı kullanırken parmaklarımızı mekanizmadan uzak tutarak parmak yaralanmalarını önleyin.
- ▶ Esnek kafa her ayarlandığında mekanizma kenarından tuttuğunuzdan emin olun. Dikkat edilmezse parmaklar mekanizmaya sıkışabilir.

Dönüş Yönünün Değiştirilmesi

Bkz. Şema 5

1. Aleti durdurun.
2. İleri ve geri dönüş için düğmeyi (1) sırasıyla 'F' veya 'R' konumuna getirin.
3. Aleti tekrar çalıştırın.

İş tamamlandıktan sonra**⚠ UYARI Durma zamanı 5 saniyeden daha uzun olabilir.**

- ▶ Yere konulmadan önce aletin kapatılmış olduğundan ve tamamen durduğundan emin olun.
- ▶ Durdurma zamanı kullanılan aşındırıcıya bağlıdır.

Aletin kendi kendine çalışmayacağından emin olmak için aleti dikkatlice yere bırakın.

Servis ve Bakım**Yağlama**

Dakikada iki (2) damlaya ayarlanmış, SAE #10 yağ ile bir hava hattı yağlayıcısı kullanın.

Bakım talimatları

- Tüm bileşenlerin güvenli kullanımı ve bertarafı için yerel ülkenin çevre düzenlemelerine uyun.
- Bakım ve onarım çalışmaları sadece orijinal yedek parçalar kullanılarak kalifiye personel tarafından yapılmalıdır. Teknik servis konusunda tavsiye için veya yedek parça gerektiğinde üretici veya size en yakın yetkili bayi ile irtibata geçin.
- Kazara çalışmasını önlemek için her zaman makinenin elektrik bağlantısının kesildiğinden emin olun.
- Alet her gün kullanılıyorsa, aleti her üç 3 ayda bir sökün ve inceleyin. Hasarlı veya aşınmış parçaları değiştirin.
- Onarım süresini minimumda tutmak için, aşağıdaki servis kiti tavsiye edilir: **Ayarlama kiti**

İmha

- Bu ekipmanın imhası için ilgili ülkenin mevzuatına uyulmalıdır.
- Tüm hasarlı, kötü şekilde yıpranmış veya uygun olmayan şekilde işlev yapan cihazların **KULLANIMINA SON VERİLMELİDİR.**

Genel güvenlik talimatları**ⓘ Portatif havalı aletlerle ilgili ek güvenlik bilgileri:**

- CAGI 2528 - B186.1, PORTATİF HAVALI ALETLER İÇİN GÜVENLİK KODU, <https://global.ihs.com/> adresinden Global Mühendislik Dokümanlarından veya +1 800 447-2273 numaralı telefonu arayarak öğrenilebilir. ANSI standartlarını temin etmekte zorluk yaşıyorsanız <https://www.ansi.org/> adresinden ANSI'yle temas kurunuz.

Hava beslemesi ve bağlantı tehlikeleri

- Basınçlı hava ciddi yaralanmaya neden olabilir.
- Kullanılmadığında, aksesuar değiştirilmeden veya onarım yapılmadan önce daima hava beslemesini kapatın, hortumdaki hava basıncını boşaltın ve aleti hava beslemesinden ayırın.
- Havayı asla kendinize veya başkasına yöneltmeyin.
- Hortumların savrulması ciddi yaralanmalara neden olabilir. Hasarlı veya gevşek hortumlar ve bağlantı parçaları olup olmadığını daima kontrol edin.

- Çabuk açılır kiplerle alette kullanmayın. Doğru kurulum için talimatlara bakın.
- Üniversal bükümlü kaplinler kullanıldığında, kilit pimleri takılmalıdır.
- Maksimum 6,3 bar / 90 psi veya alet tanıtım plakasında belirtilmiş olan hava basıncını aşmayın.

Disk koruyucusu kullanımı

- Kopan taşlama diski parçalarından kaynaklanan yaralanma riskini azaltmak için her zaman tavsiye edilen disk koruyucusunu kullanın.
- Bir koruyucuda disk kırılması meydana geldiyse onu kullanmaya devam etmeyin. Hasar görmüş olabilir.
- Koruyucuyu, taşlama diski ve operatör arasına yerleştirin.
- Başkalarını disk parçalarından ve taşlama kıvılcımlarından korumak için bariyerler kullanın.

Takılma tehlikeleri

- Dönen tahrik milinden ve aşındırıcıdan uzak durun. Dönüş, tetiğin serbest bırakılmasından sonra birkaç saniye daha devam edebilir. Dönüş sona ermeden aleti yere bırakmayın.
- Bol giysiler, eldivenler, takılar, boyunluklar ve saçlar aletten ve aksesuarlardan uzak tutulmazsa boğulma, kafa derisi yüzülmesi ve/veya kesikler oluşabilir.

Fırlama tehlikeleri

- Aksesuarın, aşındırıcının veya iş parçasının arızalanması yüksek hızlı mermiler oluşturabilir. Taşlama kıvılcımları ve fırlayan küçük parçalar bile gözlerde yaralanmaya ve körlüğe neden olabilir.
- Aletin kullanımı, onarımı veya bakımı sırasında ya da alet üzerindeki aksesuarları değiştirirken daima darbeye dayanıklı göz ve yüz koruması kullanın.
- Alanda bulunan herkesin darbeye dayanıklı göz ve yüz koruması kullandığından emin olun.
- Parçalanmış bir taşlama diski çok ciddi yaralanmaya veya ölüme neden olabilir.
- Havalı taşlama makinesinin hızını her gün bir takometre ile ölçün ve taşlama diski üzerinde işaretli RPM değerinden yüksek olmadığından emin olun.
- Asla havalı taşlama makinesinin hızından daha düşük bir hızda işaretlenmiş bir taşlama taşı kullanmayın.
- Sağlanan araçların yardımıyla aşındırıcının taşlama makinesine güvenli bir şekilde kenetlendiğinden emin olun. Flanşlarda çapak ve çatlak olmamalıdır ve bağlantı yüzeyleri düz olmalıdır. Miller ve mil dişleri hasarsız ve aşınmamış olmalıdır.
- İş parçasının güvenli bir şekilde sabitlendiğinden emin olun.

Aksesuar tehlikeleri

- Aksesuarları değiştirirken daima hava beslemesini kapatın, hortumdaki hava basıncını boşaltın ve aleti hava beslemesinden ayırın.
- Yalnızca önerilen boyut ve tipte aşındırıcıları kullanın.
- Kırılmış, çatlamış ya da yere düşmüş olabilecek diskleri kullanmayın.

- Kırılan taşlar nedeniyle yaralanmaları önlemek için taşlama taşının doğru monte edilmesi gerekir.
- UNC ve metrik vida dişleri arasındaki yanlış eşleşmeden kaçının.
- Delik üzerinde zorlanmayı önlemek için taşlama diskleri mil üzerine rahatça geçmelidir. Büyük delikli taşlama disklerini uygun duruma getirmek için daraltıcı bilezik kullanmayın.
- Taşlama diskini monte etmek için sadece taşlama makinesi ile gelen flanşları kullanın. Yassı pullar ya da diğer adaptörler diske aşırı baskı uygulayabilir. Flanşlar ile taşlama diski arasında her zaman ağır kurutma kâğıdı diskleri kullanın.
- Farklı boyut ve tipteki aşındırıcılara uyması için çeşitli flanşlar tedarik edilmişse, her zaman kullanılan aşındırıcı için doğru flanş(lar)ı takın.
- Dişli deliklere sahip kapları, konileri veya tapaları monte ederken, aşındırıcıyı zorlayacağından mil ucu deliğin tabanına temas etmemelidir.
- Havalı taşlama makinesi kapalı iken gezinmesini önlemek için mil üzerindeki diski sıkın.
- Taşlamadan önce aleti tam gazda çalıştırarak taşlama taşını test edin. Kırılabilir disk parçalarının gelmesini önlemek için bir bariyer (örneğin ağır bir iş tablasının altı) kullandığınızdan emin olun. Titreşim çok fazlaysa derhal durun.

Çalışma tehlikeleri

- Operatörler ve bakım personeli, aletin hacmini, ağırlığını ve gücünü fiziksel olarak kaldıramazdır.
- Aleti doğru tutunuz: normal veya ani hareketlere karşı koymaya hazır olunuz - her iki elinizi de serbest tutunuz.
- Aksesuar, taşlama kıvılcımları veya çalışma yüzeyi ile temas ederseniz kesilebilir veya yanabilirsiniz. Bu tür temastan kaçınınız ve eldiven, önlük ve kask gibi koruyucu ekipman kullanın.
- Kesme işlemi sırasında disk sıkışmasını önleyin. Tekerleğin sıkışmasını önlemek için kesme çizgisinin her iki tarafındaki iş parçasını destekleyin. Sıkışma meydana gelirse, gazı serbest bırakın ve tekerleği serbest bırakın. Devam etmeden önce tekerleğin hasarsız olduğunu ve düzgün şekilde sabitlendiğini kontrol edin.
- Yan taşlama için asla kesme disklerini kullanmayın.
- Taşlama kıvılcımları giysileri yakabilir ve ciddi yanıklara neden olabilir. Kıvılcımların giysilerin üzerine düşmediğinden emin olun. Yangına dayanıklı giysiler kullanın ve yakında bir kova su bulundurun.
- Alet plastik ve diğer iletken olmayan maddeler üzerinde kullanıldığında elektrostatik deşarj riski bulunmaktadır.
- Dönüş yönü değiştirildiğinde kıvılcımların ters yönde çıkmasına neden olur.
- Dönüş yönü değiştirildiğinde operatöre zıt bir tepki kuvvetine neden olur.

Tekrarlanan hareket tehlikeleri

- İşe ilişkin aktivitelerde bulunurken elektrikli bir alet kullanıldığı zaman, operatör ellerde, kollarda, omuzlarda, boyunda ve vücudun diğer kısımlarında rahatsızlık hissedebilir.

- Yere sağlam basarak ve uygunsuz veya dengeyi bozacak duruşlardan kaçınarak konforlu bir duruş benimseyin. Uzun süreli işler sırasında duruşunuzu değiştirmek rahatsızlık ve yorgunluğu önlemeye yardımcı olabilir.
- Devamlı veya yinelenen rahatsızlık, acı, çarpıntı, ağrı, karıncalanma, uyuşma, ateş basması veya gerginlik gibi belirtileri göz ardı etmeyin. Aleti kullanmayı bırakın, işvereninize haber verin ve bir doktora başvurun.

Gürültü ve Titreşim tehlikeleri

- Yüksek ses seviyeleri kalıcı işitme kaybına ve kulak çınlaması gibi diğer sorunlara neden olabilir. İşvereniniz veya iş sağlığı ve güvenliği yönetmelikleri tarafından önerildiği şekilde işitme koruması kullanın.
- Titreşime maruz kalmak ellere ve kollara gelen sinirlerin ve kan akışının zarar görmesine neden olabilir. Kalın giysiler giyin ve ellerinizi sıcak ve kuru tutun. Ciltte uyuşma, karıncalanma, ağrı veya beyazlaşma meydana gelirse, aleti kullanmayı bırakın, işvereninize bildirin ve bir doktora danışın.
- Titreşimden kaynaklanan risk, kavrama kuvveti yükseldikçe daha fazla olduğundan, aleti fazla sıkmadan ancak güvenli bir şekilde kavrayın. Mümkünse aletin ağırlığını bir dengeleyici ile destekleyiniz.
- Gürültü ve titreşim seviyelerinde gereksiz artışı önlemek için:
 - Aletin kullanımını ve bakımını, ve aksesuarların ve sarf malzemelerinin seçimini, bakımını ve değişimini bu kullanım kılavuzuna göre yapın;
 - İş parçasının "çınlamasını" önlemek için sönümleyici malzemeler kullanın.

İşyeri tehlikeleri

- Kayma/Takılma/Düşme ciddi yaralanma veya ölüme yol açan önemli bir nedendir. Yürüme veya çalışma yüzeylerinde bırakılan fazla hortuma dikkat edin.
- Toz veya dumanı solumaktan veya iş sürecinden kaynaklanan ve sağlığa (örneğin kanser, doğum kusurları, astım ve/veya dermatit) neden olabilecek kalıntıları tutmaktan kaçınınız. Havada asılı partiküller üreten malzemelerle çalışırken toz emme sistemi kullanın ve solunum koruyucu ekipman takın.
- Elektrikli zımparalama, doğrama, taşlama, delme ve diğer yapı faaliyetlerinin neden olduğu bazı tozlar, California eyaleti tarafından kansere ve doğum kusurlarına veya diğer üreme rahatsızlıklarına neden olduğu bilinen kimyasallar içermektedir. Bu kimyasallardan bazıları şunlardır:
 - Kurşun bazlı boyalardaki kurşun
 - Kristalimsi silis tuğla ile çimento ve diğer duvarcılık ürünleri
 - Arsenik ile kimyasal olarak işlenmiş kauçuktaki krom

Bu maruz kalmalar karşısındaki riskiniz bu tür işleri ne kadar sıklıkla yaptığınıza bağlı olarak değişiklik gösterir. Bu kimyasallara maruz kalma derecesini azaltmak için: iyi havalandırılmış alanlarda çalışın ve özellikle mikroskobik partikülleri filtrelemek üzere tasarlanmış toz maskeleri gibi onaylanmış güvenlik ekipmanı kullanarak çalışın.

- Bilmediğiniz ortamlarda dikkatli hareket edin. Elektrik veya diğer şebeke hatları gibi gizli tehlikeler mevcut olabilir.
- Zımparalamadan veya taşlamadan kaynaklanan toz ve dumansız patlama tehlikesi taşıyan ortamlara neden olabilirler. İşlenmekte olan malzemeye uygun toz çekme ya da giderme sistemlerini kullanın.
- Bu alet muhtemelen patlayıcı ortamlarda kullanılmak üzere tasarlanmamıştır ve elektrik ile temasa karşı yalıtılmamıştır.

Faydalı Bilgiler

Menşei ülke

Taiwan

Web sitesi

Ürünlerimiz, Aksesuarlarımız, Yedek Parçalarımız ve Yayınlanmış Makalelerimizle ilgili bilgileri Rodcraft web sitesinde bulabilirsiniz.

Lütfen ziyaret edin: www.rodcraft.com.

Güvenlik Bilgi Formu

Güvenlik Bilgi Formları Rodcraft tarafından satılan kimyasal ürünleri tanımlamaktadır.

Daha fazla bilgi için lütfen Rodcraft web sitesini qr.cp.com/sds ziyaret edin.

Telif Hakkı

© Telif hakkı 2023, Desoutter GmbH, Edmund-Seng-Str. 3-5, 63477 Maintal, Germany

Tüm hakları saklıdır. İçeriğin veya bir kısmının her türlü yetkisiz kullanımı veya kopyalaması yasaktır. Bu özellikle ticari markalar, model adları, parça numaraları ve çizimler için geçerlidir. Sadece yetkili parçaları kullanın. Onaylanmamış parçaların kullanımı nedeniyle oluşan zararlar veya arızalar Garanti veya Ürün Sorumluluğu kapsamına girmez.

Декларации

Декларация за съответствие ЕС

Ние, **Desoutter GmbH**, Edmund-Seng-Str. 3-5, 63477 Maintal, Germany, декларираме на своя лична отговорност, че продуктът (с наименование, тип и сериен номер, вж. заглавната страница) е в съответствие със следната(ите) Директива(и):

2006/42/ЕС (17/05/2006)

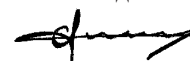
Приложени хармонизирани стандарти:
EN ISO 11148-7 :2012

Властите могат да поискат съответната техническа информация от:
Pascal Roussy, R&D Manager, Ets Georges Renault, 38 rue Bobby Sands, BP10273 44818 Saint Herblain, France

Saint-Herblain, 2023/01/09

Pascal ROUSSY

Подпис



Декларация за шум и вибрации

- Ниво на звуково налягане 90 dB(A) , несигурност 3 dB(A), в съответствие с EN ISO 15744.
- Ниво на звукова мощност 101 dB(A) , несигурност 3 dB(A), в съответствие с EN ISO 15744.
- Обща вибрационна стойност 4.33 m/s², несигурност 1.1 m/s², в съответствие с ISO-28927-4.

Тези деклариранни стойности са получени при изпитвания от лабораторен тип в съответствие с посочените стандарти и са подходящи за сравнение с декларираните стойности на други инструменти, изпитвани в съответствие със същите стандарти. Нивото на вибрационните емисии може да се използва за предварителна оценка на експозицията. Тези деклариранни стойности не са подходящи за използване при оценка на риска, тъй като стойностите, измерени на отделните работни места, могат да бъдат по-високи. Действителните стойности на излагането на въздействие и рискът от увреждания, понасяни от отделния потребител, са уникални и зависят от начина на работа на потребителя, работния елемент и конструкцията на работната станция, както и от времето на експозиция и физическото състояние на потребителя.

Ние, **Desoutter GmbH**, не поемаме отговорност за последствията от използването на декларираните стойности вместо на стойности, отразяващи действителното излагане на въздействие при индивидуална оценка на риска в ситуация на реално работно място, над която нямаме контрол.

Този инструмент може да причини вибрационен синдром на ръката и рамото, ако употребата му не се управлява адекватно. Можете да намерите ръководството на ЕС за управление на вибрациите ръка-рамо, като посетите <http://www.pneurop.eu/index.php> и изберете Tools (Инструменти), а след това - Legislation (Законодателство).

Препоръчваме провеждането на програма за здравен надзор за откриване на ранни симптоми, които може да са свързани с излагането на шум и вибрации, така че работните процедури да бъдат модифицирани с цел предотвратяване на бъдещи увреждания.

- ⓘ Ако това оборудване е предназначено за неподвижни приложения:
Емисиите на шум са посочени като указание за машиностроителя. Данните за емисиите на шум и вибрации за цялата машина трябва да са посочени в ръководството за потребителя на машината.

Информация във връзка с чл. 33 от REACH (Регламент относно регистрацията, оценката, разрешаването и ограничаването на химикали)

Европейският регламент (ЕС) №1907/2006 относно регистрацията, оценката, разрешаването и ограничаването на химикали (REACH) определя, освен други неща, изискванията, свързани с комуникациите във веригата на доставките. Изискването за информация се отнася също и за продукти, съдържащи т. нар. вещества, пораждащи сериозно безпокойство (“списък на кандидати”). На 27 юни 2018 г. металът олово (CAS №7439-92-1) беше добавен към списъка на кандидатите.

Във връзка с гореспоменатото бихме искали да ви информираме, че определени механични компоненти в продукта може да съдържат метала олово. Това е в съответствие с настоящото законодателство за ограничаване на веществата и въз основа на законовите изключения в Директивата за ограничението за употребата на определени опасни вещества в електрическото и електронното оборудване (RoHS) (2011/65/EU). Металът олово няма да изтече от продукта или да се видоизмени в него по време на нормална употреба, и концентрацията на метала олово в цялостния продукт е значително под приложимата прагова стойност. Моля, съобразете се с местните изисквания за изхвърляне на олово при изтичане на годността на продукта.

Регионални изисквания

⚠ ПРЕДУПРЕЖДЕНИЕ

Този продукт може да ви изложи на контакт с химикали, включително олово, за което в щата Калифорния е известно, че причинява рак и вродени малформации или други вреди по отношение на възпроизводителната способност. За допълнителна информация посетете

<https://www.p65warnings.ca.gov/>

Безопасност

НЕ ИЗХВЪРЛЯЙТЕ – ПРЕДАЙТЕ НА ПОТРЕБИТЕЛЯ

⚠ ПРЕДУПРЕЖДЕНИЕ Прочетете всички предупреждения за безопасност, инструкции, илюстрации и спецификации, предоставени с този електрически инструмент.

Неспазването на всички инструкции, посочени по-долу, може да доведе до токов удар, пожар и/или сериозни наранявания.

Запазете всички предупреждения и инструкции за бъдеща справка.

⚠ ПРЕДУПРЕЖДЕНИЕ Трябва да се спазват всички местни законови разпоредби за безопасност относно инсталация, работа и поддръжка.

Декларация за употреба

- Само за професионална употреба.
- Този продукт и неговите принадлежности не могат да бъдат променяни по какъвто и да е начин.
- Не използвайте този продукт, ако е повреден.
- Ако означенията на данните на продукта или предупрежденията за опасност върху него престанат да бъдат четливи или се откачат, незабавно ги подменете.
- Продуктът трябва да бъде инсталиран, използван и обслужван единствено квалифицирани лица в индустриална среда.

Предназначение

Този продукт е разработен за отстраняване на материал чрез абразиви. Не се разрешава използването му за други цели.

Инструкции за този продукт

Работа

Изисквания относно въздухоподаването

1. Подавайте чист, сух въздух с максимално налягане 90 psi (паунд на кв. инч) (6,3 бара). По-високото налягане драстично намалява живота на инструмента.
2. Свържете инструмента към въздуховода с помощта на тръба, маркуч и приспособления с размери, посочени в *схема №3*.

Инсталиране / работа

1. Разхлабете предпазния винт, инсталирайте режещия диск между два фланеца, затегнете предпазния винт и се уверете, че режещият диск е закрепен правилно към инструмента.
2. Свържете инструмента, както е показано на *схема №3*.
3. За да стартирате инструмента, издърпайте предпазния лост (2) и натиснете дроселния лост (1). Увеличете скоростта на машината, като увеличите налягането на дроселния лост (1). *Направете справка със схема №2*.
4. Освободете лоста за газта (1), за да спрете инструмента *Направете справка със схема №1*.

Завъртане на позицията на главата

Направете справка със схема №4.

1. Спрете инструмента.
2. Натиснете напред заключващата втулка (2).
3. Променете позицията на главата на инструмента нагоре или надолу (3) или обратно в нормална позиция. *Направете справка със схема №1*.
4. Освободете заключващата втулка (4). Заключващата втулка се връща в първоначалната си позиция. *Направете справка със схема №1*.

⚠ ПРЕДУПРЕЖДЕНИЕ

- ▶ Не стартирайте инструмента, ако главата му не е заключена.
- ▶ Избягвайте нараняванията на пръстите, като ги държите далеч от механизмите, когато работите с гъвкавата глава.
- ▶ Уверете се, че се придържате към края на механизма всеки път, когато се регулира гъвкавата глава. Пръстите могат да се окажат захванати от механизма, ако не се упражнява внимание.

Смяна на посоката на въртене

Направете справка със схема №5.

1. Спрете инструмента.
2. Завъртете копчето (1) в позиция F или R за въртене съответно в права или обратна посока.
3. Отново стартирайте инструмента.

След приключване на работа**⚠ ПРЕДУПРЕЖДЕНИЕ** Времето за спиране може да е по-дълго от 5 секунди.

- ▶ Уверете се, че инструментът е изключен и е напълно спрял, преди да го оставите.
- ▶ Времето за спиране зависи от използвания абразив.

Оставете внимателно инструмента, за да сте сигурни, че той няма да стартира сам/от само себе си.

Сервизно обслужване и поддръжка**Смазване**

Използвайте смазочни средства за въздуховоди с SAE #10 масло, настроени за отделяне на две (2) капки на минута.

Инструкции за поддръжка

- Спазвайте разпоредбите в областта на околната среда на съответната страна за безопасна работа и изхвърляне на всички компоненти.
- Работите по техническото обслужване и ремонта трябва да се извършват от квалифициран персонал, който използва само на оригинални резервни части. Свържете се с производителя или с най-близкия официален търговски представител за съвети за техническо обслужване или ако се нуждаете от резервни части.
- Винаги проверявайте дали машината е изключена от електрическата мрежа, за да предотвратите случайно задействане.
- Разглобявайте и проверявайте инструмента на всеки 3 месеца, ако той се използва всеки ден. Подменяйте всички повредени или износени части
- За да сведете до минимум времето, в което инструментът не е в употреба, ви препоръчваме следния комплект за техническо обслужване:
Комплект за настройка

Изхвърляне

- При изхвърляне на това оборудване трябва да се спазва законодателството на съответната страна.
- Всички повредени, износени или неправилно функциониращи устройства **ТРЯБВА ДА БЪДАТ СПРЕНИ ОТ УПОТРЕБА.**

Общи инструкции за безопасност**ⓘ Допълнителна информация за безопасност за портативни пневматични инструменти:**

- CAGI 2528 - B186.1, КОДЕКС ЗА БЕЗОПАСНОСТ ЗА ПОРТАТИВНИ ПНЕВМАТИЧНИ ИНСТРУМЕНТИ, наличен на уебсайта на Global Engineering Documents на <https://global.ihs.com/> or call +1 800 447-2273. Ако срещнете трудности при получаването на стандартите ANSI, моля влезте във връзка с ANSI на следния Интернет адрес: <https://www.ansi.org/>

Рискове при снабдяване с въздух и свързване

- Въздухът под налягане може да причини сериозни наранявания.
- Винаги изключвайте въздухоподаването, освобождавайте маркуча от въздушното налягане и прекъсвайте снабдяването с въздух на инструмента, когато не се използва, преди подмяна на принадлежности или когато се извършва ремонт.
- Никога не насочвайте въздушната струя към себе си или към други.
- Ударът от свободен маркуч може да причини тежки наранявания. Винаги проверявайте маркучите и свързващите елементи за повреда или разхлабване.
- Не използвайте муфи за бързо изключване на инструмента. Прочетете указанията за правилно свързване.
- При използване на универсален винтов съединител е задължително монтирането на фиксиращи щифтове.
- Не превишавайте въздушното налягане от 6,3 бара/90 psig или стойността, която е посочена на фирмената табелка на инструмента.

Използване на предпазен щит на диска

- Винаги използвайте препоръчания предпазен щит с цел намаляване на риска от наранявания, причинявани от отчупените парчета от диска.
- Ако в предпазния щит се отчупи парче от диска, преустановете употребата на щита. Той може да е повреден.
- Предпазният щит трябва да се разполага между диска и обслужващото лице.
- Използвайте прегради, за да предпазите останалите от парчетата от диска и възникващите искри.

Опасности от заплитане

- Стойте встрани от въртящия се шпиндел и абразива. Въртенето продължава още няколко секунди след отпускане на ръчката за работа. Не поставяйте инструмента в легнало положение, докато не спре да се върти.
- Ако не държите свободното облекло, ръкавиците, бижутата и косата далеч от инструмента и принадлежностите, това може да доведе до удушаване, скалпиране и/или разкъсвания.

Опасности от летящи частици

- Повреда на приспособлението, абразива или обработвания детайл може да произведе хвърчащи частици с висока скорост. Дори малките частици могат да наранят очите и да причинят ослепяване.
- Винаги носете устойчиви на удар защитни очила и маска за лице по време на работа, ремонт или поддръжка на инструмента или когато сменяте неговите принадлежности.
- Уверете се, че всички лица наоколо носят устойчиви на удар защитни очила и маска за лице.
- При разцепване шлифовъчният диск може да причини тежки наранявания или смърт.
- Ежедневно измервайте скоростта на пневматичния шлайф с тахометър, за да се уверите, че не превишава посочените върху шлифовъчния диск стойности за RPM (об./мин).
- Не използвайте шлифовъчен диск, върху който е указана скорост, по-ниска от скоростта на пневматичната шлайфмашина.
- С помощта на предоставените инструменти се уверете, че абразивът е прикрепен здраво към шлайфмашина. Фланците не трябва да имат грапавини и пукнатини, а затягащите им повърхности трябва да са плоски. Шпинделите и резбите им не трябва да са повредени или износени.
- Уверете се, че обработвания детайл е захванат здраво.

Опасности, свързани с приспособлението

- При смяна на принадлежностите винаги изключвайте въздухоподаването, освобождавайте маркуча от въздушното налягане и разкачвайте инструмента от въздухоподаването.
- Използвайте само препоръчаните типове и размери шлифоващи повърхности.
- Не използвайте повреден, спукан диск или такъв, който може да е бил изпускан.
- Правилното монтиране на шлифовъчния диск е необходимо с цел предотвратяване на наранявания, причинени от счупени дискове.
- Не бъркайте цоловите с метричните размери на резбите.
- Дискът трябва да приляга към шпиндела безпрепятствено, за да не се затяга при отворстието. Не използвайте стесняващи втулки за монтиране на дискове с по-големи отворстия.

- За монтиране на шлифовъчния диск могат да се използват само фланците, предоставени с машината. При използване на плоски шайби или други приспособителни елементи дискът може да се затегне прекомерно. Винаги слагайте притискащ картонен лист между фланците и шлифовъчния диск.
- Ако са доставени няколко фланеца, подходящи за различни размери и видове абразиви, винаги монтирайте правилния/правилните фланец/фланци за използвания абразив.
- При монтиране на купи, конуси или щепсели с отворстия с резби, край на шпиндела не трябва да влиза в контакт с дъното на отворстието, тъй като това ще натовари абразива.
- Затегнете диска върху шпиндела, за да избегнете неговото падане при изключване на машината.
- Изпробвайте шлифовъчния диск преди работа, като пуснете инструмента на пълна скорост. Непременно използвайте ограничаваща преграда (например работете на работна маса), предпазваща от евентуални отчупващи се парчета. Ако усетите силна вибрация, преустановете работа незабавно.

Опасности при работа

- Персоналът, работещ с инструмента и извършващ неговата поддръжка, трябва да бъде физически годен за работа с размерите, теглото и мощността на инструмента.
- Дръжте инструмента правилно: бъдете готови да реагирате на нормални или внезапни движения – и двете ви ръце трябва да са свободни.
- Можете да се порежете или изгорите, ако влезете в контакт с приспособлението, отскачащи искри или работната повърхност. Избягвайте такъв контакт и носете защитна екипировка като например ръкавици, престилка и каска.
- Избягвайте притискане, когато режете с диска. Краищата на обработвания детайл трябва да се подпрат и от двете страни на линията на рязане, за да не се заклеци дискът. Ако дискът се заклеци, отпуснете дросела и освободете диска. Преди да продължите работа, проверете дали дискът е невредим и закрепен правилно.
- Не използвайте режещ диск за шлифование.
- Искрите при шлайфане могат да възпламят дрехите и да причинят сериозни изгаряния. Внимавайте върху дрехите ви да не попаднат искри. Носете огнеупорно облекло и дръжте наблизо кофа с вода.
- При използване на инструмента върху пластмасови и други непроводими материали съществува риск от електростатичен разряд.
- При смяна на посоката на въртене се произвеждат искри в противоположната посока.
- При смяна на посоката на въртене спрямо оператора се създава противоположна реактивна сила.

Опасности от повтарящи се движения

- Когато използва електроинструмент, за да извършва трудова дейност, операторът може да изпита дискомфорт в дланите, ръцете, раменете, врата и други части на тялото.
- Заемете удобна позиция, стъпили стабилно и избягвайки неудобен или небалансиран строеж. Промяната на позата по време на продължителни задачи може да помогне за избягване на дискомфорта и умората.
- Не игнорирайте симптоми като постоянен или повтарящ се дискомфорт, болка, туптене, изтръпване, вкочаняване, изгарящо усещане или схващане. Прекратете работата с инструмента, уведомете работодателя си и се консултирайте с лекар.

Рискове от шум и вибрации

- Високите нива на шум могат да доведат до трайна загуба на слух и други проблеми като шум в ушите. Използвайте защитни средства за слуха съгласно препоръките на вашия работодател или наредбите, свързани със здравето и безопасността на работното място.
- Излагането на вибрация може да доведе до инвалидизиращо увреждане на нервите и кръвоснабдяването към дланите и ръцете. Носете топли дрехи и пазете ръцете си топли и сухи. Ако се появи вкочаненост, изтръпване, болка или побеляване на кожата, спрете работата с инструмента, уведомете работодателя си и се консултирайте с лекар.
- Дръжте инструмента с лек, но сигурен захват, защото рискът от вибрация обикновено е по-силен, когато силата на захвата е по-голяма. Винаги, когато е възможно, поддържайте теглото на инструмента с балансир.
- За да намалите ненужното увеличаване на нивата на шум и вибрации:
 - Експлоатирайте и поддържайте инструмента и избирайте, поддържайте и подменяйте аксесоарите и консумативите съгласно инструкциите за употреба;
 - Използвайте материали, поглъщащи шума, за да предотвратите „звъненето“ на обработваните детайли.

Опасности на работното място

- Подхлъзване/препъване/падане са основните причини за сериозни наранявания или смърт. Внимавайте, ако видите дълъг маркуч, оставен на пешеходната зона или в работната зона.
- Избягвайте вдишването на прах или изпарения или боравенето с отломки от работния процес, които могат да доведат до увреждане на здравето (напр. рак, вродени малформации, астма и/или дерматит). Използвайте система за прахоулавяне и носете респираторни предпазни средства, когато работите с материали, които отделят частици, които се носят по въздуха.
- Някои прахове създадени в резултат на полиране, рязане, точене, пробиване с машина и други строителни дейности съдържат химикали, които са

познати в щата Калифорния като причинители на рак и дефекти по рождение и могат да нанесат и други репродуктивни вреди. Някои примери за такива химикали са:

- Олово и бои на оловна основа
- Тухли и цимент от кристален силициев диоксид и други зидарски продукти
- Арсен и хром от химически обработена гума

Рисковете за вас от излагането на подобни въздействия зависят от това колко често извършвате работа от този вид. За да намалите излагането на тези химикали: работете в добре проветрявано помещение и с одобрена защитна екипировка като защитни маски против прах, които са специално изработени да филтрират микроскопични частици.

- При работа в непозната обстановка подхождайте с внимание. Възможно е да съществуват скрити опасности, като напр. електропроводи или други обществени мрежи.
- По принцип избухливи атмосфери могат да бъдат причинени от прах или дим в резултат от полиране или шлифоване. Използвайте система за прахоулавяне или отстраняване на праха, която е подходяща за материала, който се обработва.
- Този инструмент не е предназначен за употреба във взривоопасна околна среда и не е изолиран против контакт с електрически източници.

Полезна информация**Произход на продукта**

Taiwan

Уебсайт

Информация относно нашите продукти, аксесоари, резервни части и публикации можете да намерите на уебстраницата на Rodcraft.

Моля, посетете: www.rodcraft.com.

Страница с информация, свързана с безопасността

Страниците с данните, свързани с безопасността, описват химическите продукти, продавани от Rodcraft.

Моля, консултирайте се с уебстраницата на Rodcraft за допълнителна информация qr.cp.com/sds.

Авторско право

© Copyright 2023, Desoutter GmbH, Edmund-Seng-Str. 3-5, 63477 Maintal, Germany

Всички права запазени. Забранява се всяко неразрешено използване или копиране на съдържанието или част от него. Това се отнася в частност за търговски марки, названия на модела, номера на части и чертежи. Използвайте само оригинални резервни части. Повреди

или неизправности вследствие на употреба на неоригинални части не се покриват от гаранцията или отговорността за вреди, причинени от продукта.

Izjave

EU izjava o sukladnosti

Mi, **Desoutter GmbH**, Edmund-Seng-Str. 3-5, 63477 Maintal, Germany, izjavljujemo pod vlastitom odgovornošću da je proizvod (naziv, tip i serijski broj, vidi naslovnu stranu) u skladu sa sljedećom(im) direktivom(ama):

2006/42/EC (17/05/2006)

Primijenjene usklađene norme:

EN ISO 11148-7 :2012

Nadležna tijela mogu zahtijevati relevantne tehničke podatke od:

Pascal Roussy, R&D Manager, Ets Georges Renault, 38 rue Bobby Sands, BP10273 44818 Saint Herblain, France

Saint-Herblain, 2023/01/09

Pascal ROUSSY



Potpis

Izjava o buci i vibracijama

- Razina zvučnog tlaka 90 dB(A), odstupanje 3 dB(A), u skladu s EN ISO 15744.
- Razina zvučne snage 101 dB(A), odstupanje 3 dB(A), u skladu s EN ISO 15744.
- Ukupna vrijednost vibracija 4.33 m/s², odstupanje 1.1 m/s², u skladu s ISO-28927-4.

Ovdje navedene vrijednosti dobivene su ispitivanjima u laboratoriju u skladu s navedenim normama i prikladne su za usporedbu s navedenim vrijednostima drugih alata ispitanih u skladu s istim normama. Razina emisije vibracija mogla bi se koristiti za pripremnu procjenu izloženosti. Ovdje navedene vrijednosti nisu prikladne za uporabu u analizama rizika, a vrijednosti izmjerene na pojedinačnim radnim mjestima mogu biti veće. Stvarne vrijednosti izlaganja i rizik od štetnosti koja može postojati za pojedinačnog korisnika su jedinstvene i ovise o načinu rada korisnika, radnom komadu i konstrukciji radne stanice te o vremenu izlaganja i fizičkom stanju korisnika.

Mi, **Desoutter GmbH**, ne možemo se smatrati odgovornima za posljedice uporabe navedenih vrijednosti umjesto vrijednosti koje odražavaju stvarno izlaganje u pojedinačnoj procjeni rizika situacije koja se događa na radnom mjestu nad kojim nemamo nadzor.

Ovaj alat može izazvati sindrom vibriranja ruke ako se njime ne rukuje na odgovarajući način. Vodič EU-a o upravljanju vibriranjem ruke možete pronaći na stranici <http://www.pneurop.eu/index.php>: odaberite „Tools“ (Alati), a zatim „Legislation“ (Zakonodavstvo).

Preporučujemo program nadzora zdravlja da se uočerani simptomi koji mogu biti povezani s izlaganjem buci ili vibracijama tako da se mogu izmijeniti postupci upravljanja vibracijama kako bi se spriječilo buduće oštećenje zdravlja.

- i** Ova oprema namijenjena je za postupke pričvršćivanja: Emisije buke navedene su kao vodič projektantima strojeva. Podaci o emisiji buke i vibracija za cijeli stroj trebaju se navesti u uputama za uporabu stroja.

Informacije u vezi sa članom 33 Uredbe REACH

Europska uredba (EU) br. 1907/2006 o Registraciji, evaluaciji, autorizaciji i ograničavanju kemikalija (REACH) između ostalog definira zahtjeve vezane za komunikaciju u lancu opskrbe. Zahtjev za informacijama također se odnosi na proizvode koji sadrže takozvane tvari koje izazivaju veliku zabrinutost ("Popis kandidata"). 27. lipnja 2018. olovo (CAS br. 7439-92-1) je dodato na Popis kandidata.

U skladu s prethodnom napomenom, obavještavamo vas da određene mehaničke komponente u proizvodu mogu sadržavati olovo. Ovo je u skladu s aktualnim propisima o ograničenju tvari i zasniva se na zakonskim izuzećima iz Direktive RoHS (2011/65/EU). Olovo iz proizvoda neće cureti ili mutirati tijekom normalne uporabe a koncentracija olova u gotovom proizvodu je znatno ispod primjenjive granične vrijednosti. Uzmite u obzir lokalne zahtjeve o zbrinjavanju olova na kraju životnog vijeka proizvoda.

Lokalni uvjeti

⚠ POZOR

Ovaj proizvod može vas izložiti kemikalijama, uključujući olovo, a prema državi Kaliforniji, olovo može prouzročiti rak i urođene mane ili druge probleme spolnog sustava. Za više informacija idite na

<https://www.p65warnings.ca.gov/>

Sigurnost

NE BACAJTE – PREDAJTE KORISNIKU

⚠ POZOR Pročitajte sva sigurnosna upozorenja, sve upute, ilustracije i specifikacije isporučene uz ovaj električni alat.

Ako se ne pridržavate svih dolje navedenih uputa, može doći do strujnog udara, požara i/ili teške ozljede.

Spremite sva upozorenja i sve upute za buduću uporabu.

⚠ POZOR Uvijek se morate pridržavati lokalnih zakonskih sigurnosnih propisa o ugradnji, radu i održavanju.

Izjava o uporabi

- Samo za profesionalnu uporabu.
- Ovaj proizvod i njegov pribor ne smiju se mijenjati ni na koji način.
- Ne upotrebljavajte ovaj proizvod ako je bio oštećen.
- Ako podaci o proizvodu ili znakovi upozorenja o opasnosti na proizvodu više nisu čitljivi ili otpadnu, odmah ih zamijenite.

- Rukovanje proizvodom, te njegovo ugrađivanje i servisiranje je dozvoljeno samo kvalificiranom osoblju u industrijskom okruženju.

Pravilna uporaba

Ovaj je proizvod projektiran za uklanjanje materijala primjenom abraziva. Nije dopuštena druga uporaba.

Upute specifične za proizvod

Rad uređaja

Potrebe za opskrbu zrakom

1. Alat opskrbite čistim, suhim zrakom sa maksimalnim tlakom 90 psi (6,3 bara). Viši tlak drastično smanjuje životni vijek alata.
2. Povežite alat sa zračnim vodom pomoću cijevi, crijeva i spojnice u veličinama prikazanim na *shemi 3*.

Ugradnja / Rukovanje

1. Otpustite sigurnosni vijak, ugradite rezni disk između dvije prirubnice, zategnite sigurnosni vijak, provjerite je li ploča za rezanje pravilno pričvršćena za alat.
2. Povežite alat kao što je prikazano na *shemi 3*.
3. Za pokretanje alata povucite sigurnosnu polugu (2) i gurnite ručicu prigušnice (1). Povećajte brzinu stroja povećanjem pritiska na ručicu prigušnice (1). Pogledajte *Shemu 2*.
4. Otpustite ručicu gasa (1) kako biste zaustavili alat. *Shemu 1*.

Okretanje položaja glave

Pogledajte *Shemu 4*

1. Zaustavite alat.
2. Gurnite zaporni rukavac prema naprijed (2).
3. Promijenite položaj glave alata prema gore ili prema dolje (3) ili vratite u uobičajeni položaj. *Pogledajte Shemu 1*.
4. Otpustite zaporni rukavac (4). Zaporni rukavac se vraća u svoj uobičajeni položaj. *Pogledajte Shemu 1*

POZOR

- ▶ Nemojte pokretati alat ako glava alata nije blokirana.
- ▶ Izbjegnite ozljede prstiju tako šro ćete prste držati podalje od mehanizama dok rukujete fleksibilnom glavom.
- ▶ Obavezno pridržite rub mehanizma svaki put kada podešavate fleksibilnu glavu. Ako ne obratite pozornost, mehanizam vam može uhvatiti prste.

Promjena smjera okretanja

Pogledajte *Shemu 5*

1. Zaustavite alat.
2. Okrenite gumb (1) na „F” ili „R” za rotaciju prema naprijed odnosno nazad.
3. Ponovo pokrenite alat.

Nakon završetka rada

POZOR Vrijeme zaustavljanja može biti dulje od 5 sekundi.

- ▶ Pazite da isključite alat i da ga potpuno zaustavite prije polaganja.
- ▶ Vrijeme zaustavljanja zavisi od rabljene brusne ploče.

Pažljivo odložite alat kako biste osigurali da se alat neće pokrenuti sam od sebe.

Servisiranje i održavanje

Podmazivanje

Uporabite podmazivač zračnog voda s uljem SAE #10, podešen na dvije (2) kapljice u minuti.

Upute za održavanje

- Pridržavajte se ekoloških propisa dotične zemlje u vezi sa sigurnim rukovanjem i odlaganjem svih komponenti.
- Održavanje i popravak mora izvesti kvalificirano osoblje koristeći samo originalne pričuvne dijelove. Kontaktirajte s proizvođačem ili najbližim ovlaštenim trgovcem kako ako vam treba savjet, tehnička podrška ili zamjenski dijelovi.
- Uvijek se uvjerite da je stroj isključen iz izvora napajanja kako biste izbjegli neželjeno uključivanje.
- Rastavite i pregledajte alat svaka 3 mjeseca ako ga koristite svakodnevno. Zamijenite oštećene ili istrošene dijelove.
- Kako biste vrijeme zastoja skratili na najmanju moguću mjeru, preporučuje se sljedeći servisni komplet: **Komplet za podešavanje**

Zbrinjavanje

- Pri odlaganju ove opreme potrebno je pridržavati se zakona dotične zemlje.
- Sve oštećene, jako istrošene i uređaje koji ne funkcioniraju pravilno **TREBA POVUĆI IZ UPORABE**.

Opće sigurnosne upute

Dodatne sigurnosne informacije u vezi sa prijenosnim pneumatskim alatima:

- CAGI 2528 - B186.1, SIGURNOSNE SMJERNICE ZA PRIJENOSNE PNEUMATKSE ALATE, dostupne su u Global Engineering Documents na <https://global.ihs.com/> ili nazovite +1 800 447-2273. U slučaju poteškoća s pribavljanjem ANSI standarda, kontaktirajte ANSI na <https://www.ansi.org/>

Opskrba zrakom i opasnosti pri spajanju

- Zrak pod tlakom može prouzročiti teške ozljede.
- Uvijek zatvorite dovod zraka, ispustite tlak iz crijeva i odspojite alat s dovoda zraka kada se on ne upotrebljava, prije zamjene pribora ili pri popravcima.
- Nikada ne usmjeravajte zrak izravno prema sebi ili drugima.

- Nekontrolirano pomicanje crijeva može prouzročiti teške ozljede. Uvijek provjerite jesu li crijeva i priključci oštećeni ili labavi.
- Nemojte upotrebljavati brze spojnice na ovom alatu. Vidi upute za pravilno postavljanje.
- Uvijek kada se upotrebljavaju univerzalne zakretne spojnice, moraju biti instalirani zaporni klinovi.
- Nemojte prekoračiti maksimalni tlak zraka od 6,3 bara/90 psi ili onaj koji je naveden na nazivnoj pločici alata.

Uporaba štitnika brusne ploče

- Uvijek upotrijebite preporučeni štitnik da smanjite rizik od ozljeda uzrokovanih odlomljenim dijelovima brusne ploče.
- Ako je štitnik pretrpio lomljenje brusne ploče, nemojte ga dalje upotrebljavati. Možda je oštećen.
- Postavite štitnik između brusne ploče i rukovatelja.
- Upotrijebite pregrade da zaštitite druge osobe od fragmenta brusne ploče i iskrenja.

Opasnosti od zahvaćanja pokretnim dijelovima

- Držite se podalje od okretnog pogonskog vratila i abraziva. Okretanje se može nastaviti i nekoliko sekundi nakon otpuštanja regulatora. Nemojte odlagati alat na pod dok okretanje ne prestane.
- Može doći do gušenja, čupanja kose i/ili porezotina ako ne držite labavu odjeću, rukavice, nakit, ogrlice i kosu podalje od alata i njegovih priključaka.

Opasnosti od projektila

- Ako zakaže pribor, abraziv ili radni predmet mogu proizvesti projektele velike brzine. Iskre pri brušenju pa čak i sitni projektili mogu ozlijediti oči i uzrokovati sljepoću.
- Tijekom rada uvijek nosite zaštitu za oči i lice otpornu na udarce, pri popravcima i održavanju alata ili dok mijenjate priključke na alatu.
- Osigurajte da sve druge osobe u blizini nose zaštitu za oči i lice otporne na udarce.
- Ako se brusna ploča rasprsne, može uzrokovati vrlo teške ozljede ili smrt.
- Svakodnevno mjerite tahometrom brzinu pneumatske brusilice da biste se uvjerali da ona ne prelazi broj okr/min naveden na brusnoj ploči.
- Nikada ne upotrebljavajte brusnu ploču s oznakom niže brzine od brzine pneumatske brusilice.
- Uz pomoć priloženog alata osigurajte da je abraziv čvrsto stegnut na brusilici. Prirubnice ne smiju imati bruseve i napuknuća i moraju imati plosnatu pričvrstnu površinu. Osovine i navoji osovina ne smiju biti oštećeni ili istrošeni.
- Pazite da radni komad bude dobro pričvršćen.

Opasnosti od pribora

- Uvijek isključite dovod zraka, ispustite tlak iz crijeva i odspojite alat s dovoda zraka prije nego što zamijenite pribor.
- Upotrebljavajte samo preporučene veličine i vrste abraziva.

- Nemojte upotrebljavati okrhnutu ili naprsnutu brusnu ploču ili ploče koje su možda bile ispuštene.
- Pravilna montaža brusne ploče neophodna je da se spriječi ozljede zbog napuknuća brusnih ploča.
- Izbjegavajte neusklađenost između UNC-a i metričkih navoja.
- Brusne ploče moraju slobodno nalijegati na vratilo da se spriječi naprezanje u otvoru. Nemojte upotrebljavati adaptere za namještanje brusnih ploča s velikim otvorom.
- Za montažu brusne ploče upotrijebite isključivo prirubnice koje se isporučuju s brusilicom. Ravne podloške ili drugi adapteri mogu prenapregnuti brusnu ploču. Uvijek upotrebljavajte diskove od teškog upijajućeg papira između prirubnica i brusne ploče.
- Ako je isporučeno nekoliko prirubnica koje odgovaraju različitim veličinama i vrstama brusnih ploča, uvijek postavite odgovarajuće prirubnice za brusnu ploču koja se upotrebljava.
- Kada postavljate sferične, stožaste ili priključne ploče s navojnim rupama, kraj osovine ne smije dodirivati dno rupe zato što će napregnuti brusnu ploču.
- Zategnite ploču na vratilo da spriječite odvrtnje pri uključivanju pneumatske brusilice.
- Isprobajte brusnu ploču prije brušenja tako da alat radi pri punim okretajima. Obavezno upotrijebite pregradu (npr. ispod teškog radnog stola) kako biste zaustavili moguće odlomljene dijelove brusne ploče. Ako su vibracije prejake, odmah zaustavite alat.

Opasnosti pri radu

- Rukovatelji i osoblje za održavanje moraju biti u stanju fizički podnijeti veličinu, težinu i snagu ovog alata.
- Držite ispravno alat: Budite spremni reagirati na normalne ili iznenadne pokrete i neka vam obje ruke budu slobodne.
- Možete dobiti posjekotine ili opekline ako dođete u kontakt s priborom, iskrama pri brušenju ili radnom površinom. Izbjegavajte takav kontakt i nosite zaštitnu opremu poput rukavica, pregače i kacige.
- Izbjegavajte zaglavljivanje ploče pri rezanju. Poduprite izradak s obje strane crte rezanja da spriječite uklještenje ploče u rezu. Ako dođe do uklještenja, otpustite regulator i polako oslobodite rezu ploču. Prije nastavka rada provjerite je li ploča neoštećena i pravilno učvršćena.
- Nikada ne upotrebljavajte rezne ploče za bočno brušenje.
- Iskre pri brušenju mogu zapaliti odjeću i izazvati teške opekline. Pobrinite se da iskre ne padnu na odjeću. Nosite vatrostalnu odjeću i držite kanticu s vodom u blizini.
- Postoji opasnost od elektrostatičkog pražnjenja ako se alat upotrebljava na plastičnim ili drugim neprovodljivim materijalima.
- Uzrokuje izbacivanje iskri u suprotnom smjeru pri promjeni smjera okretanja.
- Uzrokuje suprotnu silu reakcije rukovatelju kada se promijeni smjer okretanja.

Opasnosti od ponavljanih kretnji

- Kada upotrebljava pneumatski alat da obavlja aktivnosti u okviru posla, rukovatelj može osjetiti neugodu u rukama, ramenima, vratu ili drugim dijelovima tijela.
- Zauzmite udoban položaj, zadržavajući siguran stav i izbjegavajući neprikladne položaje ili položaje koji su van ravnoteže. Promjena položaja tijekom izvođenja dugotrajnih zadataka može pomoći izbjegavanju osjećaja neugode i umora.
- Nemojte zanemarivati simptome poput stalne ili ponavljajuće neugode, boli, pulsiranja, bolnosti, trnjenja, neosjetljivosti, osjećaja pečenja ili krutosti. U tom slučaju prestanite koristiti alat, obavijestite svojeg poslodavca i potražite savjet liječnika.

Opasnosti od buke i vibracija

- Visoka razina buke može izazvati trajno oštećenje sluha i druge probleme kao npr. tinitus. Upotrijebite zaštitu za uši prema preporukama poslodavca ili u skladu s propisima o sigurnosti na radu i zaštiti zdravlja.
- Izlaganje vibracijama može dovesti do oštećivanja živaca i sprječavanja dotoka krvi do šaka i ruka. Nosite toplu odjeću i čuvajte ruke toplima i suhima. Ako se pojavi ukočenost, zujanje u ušima, bol ili bijeljenje kože, prestanite s uporabom alata, obavijestite svojeg poslodavca i potražite savjet liječnika.
- Držite alat laganim, ali čvrstim prihvatom, jer je opasnost od vibracija u pravilu veća ako je sila prihvata veća. Gdje god je to moguće poduprite težinu alata podupiračem.
- Da spriječite nepotrebno povećanje razine buke i vibracija:
 - Upotrebljavajte i održavajte alat te odaberite, održavajte i mijenjajte pribor i potrošni materijal u skladu s ovim uputama za uporabu.
 - Upotrebljavajte prigušni materijal da spriječite zvonjavu radnog komada.

Opasnosti na radnom mjestu

- Klizanje/spoticanje/padanje glavni su uzroci teških ozljeda ili smrti. Pazite na višak crijeva koje je ostavljeno na prolaznim ili radnim površinama.
- Izbjegavajte udisanje prašine ili dima ili rukovanje ostacima iz radnog procesa koji mogu ugroziti zdravlje (na primjer, uzrokovati rak, urođene mane, astmu i/ili dermatitis). Upotrijebite opremu za uklanjanje prašine i nosite zaštitnu opremu za disanje kada radite s materijalima koji stvaraju čestice u zraku.
- Neke prašine koje nastaju brušenjem brusnim papirom, rezanjem, brušenjem, bušenjem ili drugim proizvodnim aktivnostima sadrže kemikalije koje su u državi Kaliforniji poznate kao izazivači raka i urođenih mana ili štetno djeluju na reproduktivnost. Neki primjeri takvih kemikalija su:
 - Olovo od boja na bazi olova
 - Cigle od silikatnih materijala, cement i drugi zidarski proizvodi
 - Arsen i krom iz kemijski tretirane gume

Vaš rizik od ovih izlaganja mijenja se ovisno o načinu na koji obavljate ovu vrstu posla. Da smanjite svoju izloženost ovim kemikalijama: Radite u dobro provjetra-

vanim područjima i radite s odobrenom sigurnosnom opremom kao što su maske za zaštitu od prašine koje su posebno projektirane da filtriraju mikroskopske čestice.

- U nepoznatim sredinama radite pažljivo. Mogu postojati skrivene opasnosti kao što su električna energija ili druge instalacije.
- Potencijalno eksplozivne sredine mogu nastati zbog prašine i para koje se stvaraju kod finog brušenja brusnim papirom ili brušenja. Uvijek koristite sustave za uklanjanje ili smanjenje prašine koji su prikladni za obrađivani materijal.
- Ovaj alat nije namijenjen uporabi u potencijalno eksplozivnim atmosferama i nije izoliran u slučaju kontakta s električnom strujom.

Korisne informacije**Zemlja podrijetla**

Taiwan

Web stranica

Informacije o proizvodima, priboru, zamjenskim dijelovima i izdanjima možete pronaći na našoj internetskoj stranici Rodcraft.

Posjetite web mjesto: www.rodcraft.com.

Sigurnosno-tehnički list

Sigurnosno-tehnički list opisuje kemijske proizvode koje prodaje Rodcraft.

Za više informacija o tvrtki Rodcraft posjetite web stranicu qr.cp.com/sds.

Autorsko pravo

© Autorsko pravo 2023, Desoutter GmbH, Edmund-Seng-Str. 3-5, 63477 Maintal, Germany

Sva su prava pridržana. Zabranjena je svaka neovlaštena uporaba ili kopiranje sadržaja ili njegovog dijela. To se posebno odnosi na zaštitne znakove, oznake modela, brojeve dijelova i crteže. Upotrebljavajte samo odobrene dijelove. Jamstvo ili odgovornost za proizvod ne obuhvaćaju bilo kakva oštećenja ili kvarove izazvane uporabom neodobrenih dijelova.

Deklaracijis**ES atitikties deklaracija**

Mes, **Desoutter GmbH**, Edmund-Seng-Str. 3-5, 63477 Maintal, Germany, vienašališkos at-sakomybės pagrindu pareiškiamo, kad gaminy-s (pavadinimą, tipinį ir serijos numerį žr. pirmame puslapyje), atitinka šią (-as) Direktyvą (-as):

2006/42/EC (17/05/2006)

Taikyti darnieji standartai:

EN ISO 11148-7 :2012

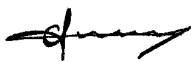


Atitinkamos techninės informacijos institucijos gali pareikalauti iš:
Pascal Roussy, R&D Manager, Ets Georges Renault, 38 rue Bobby Sands, BP10273 44818 Saint Herblain, France

Saint-Herblain, 2023/01/09

Pascal ROUSSY

Parašas



Deklaracija dėl triukšmo ir vibracijos

- Garso slėgio lygis 90 dB(A), neapibrėžtis 3 dB(A), pagal EN ISO 15744.
- Garso galios lygis 101 dB(A), neapibrėžtis 3 dB(A), pagal EN ISO 15744.
- Bendras vibracijos dydis 4.33 m/s², neapibrėžtis 1.1 m/s², pagal ISO-28927-4.

Čia deklaruotos vertės buvo gautos laboratoriniais bandymais, atliktais pagal nurodytus standartus. Jas galima lyginti su deklaruotomis kitų įrankių vertėmis, nustatytomis atlikus bandymus pagal tokius pat standartus. Vibracijos intensyvumą taip pat galima naudoti preliminariam poveikio vertinimui. Šios deklaruotos vertės netinka naudoti vertinant riziką, nes konkrečioje darbo vietoje apskaičiuotos vertės gali būti ir didesnės. Faktinės poveikio vertės ir žalos, kurią gali patirti konkretus naudotojas, rizika yra unikalios ir priklauso nuo darbo būdo, ruošinio ir darbo vietos išplanavimo, taip pat – nuo poveikio trukmės ir naudotojo fizinės būklės.

Mes, **Desoutter GmbH**, negalime būti laikomi atsakingi už deklaruotų verčių naudojimo vietoje faktinių verčių pasekmes individualiai įvertinant riziką darbo vietoje, kurios sąlygų negalime kontroliuoti.

Netinkamai valdomas šis įrankis gali sukelti rankos–plaštakos vibracijos sindromą. Plaštakas ir rankas veikiančios vibracijos valdymo ES vadovas yra svetainės <http://www.pneurop.eu/index.php> skyriaus „Tools“ (įrankiai) poskyryje „Legislation“ (teisės aktai).

Ankstyviems simptomams, kurie gali būti susiję su vibracijos eksponavimu, nustatyti ir valdymo procedūroms keisti taip, kad išvengtumėte pakenkimo ateityje, mes rekomenduojame sveikatos priežiūros programą.

ⓘ Jei ši įranga yra skirta naudoti sutvirtinus:

Triukšmo spinduliuotė pateikiama kaip orientyras mašinos gamintojui. Visos mašinos triukšmo ir vibracijos spinduliuotės duomenys turi būti pateikiami mašinos instrukcijų vadove.

Informacija apie 33 Straipsnį dėl cheminių medžiagų registracijos, įvertinimo, autorizacijos ir apribojimų (REACH)

Europos reglamento (EB) Nr. 1907/2006 dėl cheminių medžiagų registracijos, įvertinimo, autorizacijos ir apribojimų (REACH) tarp kitų dalykų pateikia reikalavimus dėl bendravimo tiekimo grandinėje. Informacijos pateikimo reikalavimas taip pat yra taikomas ir produktams, kuriuose yra taip vadinamos labai didelį susirūpinimą keliančiomis medžiagomis („Kandidatų sąrašas“) 2018 birželio 27d. švino metalas (CAS nr 7439-92-1) buvo įtrauktas į Kandidatų sąrašą.

Pagal šį punktą, jūs turite būti informuojami apie tai, kad tam tikri produkte esantys mechaniniai komponentai gali turėti švino metalo. Šią informaciją reikia pateikti laikantis šiuo metu galiojančios medžiagų apribojimo teisės akto, pagrįsto teisėtomis išimtimis, nurodytomis dėl tam tikrų pavojingų medžiagų naudojimo elektros ir elektroninėje įrangoje apribojimo (2011/65/EU) direktyvoje. Švino metalas neturi praskverbti arba mutuoti gaminyje, jį naudojant normaliomis aplinkybėmis, o jo koncentracija užbaigtame produkte yra daug žemesnė nei jam taikoma riba. Prašom laikytis vietos reikalavimų atsikratant švinu, esančiu gaminyje, pasibaigus gaminio naudojimo laikui.

Regioniniai reikalavimai

⚠ ĮSPĖJIMAS

Šis produktas gali sukelti jums pavojų dėl cheminių medžiagų poveikio, įskaitant šviną – Kalifornijos valstija žino, kad tai gali sukelti vėžį, apsigimimų ir kitą žalą reprodукцinei sistemai. Daugiau informacijos rasite

<https://www.p65warnings.ca.gov/>

Sauga

NEIŠMESTI – ATIDUOTI VARTOTOJUI

⚠ ĮSPĖJIMAS Perskaitykite visus su šiuo elektriniu įrankiu pateikiamus įspėjimus, instrukcijas, iliustracijas ir specifikacijas.

Jei bus nesilaikoma visų toliau pateiktų instrukcijų, gali kilti elektros smūgio, gaisro ir (arba) sunkaus sužeidimo pavojus.

Išsaugokite visus įspėjimus ir nurodymus, kad prirėkus vėliau galėtumėte pasiskaityti.

⚠ ĮSPĖJIMAS Visada būtina laikytis visų galiojančių vietinių sumontavimo, eksploatacijos ir techninės priežiūros saugos taisyklių.

Naudojimo deklaracija

- Skirta tik profesionaliam naudojimui.
- Draudžiama atlikti bet kokius šio gaminio ir jo priedų pakeitimus.
- Nenaudokite šio gaminio, jei jis apgadintas.
- Jei nebeįžiūrėti arba atplyšo lipdukai su gaminio įspėjimais ženkais, juos iškart pakeiskite.
- Gaminį gali diegti, naudoti ir techniškai prižiūrėti tik kvalifikuotas personalas pramoninio montažo aplinkoje.

Numatytoji paskirtis

Šis gaminys skirtas šalinti medžiagas naudojant šlifuojamąjį priedą. Naudojimas kitai paskirčiai draudžiamas.

Specialios gaminio instrukcijos

Eksplotavimas

Oro tiekimo reikalavimai

- Į įrankį tiekite švarų, sausą orą, kurio maks. slėgis yra 90 psi (6,3 barų). Didėnis slėgis drastiškai sumažina įrankio tarnavimo laiką.
- Prijunkite įrankį prie oro linijos naudodami vamzdžius, žarnas ir jungiamąsias detales, nurodytus 3 *schemoje*.

Montavimas / eksploatavimas

- Atsukite apsauginį varžtą, įstatykite pjovimo diską tarp dviejų flanšų, priveržkite apsauginį varžtą, įsitikinkite, kad pjovimo diskas tinkamai pritvirtintas prie įrankio.
- Prijunkite įrankį, kaip parodyta 3 *schemoje*.
- Norėdami paleisti įrankį, patraukite saugos svirtį (2) ir nuspauskite droselinę svirtį (1). Padidinkite mechanizmo greitį didindami slėgį ant droselinės svirties (1). Žr. 2 *schemą*.
- Atleiskite droselio svirtį (1), kad sustabdytumėte įrankį Žr. 1 *schemą*.

Galvutės pasukimo padėtis

Žr. 4 *schemą*

- Sustabdykite įrankį.
- Pastumkite fiksuojamąją įvorę į priekį (2).
- Pakeiskite įrankio galvutės padėtį, pastumdami ją aukštytyn arba žemyn (3) arba grąžindami į pirminę padėtį. Žr. 1 *schemą*.
- Atlaisvinkite fiksuojamąją įvorę (4). Fiksuojamoji įvorė grįžta į pradinę padėtį. Žr. 1 *schemą*

⚠️ ĮSPĖJIMAS

- ▶ Nepaleiskite įrankio, jei įrankio galvutė nėra užfiksuota.
- ▶ Venkite pirštų sužalojimų, laikydami juos atokiau nuo mechanizmo, kai dirbate su lanksčia galvute.
- ▶ Kiekvieną kartą reguliuodami lanksčią galvutę būtinai laikykitės už mechanizmo krašto. Nekreipiant dėmesio, pirštai gali įkliūti į mechanizmą.

Sukimosi padėties keitimas

Žr. 5 *schemą*

- Sustabdykite įrankį.
- Pasukite rankenėlę (1) į „F“ arba „R“ padėtį ir atitinkamai pasukite.
- Dar kartą paleiskite įrankį.

Pabaigus darbą

⚠️ ĮSPĖJIMAS Sustojimo laikas gali būti ilgesnis nei 5 sekundės.

- ▶ Prieš padėdami įsitikinkite, kad įrankis išjungtas ir visiškai sustojo.
- ▶ Sustojimo laikas priklauso nuo naudojamo abrazyvo.

Atsargiai padėkite įrankį ir užtikrinkite, kad jis neįsijungs savaime.

Techninis aptarnavimas ir priežiūra

Sutepimas

Naudokite oro linijai skirtą SAE #10 tepalą, kurio tiekimas sureguliuotas įj tiekti du (2) lašai per minutę.

Techninės priežiūros instrukcijos

- Laikykitės vietinių šalies aplinkosaugos taisyklių, kad saugiai tvarkytumėte ir šalintumėte visas sudedamąsias dalis.
- Bet kokie techninės priežiūros ar remonto darbai turėtų būti pavesti kvalifikuotiems specialistams, naudojantiems tik originalias atsargines dalis. Jei prireikė patarimo dėl techninės priežiūros arba atsarginių dalių, susisiekite su gamintoju ar artimiausiu įgaliotuoju prekybos atstovu.
- Siekdami išvengti netyčinio įrenginio veikimo, visada patikrinkite, ar jis atjungtas nuo energijos šaltinio.
- Jei įrankis naudojamas kasdien, jį išardykite ir apžiūrėkite kas 3 mėnesius. Pakeiskite visas pažeistas arba nusidėvėjusias dalis.
- Siekiant išvengti prastovų, rekomenduojama naudoti šį priežiūros rinkinį: **Derinimo rinkinys**

Šalinimas

- Išmetant šią įrangą reikia vadovautis atitinkamos šalies teisės aktais.
- **NEEKSPLOATUOKITE** apgadintų, labai nusidėvėjusių ar netinkamai veikiančių įrenginių.

Bendrosios saugos instrukcijos

ⓘ Papildoma saugos informacija apie nešiojamus orinius įrankius:

- CAGI 2528 - B186.1, SAUGOS KODAS PAGALBINIAMS ORINIAMS ĮRANKIAMS, prieinamas „Pasaulio techniniuose dokumentuose“ adresu <https://global.ihs.com/> arba telefonu +1 800 447-2273. Jei kilo sunkumų, susijusių su ANSI standartų įsigijimu, susisiekite su ANSI adresu <http://www.ansi.org/>

Oro tiekimo ir jungčių pavojai

- Suspaustas oras gali sukelti sunkių sužalojimų.
- Kai nenaudojate, prieš keisdami priedus arba atlikdami taisymus, visada išjunkite oro tiekimą, išleiskite iš žarnos susidariusį oro slėgį ir atjunkite įrankį nuo oro tiekimo.
- Niekada nenukreipkite oro tiesiai į save ar bet kurį kitą asmenį.
- Besiplaikstančios žarnos gali sunkiai sužaloti. Visada patikrinkite, ar nėra pažeistų arba laisvų žarnų arba pritvirtinimų.
- Nenaudokite su įrankiu greitai atjungiamų movų. Tinkamą sąranką žr. instrukcijose.
- Jei naudojamos universalios užsukamos movos, jos turi būti su fiksavimo kaiščiais.

- Neviršykite maksimalaus 6,3 bar / 90 psig oro slėgio arba nurodyto prietaiso pavadinimo lentelėje.

Disko gaubto naudojimas

- Visuomet naudokitės rekomenduotomis rato apsaugos priemonėmis, kad būtų sumažintas pavojus susižeisti sulūžusiomis šlifavimo rato dalimis.
- Jei apsaugos priemonė išlaikė rato lūžimą, daugiau ja nebesinaudokite. Ji gali būti sugadinta.
- Apsaugos priemonę statykite tarp šlifavimo rato ir operatoriaus.
- Naudokitės barjeriais, kad apsaugotumėte kitus asmenis nuo rato fragmentų ir šlifavimo kibirkščių.

Įsipainiojimo pavojai

- Laikykitės atokiai nuo besisukančio disko veleno ir abrazyvų. Velenas gali dar keletą sekundžių suktis atpalaidavus droselį. Nepadėkite įrankio, kol jis nenustojo suktis.
- Jei nelaikysite laisvų drabužių, pirštinių, papuošalų ir kaklo aksesuarų bei plaukų atokiau nuo įrankio ir priedų, galite uždusti ir (arba) patirti plėštinių žaizdų.

Rizikos atvejai, susiję su dalelių lakstymu

- Priedų, abrazyvų ar ruošinio gedimas gali būti dideliu greičiu išsviedžiamų dalelių atsiradimo priežastis. Šlifavimo kibirkštys ir net smulkios lakstančios dalelės gali sužeisti akis ar apakinti.
- Dirbdami su įrankiu, remontuodami arba prižiūrėdami jį, keisdami įrankio detales visada naudokitės smūgiams atspariomis akių ir veido apsaugos priemonėmis.
- Pasirūpinkite, kad visi darbo vietoje esantys žmonės būtų užsidėję smūgiams atsparias akių ir veido apsaugos priemones.
- Susprogęs šlifavimo ratas gali labai smarkiai sužeisti ar užmušti.
- Kasdien matuokite pneumatinio šlifautuvo apskas tachometru, kad įsitikintumėte, jog jos nėra didesnės nei apskas per minutę (RPM), pažymėtos ant šlifavimo rato.
- Niekuomet nesinaudokite šlifavimo ratu, kurio apskas yra mažesnės, nei pneumatinio šlifautuvo.
- Naudodami pateiktus įrankius įsitikinkite, kad abrazyvas yra tvirtai prispaustas prie šlifoklio. Flanšai turi būti be įgręžų ir įskilimų, o suveržiamas paviršius turi būti lygus. Sukliai ir suklių sriegiai turi būti neapgadinti ir nenusidėvėję.
- Sekite, kad apdorojamoji detalė būtų tvirtai užfiksuota.

Rizika, susijusi su priedais

- Visuomet išjunkite oro tiekimą, ištuštinkite žarną nuo suspausto oro ir atjunkite įrankį nuo oro tiekimo, kai keičiate priedus.
- Naudokite tik rekomenduoto dydžio ir tipo abrazyvus.
- Nevartokite aplūžusių ar įskilusių ratų arba ratų, kurie galėjo būti nukritę.
- Būtina teisingai sumontuoti šlifavimo ratą, kad ne-susižalotumėte sulūžusiais ratais.
- Venkite nesutapimų tarp UNC ir metrinių sriegių.

- Šlifavimo ratai turi būti laisvai užmauti ant veleno, kad būtų išvengta įtampos angoje. Nesinaudokite siaurinančiomis įvorėmis, norėdami pritaikyti šlifavimo ratą plačioje skylėje.
- Naudokite tik tuos flanšus, kurie pristatomi kartu su šlifautuvu ir yra skirti šlifavimo rato montavimui. Plokšti tarpikliai ar kiti adapteriai gali pernelyg įtempti diską. Visuomet dėkite storo sugeriamojo popieriaus diskus tarp jungių ir šlifavimo disko.
- Jei tiekiami keletas flanšų, kad tiktų įvairių dydžių ir tipų šlifavimo priedams, visada parinkite tinkamą flanšą (-us), pritaikytą (-us) naudojamam šlifavimo priedui.
- Jei montuojate dubenėlio, kūgio formos ratus ar kištukus su srieginėmis angomis, suklio galas neturi liesti prie angos apačios, nes tokiu atveju bus spaudžiamas šlifavimo priedas.
- Priveržkite ratą ant veleno, kad jis nenulėktų išjungus pneumatinį šlifautuvą.
- Prieš šlifudami išbandykite šlifavimo diską įjungdami įrankį pilnu droseliu. Neužmirškite naudoti barjeriais (tokiais, kaip sunkus darbastalis), kad jis sustabdytų visas galinčias sulūžti detales. Iš karto sustokite, jei vibracija tampa didelė.

Su darbu susiję pavojai

- Su įrankiu dirbantys ir jį prižiūrintys darbuotojai turi fiziškai pajėgti išlaikyti įrankį pagal jo svorį bei galingumą.
- Teisingai laikykite įrankį: būkite pasiruošę neutralizuoti įprastinius ar staigius judesius – tai daryti reikia abiem rankom.
- Galite įsipjauti ar nusideginti, jei prisiliesite prie priedų, šlifavimo kibirkščių ar darbo paviršiaus. Venkite sąlyčio ir dėvėkite tokias apsaugos priemones kaip pirštinės, prijuostė ir šalmas.
- Sekite, kad pjovimo metu ratas neušsikimštų. Prilaikykite detalę, kurią pjaunate iš abiejų pjuvuo pusių, kad ratas neįstrigtų. Jei ratas visgi užstrigo, atpalaiduokite droselį ir išlaisvinkite ratą. Patikrinkite, ar ratas nėra pažeistas, ir gerai jį įtvirtinkite prieš tęsdami darbą.
- Niekuomet nenaudokite pjovimo rato kraštams šlifuoti.
- Šlifavimo metu susidarančios kibirkštys gali uždegti drabužius ir sunkiai nudeginti. Pasirūpinkite, kad kibirkštys neužkristų ant drabužių. Dėvėkite ugniai atsparius drabužius ir netoliese turėkite kaušą su vandeniu.
- Yra elektrostatinės iškvos grėsmė, jei įrankis naudojamas ant plastiko ar kitų nelaidžių medžiagų.
- Keičiant sukimosi kryptį, kibirkštys išsiskiria priešinga kryptimi.
- Keičiant sukimosi kryptį, operatoriui sukelia priešingą reakcijos jėgą.

Pavojai dėl pasikartojančio judesio

- Dirbdamas elektriniu įrankiu operatorius gali patirti nepatogių pojūčių rankose, pečiuose, kakle ar kitose kūno dalyse.
- Pasistenkite stovėti patogiai, kojos turi būti tvirtai atremtos, venkite prarasti pusiausvyrą ir nepatogių padėčių. Nepatogumo ir nuovargio galima išvengti keičiant kūno padėtį.

- Neignoraukite simptomų, pavyzdžiui, nuolatinio ar pasikartojančio nepatogumo, skausmo, smilkčiojimo, spengimo, tirpulis, deginimo jausmo ar sustingimo. Nustokite dirbti įrankiu, informuokite savo darbdavį ir kreipkitės į gydytoją.

Triukšmo ir vibracijos pavojai

- Įrankio keliamas didelis triukšmas gali negrįžtamai pakentti klausai ir sukelti kitų problemų, pavyzdžiui, spengimą ausyse. Naudokite ausų apsaugas, kurias rekomenduoja jūsų darbdavys ar darbuotojų sveikatos ir saugos teisės aktai.
- Vibracijos poveikis gali pažeisti nervus ir rankų bei kojų kraujotaką. Dėvėkite šiltus drabužius ir pasirūpinkite, kad rankos būtų šiltos ir sausos. Jei pajuntate tirpimą, dilgčiojimą, skausmą arba pabūla oda, nustokite dirbti įrankiu, informuokite savo darbdavį ir kreipkitės į gydytoją.
- Lengvai tačiau tvirtai laikykite įrankį, kadangi vibracijos pavojus yra didesnis, jei įrankis suimamas stipriai. Jei įmanoma, kompensuokite įrankio svorį naudodami stabilizatorių.
- Kad būtų išvengta nereikalingo triukšmo ir vibracijos lygio lygio padidėjimo:
 - Naudokite ir prižiūrėkite įrankį, pasirinkite, prižiūrėkite ir keiskite priedus ir sunaudojamas dalis pagal šias naudojimo instrukcijas;
 - Naudokite garsą slopinančias medžiagas, kad būtų išvengta ruošinio „cypimo“;

Pavojai darbo vietoje

- Paslydimas, suklupimas ar griuvimas yra pagrindinės sunkių ar mirtinų sužeidimų priežastys. Saugokitės žarnų paliktų vietoje, kur vaikštoma, arba darbo srityje.
- Stenkitės neįkvėpti dulkių ar garų ir liesti lūženų darbo metu, nes tai gali būti pavojinga sveikatai (pavyzdžiui, sukelti vėžį, apsigimimus, astmą ir (arba) dermatitą). Dirbdami su medžiagomis, kurios skleidžia daleles į orą naudokite dulkių ištraukimo sistemas ir dėvėkite apsaugines kvėpavimo priemones.
- Kai kuriose dulkėse sukeltose šlifavimo, pjovimo, gręžimo ir kitų veiksmų yra chemikalų, kurie, kaip žinoma Kalifornijos valstijoje, gali sukelti vėžį, įgimtas ydas arba kitą reprodukcinę žalą. Kai kurių šių chemikalų pavyzdžiai:
 - Švinas iš dažų, kurių pagrindas yra švinas
 - Kristalinio silicio plytos ir cementas bei kiti mūriniai gaminiai
 - Arsenas ir chromas iš chemiškai apdorotos gumos
 Sąveikos su šiais chemikalais poveikis gali skirtis atsižvelgiant į tai kaip dažnai dirbate šį darbą. Norėdami sumažinti sąveiką su šiais chemikalais: dirbkite gerai vėdinamoje patalpoje ir naudokite patvirtintas saugumo priemones, pvz., dulkių kaukes, kurios specialiai sukurtos tam, kad filtruotų mikroskopines daleles.
- Ypač būkite atsargūs nepažįstamoje aplinkoje. Gali egzistuoti paslėpti pavojai, pvz., elektros ar kitos komunalinės linijos.
- Šlifavimo sukeltos dulkės ir dūmai gali aplinką paversti potencialiai sprogia. Gali būti tokių nepastebimų pavojų, tokių kaip elektra arba kitos aptarnaujamosios linijos.

- Šis įrankis nėra skirtas vartojimui potencialiai sprogioje aplinkoje ir nėra izoliuotas nuo sąlyčio su elektros energija.

Naudinga informacija

Kilmės šalis

Taiwan

Tinklavietė

Informaciją apie mūsų Gaminis, Priedus, Atsargines dalis ir Paskelbtus klausimus rasite Rodcraft puslapyje.

Apsilankykite: www.rodcraft.com.

Saugos duomenų lapas

Saugos duomenų lapuose aprašomi cheminiai produktai, parduodami Rodcraft.

Apsilankykite Rodcraft svetainėje ir sužinokite daugiau qr.cp.com/sds.

Autorių teisės

© Copyright 2023, Desoutter GmbH, Edmund-Seng-Str. 3-5, 63477 Maintal, Germany

Visos teisės saugomos. Draudžiamas bet koks šio turinio ar jo dalies naudojimas arba kopijavimas neturint tam leidimo. Tai ypač taikoma prekių ženklams, modelių pavadinimams, dalių numeriams ir brėžiniams. Naudokite tik leistinas dalis. Jei gaminys veiks blogai arba suges dėl neleistinų dalių naudojimo, garantija nebus taikoma.

Deklaracijos

ES atbilstības deklaracija

Mēs, **Desoutter GmbH**, Edmund-Seng-Str. 3-5, 63477 Maintal, Germany, vienpersoniski uzņēmoties atbildību, paziņojam, ka produkts (ar nosaukumu, tipu un sērijas numuru, kas atrodami titullapā) atbilst šai direktīvai(-ām):

2006/42/EC (17/05/2006)

Piemērotie saskaņotie standarti:

EN ISO 11148-7 :2012

Iestādes var pieprasīt nepieciešamo tehnisko informāciju no:

Pascal Roussy, R&D Manager, Ets Georges Renault, 38 rue Bobby Sands, BP10273 44818 Saint Herblain, France

Saint-Herblain, 2023/01/09

Pascal ROUSSY



Paraksts

Pārskats par trokšņa un vibrācijas deklarāciju

- Skaņas spiediena līmenis 90 dB(A), nenoteiktība 3 dB(A) saskaņā ar EN ISO 15744.

- Skaņas jaudas līmenis 101 dB(A), nenoteiktība 3 dB(A) saskaņā ar EN ISO 15744.
- Kopējā vibrācijas vērtība 4.33 m/s², nenoteiktība 1.1 m/s² saskaņā ar ISO-28927-4.

Šīs deklarētās vērtības tika iegūtas, izmantojot laboratorijas tipa testēšanu saskaņā ar noteiktajiem standartiem, un tās ir piemērotas tādu instrumentu salīdzināšanai, kuru deklarētās vērtības ir pārbaudītas saskaņā ar tādiem pašiem standartiem. Vibrācijas emisijas līmeni var izmantot iepriekšējam iedarbības novērtējumam. Šīs deklarētās vērtības nav piemērotas riska novērtēšanai, un atsevišķās darba vietās izmērītās vērtības var būt lielākas. Faktiskās iedarbības vērtības un kaitējuma risks katram lietotājam ir unikāls un ir atkarīgs no veida, kā lietotājs strādā, no darba detaļas un darba stacijas konstrukcijas, kā arī iedarbības laika un lietotāja fiziskā stāvokļa.

Mēs, **Desoutter GmbH**, neatbildam par sekām, kas radušās no norādīto vērtību, nevis reālās iedarbības vērtību lietošanas personiskā riska novērtējumā darbavietā situācijā, kuru mēs nekontrolējam.

Ja šī instrumenta lietošana netiek atbilstoši pārvaldīta, tas var izraisīt plaukstu/roku vibrāciju sindromu. ES vadlīnijas par plaukstu-roku vibrāciju var atrast vietnē <http://www.pneurop.eu/index.php>, izvēloties “Instrumenti” un pēc tam “Likumdošana”.

Iesakām izmantot veselības novērošanas programmu, lai atklātu agrīnus simptomus, kas varētu būt saistīti ar vibrācijas iedarbību, lai varētu mainīt atbilstošo darba organizāciju, nepieļaujot turpmāku stāvokļa pasliktināšanos.

- i** Ja šī iekārta ir paredzēta statistiskiem pielietojumiem: Trokšņa emisijas vērtība ir norādīta kā vadlīnija mašīnu ražotājam. Trokšņa un vibrācijas emisijas datiem par visu mašīnu jābūt norādītiem mašīnas lietošanas rokasgrāmatā.

Informācija par REACH 33. pantu

Eiropas Regula (ES) Nr. 1907/2006, kas attiecas uz ķīmisko vielu reģistrēšanu, vērtēšanu, licencēšanu un ierobežošanu (REACH) cita starpā nosaka arī prasības, kas saistītas ar komunikāciju piegādes ķēdē. Prasība sniegt informāciju attiecas arī uz produktiem, kas satur tā sauktās īpaši bīstamās vielas (“kandidātu saraksts”). 2018. gada 27. jūnijā kandidātu sarakstam tika pievienots svina metāls (CAS Nr. 7439-92-1).

Saskaņā ar iepriekš minēto, ar šo informējam jūs, ka noteiktas mehāniskās produkta sastāvdaļas var saturēt svina metālu. Tas ir saskaņā ar spēkā esošajiem tiesību aktiem par vielu ierobežošanu, un to pamatā ir RoHS direktīvā (2011/65/ES) paredzētie likumīgie atbrīvojumi. Parastā lietošanas laikā no ražojuma neizplūst vai nemutējas svina metāls, un svina metāla koncentrācija visā produktā ir ievērojami zemāka par piemērojamo robežvērtību. Lūdzu, ņemiet vērā vietējās prasības attiecībā uz svina iznīcināšanu produkta kalpošanas laika beigās.

Reģionālās prasības

⚠ BRĪDINĀJUMS

Šis produkts var jūs pakļaut svina apdraudējumam, kurš Kalifornijas štatā ir zināms kā vēža un iedzimtu defektu izraisītājs, kā arī citu reproduktīvo funkciju kaitējumu avots. Lai saņemtu plašāku informāciju, apmeklējiet <https://www.p65warnings.ca.gov/>

Drošība

NEIZMETIET — NODODIET LIETOTĀJAM

⚠ BRĪDINĀJUMS Izlasiet visus drošības brīdinājumus, norādījumus, ilustrācijas un specifikācijas, kas saņemtas kopā ar šo elektroinstrumentu.

Neievērojot visus tālāk sniegtos norādījumus, varat izraisīt elektrisko triecienu, ugunsgrēku un/vai smagas traumas.

Saglabājiet visus brīdinājumus un norādījumus turpmākai uzziņai.

⚠ BRĪDINĀJUMS Pastāvīgi jāievēro visi vietējie drošības noteikumi, kas attiecas uz uzstādīšanu, ekspluatāciju un apkopi.

Produkta pielietojums

- Tikai profesionālai lietošanai.
- Šo produktu un tā palīgaprīkojumu aizliegts jebkāda veidā pārveidot.
- Neizmantojiet šo produktu, ja tas ir bojāts.
- Ja produkta dati vai bīstamības brīdinājuma zīmes uz produkta vairs nav salasāmas vai atļīmējas, nekavējoties nomainiet tās.
- Šo produktu drīkst uzstādīt, lietot un apkalpot tikai kvalificēta persona rūpnieciskā montāžas vidē.

Paredzētais pielietojums

Šis izstrādājums ir paredzēts materiāla noņemšanai, izmantojot abrazīvus piederumus. Citi lietošanas veidi nav atļauti.

Produktam specifiskas instrukcijas

Darbība

Gaisa padeves prasības

1. Nodrošiniet instrumentam tīru, sausu gaisu ar maksimālo spiedienu 90 psi (6,3 bar). Augstāks spiediens krasi samazina instrumenta kalpošanas laiku.
2. Pievienojiet instrumentu gaisa līnijai, izmantojot cauruļu, šļūteņu un veidgabalu izmērus, kas parādīti 3. *shēmā*.

Uzstādīšana / darbība

1. Atskrūvējiet drošības skrūvi, ievietojiet griešanas disku starp diviem atlokiem, pievelciet drošības skrūvi un pārlicinieties, ka griešanas disks ir pareizi piestiprināts pie instrumenta.

2. Pievienojiet instrumentu, kā parādīts 3. *shēmā*.
3. Lai palaistu instrumentu, pavelciet drošības sviru (2) un nospiediet droseles sviru (1). Palieliniet iekārtas ātrumu, palielinot spiedienu uz droseles sviru (1). *Skat. 2. shēmu*.
4. Atlaidiet droseles sviru (1), lai apturētu darbarīku. *Skat. 1. shēmu*.

Griezošās galvas pozīcija

Skat. 4. shēmu

1. Apturiet instrumentu.
2. Pavelciet uz priekšu bloķēšanas uznavu (2).
3. Samainiet instrumentu galvas pozīciju uz augšu vai uz leju (3), vai atpakaļ sākotnējā pozīcijā. *Skat. 1. shēmu*.
4. Atlaidiet uznavu (4). Bloķēšanas uznavu atgriežas savā sākotnējā pozīcijā. *Skat. 1. shēmu*

⚠ BRĪDINĀJUMS

- ▶ Nepalaidiet instrumentu, ja tā galva nav nofiksēta.
- ▶ Izvairieties no pirkstu traumām, netuvinot pirkstus pie mehānismiem, kad lietojat lokano galvu.
- ▶ Pārliecinieties, ka katru reizi, kad tiek pielāgota lokanā galva, turieties pie mehānisma malas. Neuzmanības gadījumā, mehānismā var iekerties pirksti.

Rotācijas virziena maiņa

Skat. 5. shēmu

1. Apturiet instrumentu.
2. Pagrieziet grozāmpogu (1) uz "F" vai "R", lai attiecīgi iestatītu rotāciju uz priekšu vai reversā.
3. Atkārtoti palaidiet instrumentu.

Pēc tam, kad darbs ir pabeigts

⚠ BRĪDINĀJUMS Apstāšanās laiks var būt ilgāks par 5 sekundēm.

- ▶ Pirms instrumenta nolikšanas pārliecinieties, ka instruments ir izslēgts un tā kustība ir pilnīgi apturēta.
- ▶ Apstāšanās laiks ir atkarīgs no izmantotā abrazīvā materiāla.

Rūpīgi nolieciet instrumentu, lai nodrošinātu, ka tas nesāks darboties pats no sevis.

Apkope un uzturēšana

Eļļošana

Izmantojiet gaisa vada eļļnīcu ar SAE #10 eļļu, kas noregulēta uz diviem (2) pilieniem minūtē.

Apkopes norādījumi

- Ievērojiet vietējos vides normatīvus par drošu apiešanos ar visām sastāvdaļām un to utilizāciju.
- Apkopes un remonta darbi jāveic kvalificētam personālam, izmantojot tikai oriģinālās rezerves daļas. Sazinieties ar ražotāju vai tuvāko pilnvaroto izplatītāju, lai saņemtu konsultāciju par tehnisko apkopi, vai, ja jums ir nepieciešamas rezerves daļas.

- Vienmēr pārliecinieties, ka iekārta ir atslēgta no enerģijas avota, lai izvairītos no nejaušas iedarbināšanas.
- Demontējiet un pārbaudiet instrumentu ik pēc 3 mēnešiem, ja instruments tiek lietots katru dienu. Noņemiet bojātas vai nodilušas daļas.
- Lai samazinātu dīkstāvi līdz minimumam, ieteicams izmantot šādu apkopes komplektu: **Pierēģulēšanas komplekts**

Utilizācija

- Utilizējot šo iekārtu, jāievēro attiecīgās valsts tiesību akti.
- Visu bojāto, smagi nolietoto vai nepareizi darbojošos ierīču **EKSPLUATĀCIJA IR JĀPĀRTRAUC**.

Vispārīgas drošības instrukcijas

ⓘ Papildu drošības informācija par pārnēsājamiem pneimatiskajiem instrumentiem:

- CAGI 2528 - B186.1, DROŠĪBAS KODEKSS PĀRNĒSĀJAMIEM PNEIMATISKAJIEM INSTRUMENTIEM, pieejams Global Engineering Documents vietnē <https://global.ihs.com/> vai zvanot uz +1 800 447-2273. Ja jums ir grūtības iegūt ANSI standartus, sazinieties ar ANSI caur mājas lapu <https://www.ansi.org/>

Gaisa padeve un savienojumu riski

- Saspiests gaiss var radīt smagas traumas.
- Kad instruments netiek lietots, pirms maināt piederumus, vai veiciet apkopes darbus, vienmēr noslēdziet gaisa padevi, iztukšojiet gaisa spiediena šļūteni un atvienojiet to no gaisa padeves.
- Nekad nevērsiet tiešu gaisa plūsmu savā vai citu virzienā.
- Šļūteņu nekontrolēta kustība var izraisīt smagas traumas. Vienmēr pārbaudiet, vai šļūtenes vai veidgabali nav bojāti vai vaļīgi.
- Pie instrumenta nedrīkst lietot ātri atvienojamas savienotājuznavas. Skatiet pareizas uzstādīšanas norādījumus.
- Izmantojot universālās savienotājuznavas ar vītņi, jāuzstāda aizturtaipas.
- Nepārsniedziet maksimālo atļauto gaisa spiedienu 6,3 bar / 90 psig vai, kā norādīts instrumenta datu plāksnītē.

Ripas aizsarga lietošana

- Lai mazinātu traumas risku, ko var izraisīt lūstošas slīpriņas daļas, vienmēr izmantojiet ieteikto ripas aizsargu.
- Ja aizsargs ir novērsis ripas sadrumstalošanos, to vairs nedrīkst lietot. Tas var būt bojāts.
- Izvietojiet aizsargu starp slīpriņu un operatoru.
- Lai pasargātu apkārtējos no lidojošiem slīpriņas fragmentiem vai slīpēšanas dzirkstelēm, lietojiet aizsargbarjeras.

Sapīšanās riski

- Nepieskarieties rotējošajai piedziņas vārpstai un abrazīvajam materiālam. Rotācija var turpināties vēl vairākas sekundes pēc droseles atlaišanas. Nenolieciet instrumentu, kamēr rotācija nav pilnīgi apstājusies.

- Ja vaļīgas drēbes, cimdi, rotaslietas, kaklarotas un mati netiek turēti atstātos no instrumenta un tā piederumiem, var tikt izraisīta žņaugšana, skalpēšana un/vai plēstas brūces.

Lidojošu objektu riski

- Piederuma abrazīvā materiāla vai darba detaļas plīsuma rezultātā var rasties lielā ātrumā lidojošas atlūzas. Slīpēšanas dzirksteles un pat mazas atlūzas var radīt acs traumu un izraisīt aklumu.
- Ja esat iesaistīts instrumenta vai tā uzlādes piederumu lietošanā, remontā vai apkopes darbos vai ja atrodaties tuvumā, kad tiek veikti šādi darbi, noteikti lietojiet pret triecieniem izturīgus acu un sejas aizsardzības līdzekļus.
- Pārbaudiet, vai citas personas darba zonā lieto atbilstošus acu un sejas aizsardzības līdzekļus.
- Slīpripa plīstot var izraisīt smagas traumas vai nāvi.
- Katru dienu mēriet pneimatiskās slīpmašīnas ātrumu ar tahometru, lai pārbaudītu, vai tas nepārsniedz uz slīpripas norādīto apgriezīgu skaitu minūtē.
- Nekad neizmantojiet slīpripu, uz kuras norādītais ātrums ir zemāks par pneimatiskās slīpmašīnas ātrumu.
- Ar komplektā ietvertu instrumentu palīdzību pārliecinieties, ka abrazīvais materiāls ir droši piestiprināts pie slīpmašīnas. Atlokos nedrīkst būt plaisas vai atskabargas, un tiem ir jābūt plakanām stiprināšanas virsmām. Vārpstas un vārpstu vītnes nedrīkst būt bojātas vai nodilušas.
- Sekojiet tam, lai apstrādājamo materiālu būtu kārtīgi nofiksēti.

Ar piederumiem saistītie riski

- Vienmēr pirms piederumu maiņas izslēdziet gaisa padevi, izlaidiet no šļūtenes gaisa spiedienu un atvienojiet instrumentu no gaisa padeves.
- Lietojiet tikai ieteiktos abrazīvo materiālu izmērus un veidus.
- Neizmantojiet robainas vai iekļāvušas ripas vai ripas, kas nomestas zemē.
- Lai novērstu traumas, ko var izraisīt bojātas ripas, ir nepieciešams pareizi uzstādīt slīpripu.
- Nepieļaujiet UNC un metrisku vītņu nesaderību.
- Slīpripām ir brīvi jāizvietojas uz ass, lai novērstu spriegumu pie cauruma. Neizmantojiet ieliktnus, lai uzstādītu slīpripas ar lieliem caurumiem.
- Lietojiet tikai tādas atlokus, kas slīpripas montāžai ir piegādāti kopā ar slīpmašīnu. Plakanas starplikas vai citi adapteri var izraisīt pārmērīgu ripas spriegojumu. Starp atlokiem un slīpripu vienmēr izmantojiet smagus papīra diskus.
- Ja komplektā ir iekļauti vairāki atloki, kas ir piemēroti dažādiem abrazīvā materiāla izmēriem un veidiem, vienmēr uzstādiet izmantotajam abrazīvajam materiālam atbilstošo(s) atloku(s).
- Uzstādot uzliktnus, konusus vai ieliktnus ar vītņu urbumiem, vārpstas gals nedrīkst saskarties ar cauruma apakšu, jo pretējā gadījumā tiks nospriegots abrazīvais materiāls.

- Pievelciet ripu uz vārpstas, lai izvairītos no slīpripas pēkšņas nokrišanas no vārpstas, kad pneimatiskā slīpmašīna tiek izslēgta.
- Pirms slīpēšanas pārbaudiet slīpripu, darbinot instrumentu ar pilnu jaudu. Lietojiet barjeru (piemēram, zem smaga darbgalda), lai apturētu iespējamās ripas daļu atlūzas. Ja vibrācija ir pārmērīga, nekavējoties apturiet ierīci.

Ekspluatācijas riski

- Operatoriem un apkopes personālam ir jāprot apieties ar instrumenta lielumu, svaru un tā jaudu.
- Turiet motoru pareizi: esiet gatavi izturēt normālu pret-darbību vai pēkšņas kustības — turiet abas rokas brīvas.
- Saskare ar piederumu, slīpēšanas dzirkstelēm vai darba virsmu var radīt grieztas brūces vai apdegumus. Izvairieties no saskares un lietojiet atbilstošus aizsarglīdzekļus, piem., cimdus, priekšautu un ķiveri.
- Izvairieties no ripas iestrēgšanas darba laikā. Atbalstiet darba detaļu abās pusēs no griezuma līnijas, lai ripa neiestrēgtu. Ja tā tomēr iestrēgst, atlaidiet droseli un atbrīvojiet ripu. Pirms darba turpināšanas pārbaudiet, vai ripa nav bojāta un vai ir pareizi nostiprināta.
- Malas slīpēšanai nekad neizmantojiet griešanas diskus.
- Slīpēšanas dzirksteles var aizdedzināt apģērbu un izraisīt smagus apdegumus. Nodrošiniet, lai dzirksteles nevarētu nokrist uz apģērba. Valkājiet nedegošu apģērbu un novietojiet tuvumā spaini ūdens.
- Lietojot instrumentu uz plastmasas un citiem dielektriskiem materiāliem, pastāv elektrostatiskās izlādes risks.
- Tas izraisa dzirksteļu izmešanu pretējā virzienā, kad tiek mainīts rotācijas virziens.
- Mainot rotācijas virzienu, tas rada reakcijas spēku, kas ir pretējs operatoram.

Atkārtotu kustību riski

- Izmantojot elektroinstrumentu, lai veiktu ar darbu saistītas aktivitātes, operators var izjust diskomfortu plaukstās, rokās, plecos, kaklā vai citās ķermeņa daļās.
- Ieņemiet ērtu pozu, saglabājiet drošu atbalstu ar kājām un izvairieties no neērtām nelīdzsvarotām pozām. Pozas maiņa ilgstošu darbu laikā var palīdzēt izvairīties no diskomforta un noguruma.
- Neignorējiet tādas simptomus kā pastāvīgs vai regulārs diskomforts, sāpes, pulsēšana, smeldze, dzīkstēšana, tirpums, dedzināšanas sajūta vai stīvums. Pārtrauciet instrumenta izmantošanu, paziņojiet par to darba devējam un konsultējieties ar ārstu.

Trokšņa un vibrāciju riski

- Augsts skaņas līmenis var izraisīt neatgriezenisku dzirdes zudumu un citas problēmas, piemēram, trokšņus ausīs. Izmantojiet piemērotus ausu aizsardzības līdzekļus, kā to nosaka jūsu darba devējs vai darba drošības un veselības aizsardzības noteikumi.
- Vibrāciju iedarbība var radīt paliekošus bojājumus nerviem un roku un plaukstu asinsritei. Valkājiet siltas drēbes un turiet plaukstu siltas un sausas. Konstatējot nejutīgumu, tirpšanu, sāpes vai ādas bālumu, pārtrauciet instrumenta izmantošanu, paziņojiet par to darba devējam un konsultējieties ar ārstu.

- Turiet instrumentu vieglā, bet drošā satvērienā, jo parasti vibrācijas riski ir lielāki, kad satvēriens ir ciešs. Kur iespējams, balstiet instrumenta svaru ar balansieri.
- Lai izvairītos no nevajadzīga trokšņa un vibrāciju līmeņa pieauguma:
 - darbiniet un apkopiet instrumentu un izvēlieties, apkopiet un nomainiet piederumus un ekspluatācijas materiālus saskaņā ar instrukciju rokasgrāmatu;
 - Izmantojiet slāpējošos materiālus, lai neļautu materiālam “zvanīt”.

Darba vietas riski

- Slīdēšana/aizķeršanās/nokrišana ir viens no galvenajiem smagu traumu vai nāves cēloņiem. Uzmanieties no šļūtenes likumiem, kas var būt atstāti uz darba virsmas vai grīdas.
- Izvairieties no putekļu vai dūmu ieelpošanas vai darba ar gružiem, kas var kaitēt veselībai (piemēram, kaitēt grūtniecībai, izraisīt vēzi, astmu un/vai dermatītu). Strādājot ar materiāliem, kas izplata gaisā daļiņas, lietojiet putekļu ekstrakcijas un elpošanas aizsarglīdzekļus.
- Daži putekļi, kas rodas pulēšanas, zāģēšanas, slīpēšanas, urbšanas un citu būvdarbu rezultātā satur ķīmiskas vielas, kas Kalifornijas štatam zināmas, kā vēža, iedzimtu defektu un citu reproduktīvu kaitējumu izraisītājas. Tālāk doti daži piemēri:
 - svins no svinu saturošām krāsām;
 - kristāliskā silīcija ķieģeļi, cements un citi mūrēšanas produkti;
 - arsēns un hroms no ķīmiski apstrādātās gumijas.
 Šo iedarbību risks atšķiras atkarībā no tā, cik bieži jūs darāt šo darbu. Lai ierobežotu šo ķīmisko vielu iedarbību, jāstrādā labi vēdināmā vietā, lietojot apstiprinātu aizsargapriekojumu, piemēram, putekļu maskas, kas ir īpaši veidotas mikroskopisku daļiņu aizturēšanai.
- Ievērojiet piesardzību, strādājot svešā darba vidē. Var būt iespējami slēptie riski, piemēram, elektrība vai citas iekšējās komunikācijas.
- Putekļi un tvaiki, kas rodas no pulēšanas vai slīpēšanas, var izraisīt iespējami sprādzienbīstamu vidi. Lietojiet putekļu savākšanas vai apslāpēšanas sistēmu, kas ir piemērota apstrādājamajam materiālam.
- Šis motors nav paredzēts izmantošanai potenciāli eksplozīvā atmosfērā un nav izolēts no nonākšanas kontaktā ar elektrisko strāvu.

Noderīga informācija

Izcelsmes valsts

Taiwan

Vietne

Informāciju par mūsu produktiem, piederumiem, rezerves daļām un publicētajiem materiāliem var atrast Rodcraft tīmekļa vietnē.

Lūdzu, apmeklējiet: www.rodcraft.com.

Drošības datu lapa

Drošības datu lapās aprakstīti Rodcraft pārdotie ķīmiskie produkti.

Lai iegūtu plašāku informāciju, lūdzu, apmeklējiet Rodcraft tīmekļa vietni qr.cp.com/sds.

Autortiesības

© Autortiesības 2023, Desoutter GmbH, Edmund-Seng-Str. 3-5, 63477 Maintal, Germany

Visas tiesības paturētas. Satura vai tā daļas neatļauta izmantošana vai kopēšana ir aizliegta. It sevišķi tas attiecas uz preču zīmēm, modeļu nosaukumiem, daļu numuriem un rasējumiem. Izmantojiet tikai atļautas daļas. Bojājumus vai darbības traucējumus, kurus izraisījusi neatļautu daļu lietošana, nesedz garantija vai ražotāja atbildība par produktu.

声明

EU 符合性声明

我们 (Desoutter GmbH, Edmund-Seng-Str. 3-5, 63477 Maintal, Germany) 全权声明, 本产品 (名称、型号和序列号, 请见首页) 符合以下指令:



2006/42/EC (17/05/2006)

应用的协调标准:

EN ISO 11148-7 :2012

政府机构可索取相关技术信息:

Pascal Roussy, R&D Manager, Ets Georges Renault, 38 rue Bobby Sands, BP10273 44818 Saint Herblain, France

Saint-Herblain, 2023/01/09

Pascal ROUSSY

签名

噪音与振声明

- 声压级 90 dB(A), 不确定性 3 dB(A), 符合 EN ISO 15744。
- 声功率级 101 dB(A), 不确定性 3 dB(A), 符合 EN ISO 15744。
- 总振动值 4.33 m/s²、不确定性 1.1 m/s²、符合 ISO-28927-4。

这些声明值均根据所述标准通过实验室型式试验得出, 适用于与采用相同标准试验的其他工具之声明值进行比较。震动发射水平可以用于进行暴露初步评估。此类声明值不适合用于风险评估, 在个别作业场所测得的数值可能会更高。个别用户经受的实际暴露值以及危害风险可能因人而异, 具体视该用户的作业方式、工件及工作站设计、暴露时间以及其身体状况而定。

Desoutter GmbH 郑重声明: 对于不受其控制的工作场所状况下进行的单独风险评估, 如使用声明值而非实际暴露值, 则 Desoutter 对其后果不负任何责任。

若未经充分处理就使用本工具, 可能会引起手-臂振动症状。有关预防手臂振动的 EU 指南, 请访问 <http://www.pneurop.eu/index.php> 并选择“工具”-“法规”进行查看。

我们建议制定一个健康监督方案，以尽早检测出可能与振动接触相关的早期症状，从而对管理程序进行修改，避免今后造成损害。

- ❗ 如果本设备适合于拧紧机系统：所提供的噪声排放信息可供机器装配者参考。整套机器的噪声和振动发射数据应在机器的指导手册中提供。

有关 REACH 第 33 条的信息

欧洲法规 (EU) No. 1907/2006 化学品的注册、评估、授权和限制 (REACH) 定义了与供应链中通信相关的要求。信息要求也适用于含有所谓高度关注物质 (“候选列表”) 的产品。2018 年 6 月 27 日，铅金属 (CAS 编号 7439-92-1) 被纳入候选列表。

根据上述要求，特此通知您产品中的某些机械部件可能含有铅金属。这符合现行的物质限制法规，并基于 RoHS 指令 (2011/65/EU) 中的合法豁免。在正常使用过程中，铅金属不会从产品中泄漏或突变，并且整个产品中的铅金属浓度远低于适用的阈值限制。请考虑当地对产品寿命终止时铅处置的要求。

区域性要求

⚠ 警告

该产品可能会使您暴露于化学物质 (包括铅)，加利福尼亚州已明确铅可导致癌症和先天缺陷或其他生殖危害。更多信息请访问

<https://www.p65warnings.ca.gov/>

安全

切勿丢弃 – 请交给使用者

⚠ 警告 阅读随本电动工具提供的所有安全警告、说明、图解和规定。

不遵守下列全部说明可能导致电击、火灾和/或严重的伤害。

保存所有警告和说明书以备查阅。

⚠ 警告 安装、操作以及维护过程中必须始终遵守当地的安全法规。

使用声明

- 仅供专业使用。
- 此产品及其附件不得以任何形式进行改造。
- 如果此产品已损坏，则不得使用。
- 如果产品上的产品数据或危险警示牌不再清晰可读或已脱落，请立即更换。
- 该产品必须只能由具有相关资质的人员在工业环境中安装、操作和维护。

预期用途

本产品旨在使用磨削件打磨材料。不得用于其它用途。

产品特定说明

操作

气源要求

1. 向工具供应最大压力为 90 psi (6.3 bar) 的清洁干燥空气。较高的压力会大大缩短工具寿命。
2. 使用方案 3 所示的管道、软管和配件尺寸将工具连接到空气管路。

安装 / 操作

1. 拧松安全螺钉，将切割砂轮安装在两个法兰之间，拧紧安全螺钉，确保切割砂轮正确固定在工具上。
2. 按方案 3 所示连接工具。
3. 拉起安全杆 (2) 然后推入节气门扳杆 (1)，即可启动工具。通过增加节气门扳杆 (1) 上的压力来提高机器速度。参见方案 2。
4. 松开油门杆 (1)，使工具停止工作 方案 1。

转塔位置

参见方案 4

1. 停止工具。
2. 向前推锁紧套筒 (2)。
3. 将工具头的位置改为朝上或朝下，或返回正常位置。参见方案 1。
4. 松开锁紧套筒 (4)。锁紧套筒返回其原始位置。参见方案 1

⚠ 警告

- ▶ 如果工具头未锁定，请不要启动工具。
- ▶ 操作挠性工具头时，手指勿接近机械装置，以免受伤。
- ▶ 每次调整挠性工具头时，确保抓紧机械装置边缘。不注意的时候，手指可能会被机械装置夹住。

更改旋转方向

参见方案 5

1. 停止工具。
2. 将旋钮 (1) 转到 'F' 或 'R'，分别用于正向和反向旋转。
3. 再次启动工具。

作业完毕

⚠ 警告 停止时间可能会超过 5 秒。

- ▶ 放下工具前，确保其关闭并且已完全停止。
- ▶ 停止时间取决于所使用的磨粒。

小心放下工具，确保工具不会自己/自行启动。

维护和保养

检验

使用空气管路润滑器加入 SAE #10 机油进行润滑，调整为每分钟两 (2) 滴。

维护说明

- 遵循本国/地区的环境法规，安全处理和处置所有部件。
- 必须由合格人员使用原装备件进行维护和修理工作。如果需要关于技术维修的建议或者需要备件，请与制造商或最近的授权经销商联系。
- 务必确保机器断开与能源的连接，以免意外运行。
- 如果工具每天都使用，请每 3 个月拆下并检查工具一次。更换损坏或磨损的部件。
- 为了最大程度减少停工时间，建议使用以下维修套件：**调试套件**

处置

- 在处理本设备时，必须遵循各自国家的立法。
- 所有受损、严重磨损或工作异常的器件均**不得继续投入使用**。

常规安全说明**① 有关便携式气动工具的其他安全信息：**

- CAGI 2528 - B186.1，便携式气动工具安全规范，可从 <https://global.ihs.com/> 的“全球工程文件”上或者致电 +1 800 447-2273 获取该文件。对于获取 ANSI 标准有任何疑问，请访问 <https://www.ansi.org/> 与 ANSI 联系。

空气供给和连接危险

- 压缩空气可能造成严重伤害。
- 在更换附件或者进行维修之前，若不使用工具，务必始终关闭气源、释放管中气压并断开工具与气源的连接。
- 任何时候不得将压缩空气对准自己或他人。
- 甩动的软管可造成严重的伤害。请务必检查软管和管件是否损坏或松动。
- 工具尾端不要直接使用快速接头。请参阅说明进行正确设置。
- 使用万向联轴节的时候一定要安装防松销钉。
- 不得超过最大空气压力 6.3 bar / 90 psig，也不得超过工具铭牌上注明的压力值。

护轮罩的使用

- 始终使用建议的护轮罩来降低破裂的砂轮部件对身体造成伤害的风险。
- 如护轮罩已受过砂轮断裂的冲击，请不要继续使用。这时的护轮罩有可能已破损。
- 将护轮罩放置在砂轮与操作人员之间。
- 设置屏障，以避免他人受到砂轮碎片和磨削火花的伤害。

缠绕危险

- 不要接触旋转的驱动轴和磨削件。松开节流阀之后，可能会继续旋转数秒。在旋转停止之前，不得放下工具。
- 操作工具或配件时不得穿着宽松的衣服、戴手套、佩戴首饰、项链，并应整理好头发，否则可能发生窒息、撕脱头皮和/或划伤。

抛射物危险

- 配件、砂轮或工件故障可能产生高速弹射物。火花以及甚至很小的抛射物都有可能对眼睛造成伤害并导致失明。
- 进行工具的操作、修理或维护工作或者更换工具配件时，务必佩戴耐冲击的眼部和面部护具。
- 确保所有人都佩戴眼睛和面部防护装置
- 如果砂轮突然爆裂，可能导致严重伤亡。
- 每天用转速计测量气动研磨机转速，以确定其转速没有超过砂轮上标明的 RPM（每分钟转数）值。
- 不要使用标称速度低于气动研磨机转速的砂轮。
- 借助提供的工具，确保砂轮牢固地夹在研磨机上。法兰必须无毛刺和裂纹，并且具有平坦的夹持面。不得损坏或磨损轮轴和轮轴螺纹。
- 确保工件牢固固定。

附件存在的危险

- 在更换零件时，务必始终关闭气源、释放管中气压并断开工具与气源的连接。
- 仅使用推荐尺寸和类型的打磨件。
- 不要使用有缺口或破裂或者可能曾从高处掉落的砂轮。
- 务必正确装配砂轮，以防砂轮破裂对人身造成伤害。
- 确保 UNC 与公制螺纹相符合。
- 砂轮应与轮轴自由配合，以免在砂轮孔处产生应力。不要使用变径衬套安装大孔砂轮。
- 只可使用与本砂轮配套提供的法兰来装配砂轮。平垫圈或其它接头可能会对砂轮形成过度应力。请始终在法兰与砂轮之间使用厚纸吸墨盘。
- 如果提供多个法兰来安装不同尺寸和类型的磨削件，务必为正在使用的磨削件安装正确的法兰。
- 安装杯形件、锥面或带螺纹孔的旋塞时，轮轴端不得接触孔底，否则会向磨削件施加应力。
- 将砂轮拧紧固定在轮轴上，以防关闭气动研磨机时砂轮甩出。
- 在研磨前，通过全速运行工具来测试砂轮。务必设置屏障（例如安放在重型工作台下方）来阻挡任何可能破裂的砂轮部件。如果振动过大，请立即停止工作。

操作危险

- 操作人员和维护人员必须有足够的体力掌握体大沉重的动力工具。
- 正确握住工具：准备好应对可能出现的正常或突然移动 - 双手都要做好准备。
- 如果接触配件、磨削火花或工作表面，您可能会被割伤或灼伤。避免接触并穿戴保护装置，例如手套、围裙和面罩。
- 切割时避免砂轮卡死。在工件切割线的两侧作支撑以防砂轮卡住。如果砂轮卡死，释放节气门使砂轮恢复自由转动。继续工作前请检查砂轮是否完好无损并得到正确固定。
- 不要将切割用砂轮用于侧研磨。
- 磨削火花可能会点燃衣物，造成严重灼伤。确保火花没有落在衣物上。穿阻燃衣物并在附近准备一桶水。
- 如果工具在塑料和其他非导电材料上使用，存在静电放电的危险。

- 改变旋转方向时，会导致火花沿相反方向喷出。
- 改变旋转方向时，会对操作员产生一个相反的反作用力。

重复性动作的危害

- 使用电动工具执行工作相关操作时，操作人员的双手、手臂、肩膀、脖子或身体其他部位可能会感到不适。
- 采用舒适的姿势，同时又能保持站稳，避免采用别扭或容易导致身体失去平衡的姿势。在进行长时间任务时，改变姿势有助于避免出现不适或疲劳。
- 不要忽视持续或断断续续的不适、疼痛、搏动、酸痛、麻感、麻木、灼烧感或僵硬等症状。如有此类症状，请停止使用工具，告知雇主并咨询医师。

噪音和震动危害

- 极高的声音强度可能会导致永久性的听力受损，以及诸如耳鸣的其他问题。使用您的用人单位或职业健康和法规推荐的听力保护用具。
- 暴露在震动环境中会对双手和手臂的神经和供血造成致残伤害。请穿着保暖衣物并保持双手温暖干燥。如果发现手脚麻木、刺痛、疼痛或皮肤发白，应该停止使用本工具，告知雇主并征求医生意见。
- 以安全的方式轻握工具，因为震动带来的风险一般来说在握力更大时会更高。如果可能，使用平衡器支撑工具的重量。
- 要避免噪声及振动水平无谓增加：
 - 按照本说明手册操作和维护工具，以及选择、维护和更换附件及消耗品；
 - 使用消音材料防止工件“发出声响”；

工作场所的危险

- 滑倒/绊倒/跌倒是造成严重伤害或死亡的一个主要原因。要注意地面上或者工件台面上多余的管子。
- 避免在工作过程中吸入粉尘或烟雾，或触碰碎屑，这些情况可能引起健康问题（例如，癌症、出生缺陷、哮喘和/或皮炎）。在处理可产生尘埃颗粒的材料时，请使用吸尘装置并戴上呼吸防护设备。
- 砂磨、锯切、打磨、钻孔等生产活动所产生的某些粉尘可能含有加州当局已知的可能导致癌症、先天性缺陷或其他生殖伤害的化学物品。例如：
 - 铅基涂料中的铅
 - 结晶硅砖和水泥以及其他泥工产品
 - 经过化学处理的橡胶中含有的砷和铬

您暴露于这些化学物质的风险因您做该类工作的频率而异。为了降低您暴露于这些化学物品的风险，请注意下列事项：应该在通风良好的区域内工作，并使用经过核准的安全设备，比如专用的可以滤掉微粒的防尘面罩。

- 在不熟悉的环境中，请谨慎操作。因为可能存在隐藏的危險，比如电线或其他公用设施线路。
- 喷砂或打磨操作中产生的灰尘和烟尘可能造成潜在的爆炸性环境。请始终使用除尘系统或与被处理材料相配的抑爆系统。
- 本工具不适宜在有潜在爆炸危險的环境中使用，并且其与电源亦不绝缘。

有用的信息

原产地

Taiwan

网站

有关我们的产品、配件、备件和已发布事项的信息，请访问 Rodcraft 网站。

请访问：www.rodcraft.com。

安全数据表

安全数据表描述 Rodcraft 销售的化学产品。

有关更多信息，请访问 Rodcraft 网站 qr.cp.com/sds。

版权所有

© 版权所有 2023, Desoutter GmbH, Edmund-Seng-Str. 3-5, 63477 Maintal, Germany

保留所有权限。禁止对此内容或其部分内容进行任何未经授权的使用或复制。本规定专门适用于商标、型号名称、部件编号和图纸。请仅使用经授权的部件。保修或产品责任不包括任何由于使用未经授权的部件而造成的损坏或故障。

宣言

EU 適合宣言

弊社 Desoutter GmbH, Edmund-Seng-Str. 3-5, 63477 Maintal, Germany は、弊社製品(名称、型式、およびシリアル番号に関してはフロントページ参照)が次の指令に準拠していることを、当社単独責任の下で宣言します：

2006/42/EC (17/05/2006)

適用する整合規格：

EN ISO 11148-7 :2012

当局は、以下から関連する技術情報を要求できます。

Pascal Roussy, R&D Manager, Ets Georges Renault, 38 rue Bobby Sands, BP10273 44818 Saint Herblain, France

Saint-Herblain, 2023/01/09

Pascal ROUSSY

署名



騒音と振動に関する宣言

- 音圧レベル 90dB (A)、不確かさ 3 dB (A)、EN ISO 15744 に準拠。
- 音響出力レベル 101 dB(A)、不確かさ 3 dB(A)、EN ISO 15744 に準拠。
- 振動合計値 4.33 m/s² 不確かさ、1.1 m/s²、ISO-28927-4 に準拠。

これらの宣言値は、規定の基準に従って行われた実験室環境でのテストにより得られたもので、同じ基準に従ってテストされた他のツールの宣言値との比較に適します。放出振動レベルは、曝露の先行評価に使用で

きます。これらの宣言値は、リスク評価における使用には適しておらず、個々の作業現場における測定値が宣言値を上回る場合もあり得ます。実際の暴露値と個々の使用者が被る被害は様々であり、使用者の作業方法、作業対象物、作業環境、および使用者の暴露時間と健康状態に依存します。

当社、Desoutter GmbH が制御できない作業状況における個別のリスク評価において、作業場所で実際の暴露値を考慮した値の代わりに宣言値を使用したことにより生じた結果について、いかなる責任も負わないものとしします。

本ツールの利用が適切に管理されていない場合、手腕振動障害を引き起こすことがあります。手腕振動を管理するためのEUのガイドは、<http://www.pneurop.eu/index.php> にアクセスし、「ツール」、次に「法制」を選択すれば見ることができます。

振動暴露によると思われる初期症状を発見するために、定期的な健康診断の実施が望まれます。これにより、将来の機能障害を防ぐための管理手法を見直すことが可能となります。

- ① 本装置を固定して使用する場合、放出騒音は機械組立員への参考として表示してあります。完成機械用の放出騒音および放出振動のデータは機械の取扱説明書に記載されています。

REACH第33条に関する情報

化学物質の登録、評価、認可および制限に関する欧州 (EU) 規制第1907/2006号 (REACH) は、とりわけサプライチェーンにおけるコミュニケーションに関する要件を定義しています。情報要件は、いわゆる「高懸念物質 (SVHC)」(「候補リスト」) を含む製品にも適用されます。2018年6月27日に、鉛金属 (CAS番号 7439-92-1) が候補リストに追加されました。

本書は、製品の特定の機械部品が鉛金属を含む可能性があることを、上記に従ってお知らせすることを目的としています。これは現行の化学物質規制法に準拠し、このため、RoHS指令 (2011/65/EU) の合法的免除に基づいています。通常的使用中に鉛金属が製品から漏れたり、変化することはありません。また、製品全体の中の鉛金属の濃度は、該当する限界値をはるかに下回ります。製品の寿命終了時における鉛の処理に関する地域の要件をご考慮ください。

地域の要件

⚠ 警告

本製品によって、カリフォルニア州において癌や出生異常、その他生殖能への悪影響を引き起こすことが知られている鉛などの化学物質に晒されることがあります。詳細情報については <https://www.p65warnings.ca.gov/> をご覧ください。

<https://www.p65warnings.ca.gov/>

安全

捨てないでください - ユーザに渡してください

- ⚠ **警告** このパワーツールに付属するすべての安全警告、指示、図、仕様をお読みください。

以下に列記したすべての指示に従わない場合、感電、火災および/あるいは重傷に至る危険性があります。

今後の参考のために、すべての警告と注意事項を保管しておいてください。

- ⚠ **警告** 設置、運転、およびメンテナンスに関連する、地域で制定された安全基準は常に順守されなければなりません。

使用に関するステートメント

- 業務用専用です。
- 本製品とその付属品は絶対に改造しないでください。
- 損傷している場合は本製品を使用しないでください。
- 本製品のツールデータ、危険性の警告サインの読み取りができなくなったり、外れている場合、即座に交換してください。
- 本製品は、工業的環境において有資格の担当者のみが設置、操作、修理するようにしてください。

使用目的

本製品は、研磨材を使う材料を取り外すために設計されています。その他の用途での使用は許可されていません。

製品の詳細説明書

操作

空気供給の要件

1. 最大圧力 90 psi (6.3 バール) の清潔で乾燥した空気をツールに供給します。それ以上の圧力を使用すると、工具寿命が大幅に短くなります。
2. スキーマ3 に示されている寸法のパイプ、ホース、継手を使用して、ツールをエアラインに接続します。

設置/操作

1. 安全ネジを緩め、2つのフランジの間にカッティングディスクを取り付け、安全ネジを締めます。カッティングディスクがツールに正しく固定されていることを確認します。
2. スキーマ3 に示す通りにツールを接続します。
3. ツールを起動するには、安全レバー (2) を引き、スロットルレバー (1) を押します。スロットルレバー (1) の圧力を上げて機械の速度を上げます。スキーマ2 を参照してください。
4. スロットルレバー (1) を離し、工具を停止させるスキーマ1 を参照してください。

ヘッド位置を変える

スキーマ4 を参照してください。

1. ツールを停止します。

2. ロックスリーブ (2) を前方に押します。
3. ツールヘッドの位置を上下に変更するか (3)、通常の位置に戻します。スキーマ I を参照してください。
4. ロックスリーブ (4) のロックを解除します。ロックスリーブが元の位置に戻ります。スキーマ I を参照してください。

⚠ 警告

- ▶ ツールヘッドがロックされていない場合は、ツールを起動しないでください。
- ▶ フレックスヘッドを操作する際は、指をメカニズムから離して、指に怪我をしないようにしてください。
- ▶ フレックスヘッドを調整する際は、必ずメカニズムの端をつかんでください。注意を怠るとメカニズムに指が挟み込まれる可能性があります。

回転方向の変更

スキーマ 5 を参照してください。

1. ツールを停止します。
2. ノブ (1) を「F」に回すと正転、「R」に回すと逆回転します。
3. ツールを再度始動させます。

作業後

⚠ 警告 停止時間は5秒を超えることがあります。

- ▶ 横に置く際にはツールの電源が切れていることを必ず確認し、完全に止まっていることを確認してください。
- ▶ 停止時間は研磨材の使用によって異なります。

ツールを慎重に置いて、ツールが自動的に始動しないようにします。

サービスとメンテナンス

潤滑

エアラインに SAE #10 オイルのラインオイルラーを使用し、1分当たり2滴に調節してください。

メンテナンスに関する注意事項

- すべてのコンポーネントの安全な取り扱いと廃棄については、現地の環境規制に従ってください。
- メンテナンスおよび修理作業は、必ず元のスペアパーツを使用して、資格を持った担当者が行う必要があります。技術的サービスに関するアドバイスが必要な場合やスペアパーツが必要な場合は、メーカーまたはお近くの販売店までお問い合わせください。
- 偶発的な作動を回避するために、マシンが電源から切断されていることを必ず確認してください。
- ツールを毎日使用している場合は、3カ月毎にツールを分解して点検してください。破損または磨耗した部品は交換してください。
- ダウンタイムを最小限に抑えるために、次のサービスキットをお勧めします：チューンアップキット

廃棄

- この機器を廃棄する場合は、各国の法律に従う必要があります。
- 損傷した、ひどく磨耗した、または不適切に機能するデバイスはすべて、**運転しないようにしなければなりません。**

一般的な安全に関する注意事項

① ポータブルエアツールに関する追加安全情報:

- CAGI 2528 - B186.1、「ポータブルエアツールの安全規定 (SAFETY CODE FOR PORTABLE AIR TOOLS)」は Global Engineering Documents (<https://global.ihs.com/>) から入手いただくか、+1 800 447-2273 までお電話ください。ANSI (米国規格協会) 規格が入手できない場合は、<http://www.ansi.org/> から ANSI までお問い合わせください。

給気と接続の危険性

- 加圧された空気は重傷を引き起こす可能性があります。
- 使用していないとき、アクセサリを変更する前、または修理を行うときは、常に空気供給を遮断し、ホースから空気圧を抜いて、空気供給からツールを外してください。
- エアを決して自分または他の人に向けないでください。
- ホースが暴れると重傷を引き起こす可能性があります。ホースや継手が損傷しているか、緩んでいないかを常に確認してください。
- ツールでクイックディスクコネクタカップリングを使用しないでください。正しい据え付け方法については、手順を参照してください。
- ユニバーサルツイストカップリングを使用する場合は常に、ロックピンを取り付ける必要があります。
- 6.3 bar/90 psig またはツールの銘板に書かれている最高空気圧を超えないようにしてください。

ホイールガードの使い方

- 破損した砥石部品による傷害の危険性を低減するために、推奨するホイールガードを必ずご使用ください。
- ホイールが破損したときに使用したガードは、引き続き使用しないでください。損傷を受けている可能性があります。
- ガードは、砥石とオペレーターの間配置してください。
- ホイールの破片と研磨の際のスパークから保護するために障壁を設けてください。

絡まりの危険性

- 回転中のドライブスピンドルと研磨材には近づかないでください。スロットルを解除後数秒間は継続して回転する可能性があります。回転が停止するまでは、ツールを下に置かないでください。
- ゆったりした衣服、手袋、摩耗、ネックレス、頭髮などを工作機械および付属機器に近づけないようにしないと、機械詰まり、頭皮の引き込み、裂傷などを引き起こす原因になります。

飛散物の危険性

- アクセサリー、研磨材、ピースの故障により、高速飛散物が発生する可能性があります。研磨の際のスパークや小さな飛散物であっても目を傷つけて失明の原因となります。
- ツールの操作、修理、保守の際、あるいはツールの付属品を交換する際、必ず目と顔を守る耐衝撃性防具を着用してください。
- 周囲のすべての者が、耐衝撃性の目と顔の保護具を着用していることを確認してください。
- 破裂した砥石は、極めて重大な傷害や死亡の原因となる可能性があります。
- エアグラインダーの速度をタコメーターで測定して、研削砥石に表示された回転速度 RRM を超えていないことを確認してください。
- エアグラインダーよりも低速用としてマーキングされている研削砥石は絶対に使用しないでください。
- 付属のツールを使用して、研磨材がグラインダーにしっかりと固定されていることを確認します。フランジにはバリや亀裂がなく、平坦なクランプ面であればなりません。スピンドルとスピンドルのネジ山に破損や磨耗があってはなりません。
- ワークピースがしっかりと固定されているか確認してください。

付属品の危険性

- アクセサリーを交換するときは、常に空気供給を止め、このホースの空気圧を開放し、エア供給からこのツールを切断してください。
- 研磨部のサイズとタイプは推奨されたものだけをお使いください。
- かけたりヒビの入ったホイールや落としたことのあるホイールは使用しないでください。
- ホイールの破損に起因する傷害防止には、正しく研削砥石を取り付けることが不可欠です。
- UNCネジとメートルネジは適合しないことにご留意ください。
- 孔に応力がかからないように、砥石はスピンドルに無理なく嵌合しなければなりません。孔の大きな砥石に嵌合させるために、サイズ調整用プッシュを使用しないでください。
- 砥石の装着用としてグラインダーに付属のフランジのみを使用してください。平座金またはその他のアダプタを使うと、ホイールに過剰な応力がかかる可能性があります。フランジと砥石の間には常に厚手の吸取紙ディスクを使用してください。
- 異なるサイズや種類の研磨材に適合するよう複数のフランジが供給される場合、使用している研磨材に対して正しいフランジを必ず使ってください。
- ネジ穴のあるカップ、コーン、プラグを装着する場合、スピンドル端部から研磨材に応力がかかるため、穴の底部にスピンドル端部が接触しないようにしてください。
- エアグラインダーのスイッチをオフにしたときに外れて飛ばないように、ホイールをスピンドルにしっかりと締め付けてください。

- 研削前にツールをフルスロットルで作動させて、研削ホイールをテストします。破損したホイールの一部が飛び散るのを阻止するため、障壁を（例えば、重い作業台の下に）必ず使用してください。過度の振動が生じた場合は、直ちに操作を停止してください。

操作に伴う危険性

- 作業者と保守メンテナンス要員には、このツールの大きさ、重量および動力の物理的な取り扱いが可能な身体能力が必要です。
- ツールを正しく保持してください。通常または突然の動きに対処するよう準備しておいてください。両手を使用できるようにしておいてください。
- 付属品、研磨の際のスパーク、または作業面に接触すると、切り傷や火傷を負う可能性があります。そのような接触を避け、手袋、エプロン、ヘルメットなどの防具を着用してください。
- 切断時にホイールがスタックしないように気をつけてください。ホイールが引っかかるのを防ぐために、切断するラインの両側でワークピースを支えてください。引っかかって動かなくなった場合は、スロットルを放してホイールを解放してください。作業を続ける前に、ホイールに破損がなく正しく固定されているか点検してください。
- 側面研削には絶対に切断ホイールを使用しないでください。
- 研磨の際のスパークによって衣服に火が付き、重度の火傷を引き起こす可能性があります。スパークが衣服に付着しないことを確認してください。防火服を着用し、近くに水の入ったバケツを用意してください。
- 樹脂や他の非導電性物質上でツールを使用すると、静電気放電の危険性があります。
- 回転方向を変えると、火花が反対方向に飛びます。
- 回転方向を変えると、オペレーターに逆の反力がかけられます。

繰り返し動作の危険性

- パワー ツールを使って作業に関連する動作を行う際に、手や腕、肩、首、その他の身体の部位に作業員が不快感をもつことがあります。
- 足元をしっかりと保ち、無理な姿勢やバランスを崩した姿勢を避けながら操作しやすい姿勢を取ってください。長時間の作業中に姿勢を変えることで、不快感や疲労を避けることができます。
- 持続的な不快感や繰り返しのある不快感、痛み、拍動、疼き、刺痛、麻痺、焼けるような感覚、固さといった兆候を無視しないでください。ツールの使用を中止し、雇用主に伝え、医師の診察を受けてください。

ノイズおよび振動障害

- 高サウンドレベルにより永久に聴力が失われたり、耳鳴りなどの問題が生じることがあります。ご自身の雇用者、または職業上の健康と安全のための規定で推奨される防音用耳栓を使用してください。
- 振動への暴露は神経を損傷し、手腕の血液供給を阻害する危険性があります。温かい衣服を着用し、手を暖かく乾燥した状態に保ってください。皮膚のし

びれ、刺痛、痛み、または白化が発生した場合は、このツールの使用を中止し、雇用主に伝えて医師に相談してください。

- 握る力を強くすると振動の危険性が一般に高くなるため、ツールは軽く安全に握って保持してください。可能な限り、バランスでツールの重量を支えてください。
- 騒音および振動レベルの不必要な増加を防ぐには：
 - 本取扱説明書にしたがってツールを操作、保守し、アクセサリと消耗品を選択、保守、交換します。
 - 制振材を使用して、ワークピースの「うなり」を防ぎます。

作業場の危険性

- 滑り/つまずき/落下は、重傷または死亡事故の主な原因です。歩行面や作業場の床にたんで置かれたホースに気をつけてください。
- 作業の過程で出るホコリを吸い込んだり、破片に手で触れないでください。健康上有害となる可能性があります(癌、出生異常、喘息、皮膚炎など)。浮遊粒子の生じる物質を扱う作業では、集塵機を使用し、呼吸用保護具を装着してください。
- 動力を使った研磨、切断、研削、穴あけ、その他の建築作業で生じるホコリには、カリフォルニア州において、癌や出生異常その他生殖への危害を引き起こすことが知られている化学物質が含まれている場合があります。以下は、そうした化学物質の例です：
 - 鉛入りの塗料から出る鉛
 - 結晶シリカのレンガやセメントその他の築壁用製品
 - 化学処理したゴムに由来する砒素およびクロム
 こうしたものに曝されることによる危険性は、この様な作業をどれほど頻繁に行うかによって異なります。こうした化学物質への曝露を低減するには、十分な換気が行われている場所で作業し、微細粒子を除去する特殊設計の防塵マスク等の認可された安全機器を使って作業を行ってください。
- 慣れない環境で作業する場合は、細心の注意を払ってください。電気線やその他の配管配線など隠れた危険性が存在する可能性があります。
- サンディングまたはグラインディングにより発生する粉塵や煙は、爆発性環境を生む原因になることがあります。加工用材に合わせて、必ず集塵または抑制システムを使うようにしてください。
- 本ツールは、爆発の可能性のある雰囲気では使用しないでください。本ツールは絶縁されていません。

有用な情報

生産国

Taiwan

ウェブサイト

当社の製品、付属品、スペアパーツおよび公表事項に関する情報は、RodcraftのWebサイトにてご覧いただけます。

次をご覧ください：www.rodcraft.com.

安全データシート

安全データシートには、Rodcraftが販売する化学製品が記載されています。

詳細情報については、Rodcraftウェブサイト (qr.cp.com/sds) を参照してください。

著作権

© 著作権 2023, Desoutter GmbH, Edmund-Seng-Str. 3-5, 63477 Maintal, Germany

無断複写・複製・転載を禁ず。本書の内容の一部または全部を無断転載あるいは不正使用することは禁止されています。上記禁止行為は、特に商標、モデルの文書化、部品番号および図面に適用されます。認可済みの部品のみ使用してください。未認可の部品の使用によって引き起こされる一切の損傷または誤動作は、保証責任または製造物責任の対象とはなりません。

선언

EU 적합성 선언

Desoutter GmbH, Edmund-Seng-Str. 3-5, 63477 Maintal, Germany은(는) 제품(이름, 종류 및 일련번호 포함, 제1면 참조)이 다음 지침을 준수하고 있음을 당사의 전적인 책임 하에 선언합니다.

2006/42/EC (17/05/2006)

합의 표준 적용:

EN ISO 11148-7 :2012

관련 기술 정보는 관계 당국에서만 요청할 수 있음:

Pascal Roussy, R&D Manager, Ets Georges Renault, 38 rue Bobby Sands, BP10273 44818 Saint Herblain, France

Saint-Herblain, 2023/01/09

Pascal ROUSSY



서명

소음 및 진동 표시 선언

- 음압 레벨 90 dB(A), 불확실성 3 dB(A), EN ISO 15744.에 부합.
- 음압 레벨 101 dB(A), 불확실성 3 dB(A), EN ISO 15744.에 부합.
- 진동 총 값 4.33 m/s², 불확실성 1.1 m/s², ISO-28927-4에 부합

이러한 표시 값은 언급된 표준에 따라 실험실 유형 테스트에 의해 획득되었으며 동일한 표준에 따라 테스트한 다른 공구의 표시 값과 비교하기에 적합합니다. 진동 방출 수준은 노출에 대한 사전 평가를 위해 사용될 수 있습니다. 이러한 표시 값은 위험 평가에 사용하기에 적합하지

않으며 개별 작업장에서 측정된 값이 더 높을 수 있습니다. 실제 노출 값과 개별 사용자가 경험한 유해 위험 수준은 고유하며 사용자의 작업 방식, 작업 대상물, 작업대 설계뿐만 아니라 노출 시간 및 사용자의 신체적 조건에 따라 다릅니다.

Desoutter GmbH는 당사가 통제할 권한이 없는 작업장 상황에서 발생하는 개별 위험 평가로 실제 노출을 반영하는 값 대신 표시 값을 사용한 결과에 대해 책임을 지지 않습니다.

본 공구를 적절히 관리하면서 사용하지 않으면 손-팔 진동 증후군이 유발될 수 있습니다. 손-팔 진동 증후군 관리에 대한 EU 참고 자료는 <http://www.pneurop.eu/index.php>에 접속한 다음 '공구', '법규' 순으로 선택하면 확인할 수 있습니다.

당사는 소음 또는 진동 노출과의 관련 가능성이 있는 증상을 조기에 감지하는 건강 감시 프로그램을 권장하며, 이를 통해 관리 절차를 수정하여 향후 발생할 수 있는 장애를 사전에 차단할 수 있습니다.

- ❶ 이 장비는 고정 설비에 사용하도록 되어 있습니다. 소음 방출은 기계 설치업자의 참고 자료로 활용됩니다. 완성된 기계의 소음 및 진동 방출 데이터는 기계의 사용 설명서에 수록되어 있습니다.

REACH 33조에 관한 정보

등록, 평가, 허가 및 화학 물질 규제(REACH: Registration, Evaluation, Authorization and restriction of Chemicals)에 관한 유럽 규정 (EU) No. 1907/2006은 공급망에서 커뮤니케이션과 관련된 요구 사항을 정의합니다. 정보 요구 사항은 소위 매우 우려가 되는 물질(이하 “후보목록”)이 포함된 제품에도 적용됩니다. 2018년 6월 27일 납 금속(CAS no 7439-92-1)이 후보 목록에 추가되었습니다.

위의 내용에 의거하여 제품의 특정 기계 부품에 납 금속이 포함될 수 있음을 알려드립니다. 이는 현재의 물질 제한 법안에 적법하며 RoHS 지침(2011 / 65 / EU)의 합법적 면제에 근거합니다. 납 금속은 정상적인 사용 중에는 제품에서 누출되거나 변이가 되지 않으며, 완제품에서 납 금속의 농도는 적용 기준 한계보다 훨씬 낮습니다. 제품 폐기시 납의 폐기에 대한 현지 요구 사항을 고려하십시오.

지역 요구 사항

⚠ 경고

이 제품을 사용하면 캘리포니아 주에서 보고된 암 및 선천적 장애 또는 기타 출산 장애를 유발하는 납을 포함한 화학 물질에 노출될 수 있습니다. 자세한 정보는 <https://www.p65warnings.ca.gov/> 웹 사이트를 참조하십시오.

<https://www.p65warnings.ca.gov/>

안전

버리지 마십시오 - 사용자에게 주십시오

- ⚠ 경고 이 전동 공구와 함께 제공되는 모든 안전 경고, 지침, 그림 및 사양을 읽으십시오.

아래 나열된 지침을 모두 따르지 않으면 감전, 화재 및/또는 심각한 상해가 발생할 수 있습니다.

나중에 참조할 수 있도록 모든 경고와 지침을 보관하세요.

- ⚠ 경고 설치, 운영 및 유지보수에 대해 지역별로 지정된 안전 규칙은 언제나 지켜야 합니다.

용도 선언

- 전문 용도로만 사용하십시오.
- 이 제품과 그 부속품을 변형시켜서는 안 됩니다.
- 이 제품이 손상된 경우 사용하지 마십시오.
- 제품 데이터 또는 위험 경고 징후가 보이거나 확실한 경우, 기다리지 말고 즉시 교체하십시오.
- 이 제품은 산업용 조립 환경에서 자격을 갖춘 담당자만 설치, 작동 및 수리할 수 있습니다.

용도

이 제품은 연마재를 사용하여 물질을 제거하는 용도로 제작되었습니다. 다른 용도는 허용되지 않습니다.

제품별 설명

작동

공기 공급 장치 요구 사항

1. 공구에 깨끗하고 건조한 공기를 최대 압력 90 psig(6.3bar) 압력으로 공급합니다. 압력이 높을수록 공구 수명이 크게 줄어듭니다.
2. 스키마 3에 표시된 파이프, 호스 및 장착 크기를 사용하여 공구를 공기 라인에 연결해 주세요.

설치/작업

1. 안전 나사를 풀고, 두 플랜지 사이에 절단 디스크를 설치하고, 안전 나사를 조이고, 절단 디스크가 공구에 올바르게 고정되었는지 확인해 주세요.
2. 스키마 3과 같이 공구를 연결해 주세요.
3. 공구를 시동하려면 안전 레버(2)를 당기고 스톱 레버(1)을 누릅니다. 스톱 레버(1)에 가해지는 압력을 증가시켜 장비 속도를 높일 수 있습니다. 스키마 2 참조
4. 스톱 레버(1)에서 손을 떼어 공구를 정지시킵니다. 스키마 1 참조.

헤드 위치 돌리기

스키마 4 참조

1. 공구 정지를 정지합니다.
2. 잠금 슬리브(2)를 앞으로 밀니다.
3. 공구 헤드의 위치를 위 또는 아래(3)로 변경하거나 정상 위치로 돌립니다. 스키마 1 참조.
4. 잠금 슬리브(4)를 풀니다. 잠금 슬리브가 원래 위치로 돌아옵니다. 스키마 1 참조

⚠ 경고

- ▶ 공구 헤드가 잡기지 않은 경우 공구를 시동하지 마십시오.
- ▶ 플렉스 헤드를 작동할 때 장치에 손가락을 대지 않도록 하여 손가락 부상을 방지하십시오.
- ▶ 플렉스 헤드를 조정할 때마다 해당 메커니즘의 가장자리를 잡으십시오. 주의를 특별히 기울이지 않으면 해당 구조에 손가락이 걸릴 수 있습니다.

회전 방향 변경

스키마 5 참조

1. 공구 정지를 정지합니다.
2. 노브(1)를 'F' 또는 'R'로 돌리면 정방향 및 역방향 전환이 가능합니다.
3. 공구를 다시 시작합니다.

작업 종료 후

⚠ 경고 정지 시간은 5초 이상 소요될 수 있습니다.

- ▶ 공구를 내려놓기 전에 공구의 전원이 꺼져 완전히 정지된 상태가 되도록 하십시오.
- ▶ 정지 시간은 사용된 연마제에 따라 달라집니다.

공구가 저절로 또는 스스로 시작되지 않도록 주의해서 공구를 내려놓아주세요.

서비스 및 유지관리

윤활

에어 라인 윤활기를 분당 2방울로 조정된 SAE #10 오일과 함께 사용하십시오.

유지보수 지침

- 모든 구성품의 안전한 취급 및 폐기는 해당 국가의 환경 규정을 준수해야 합니다.
- 유지 관리 및 수리 작업은 정품 예비 부품을 사용하여 자격을 갖춘 기술자만 수행해야 합니다. 기술 서비스 또는 부품을 필요로 하면 제조사 또는 가까운 공인 대리점에 문의해 주세요.
- 실수로 작동되는 것을 방지하려면 항상 기계가 동력 원으로부터 분리되었는지 확인해 주세요.
- 공구를 매일 사용하는 경우 3개월마다 공구를 분해해서 검사해 주세요. 손상되거나 마모된 부품을 교체해 주세요.
- 가동 중지 시간을 최소로 유지하기 위해 다음 서비스 키트를 권장합니다. **튜닝 키트**

폐기

- 이 장비의 폐기할 경우 해당 국가의 관련 법류를 반드시 준수해야 합니다.
- 완전히 손상되고, 심하게 마모되었거나 제대로 작동하지 않는 장치는 반드시 작동을 멈추어야 합니다.

일반 안전 지침

① 휴대용 에어 공구에 관한 추가 안전 정보:

- CAGI 2528 - B186.1, 휴대용 에어 공구의 안전 코드는, <https://global.ih.com/>에서 글로벌 엔지니어링 문서를 찾아보시거나 전화 +1 800 447-2273로 문의해 주십시오. ANSI 표준의 취득에 어려움이 있으면, <https://www.ansi.org/>를 통해 ANSI에 연락하십시오.

공기 공급 및 연결의 위험

- 절대 공기를 자신이나 다른 사람에게 향하게 하지 마십시오.
- 사용하지 않거나, 부속품을 교체하거나 수리 시에는, 항상 공기 공급 장치를 닫은 다음 호스의 공기 압력을 제거하고 나서 공구를 공기 공급 장치로부터 분리해야 합니다.
- 절대로 공기가 자신이나 다른 사람을 향하도록 하지 마십시오.
- 공기를 뿜으며 움직이는 호스는 증상을 초래할 수 있습니다. 호스와 피팅이 느슨하거나 손상되지 않았는지 항상 점검해 주세요.
- 퀵 디스크넥트 커플링을 공구에 사용하지 마십시오. 올바른 설치에 대한 설명을 참조해 주세요.
- 범용 트윈스트 커플링의 사용시 반드시 잠금 핀을 설치해야 합니다.
- 최대 공기 압력인 6.3 bar/90 psig 혹은 공구 명판의 한도를 초과하지 마십시오.

휠 가드의 사용

- 항상 권장된 휠 가드를 사용하여, 부품에서 부서지는 연마용 휠 부품에 의한 상해의 위험을 줄이십시오.
- 가드가 휠의 파손을 견디더라도 계속 사용하지 마십시오. 손상되었을 수 있습니다.
- 연마용 휠과 작업자 사이에 가드를 배치하십시오.
- 연마용 휠 조각과 불꽃으로부터 사람을 보호해주는 장벽을 사용하십시오.

업힘 위험

- 회전하는 구동 스피들 및 연삭재로부터 거리를 유지하십시오. 스톱틀을 놓은 후에도 몇 초 동안 회전이 계속될 수 있습니다. 회전이 멈출 때까지 공구를 내려놓지 마십시오.
- 느슨한 의복, 장갑, 보석류, 넥타이 종류 및 머리카락을 공구 및 부속품으로부터 멀리하지 않으면 질식, 두피 손상 및/또는 열상이 발생할 수 있습니다.

발사체의 위험

- 부속품, 연삭재 또는 작업물을 제대로 사용하지 못하면 고속 투사물이 생성될 수 있습니다. 연마 시 발생하는 불꽃 뿐만 아니라 작은 투사물이라도 눈을 상하게 하거나 실명을 초래할 수 있습니다.
- 작업 중, 공구의 수리나 유지보수 시 혹은 공구의 부속품 교체 시, 항상 내충격 눈 및 안면 보호 장비를 착용하십시오.
- 작업 영역에 있는 모든 사람들이 내충격 눈 및 안면 보호 장비를 반드시 착용해야 합니다.
- 연마용 휠이 부서지는 경우 중상이나 사망을 초래할 수 있습니다.

- 회전속도계(타코미터)로 에어 그라인더의 속도를 매일 측정하며 연마용 휠에 표시된 RPM을 초과하지 않게 해주세요.
- 에어 그라인더보다 속도가 낮은 것으로 표시된 그라인더 휠은 절대 사용하지 마십시오.
- 제공된 공구를 사용하여 연마재를 그라인더에 단단히 고정하십시오. 플랜지는 거친 부분 및 균열이 없어야 하며 고정면이 평평해야 합니다. 스펀들 및 스펀들 스투드는 손상되거나 마모되어서는 안 됩니다.
- 작업물이 확실히 고정되어 있는지 확인하십시오.

부속품의 위험

- 부속품 교체 시에는 항상 공기 공급을 끊은 다음 호스에서 공기 압력을 빼고 공기 공급 장치에서 공구를 분리하여야 합니다.
- 권장 크기 및 유형의 연마재만 사용하십시오.
- 부서지거나 갈라지거나 떨어뜨린 적이 있는 휠을 사용하지 마십시오.
- 부서진 휠에 의한 상해를 방지하려면 그라인더 휠을 올바르게 장착해야 합니다.
- UNC 및 미터법 나사의 비호환을 피하십시오.
- 연마용 휠이 스펀들에 여유있게 맞아야만 그 구멍에서의 응력을 방지할 수 있습니다. 구멍이 큰 연마용 휠에 맞출 목적으로 감소용 브러시를 사용하지 마십시오.
- 연마용 휠 장착 시 연삭기와 함께 공급되는 플랜지만 사용하십시오. 평평한 와셔나 다른 어댑터는 휠의 응력을 증가시킬 수 있습니다. 플랜지와 연마용 휠 사이에는 항상 두꺼운 페이퍼 블로터 디스크를 사용하십시오.
- 다양한 크기와 유형의 연마재에 맞출 수 있게 여러 플랜지가 공급되는 경우, 항상 사용되는 연마재에 올바른 플랜지로 맞추십시오.
- 나사 구멍이 있는 컵, 원뿔 또는 플러그를 장착할 때, 스펀들 끝부분이 구멍의 하단에 닿아 연마재에 응력을 가하게 해서는 안 됩니다.
- 휠을 스펀들에 단단히 조여서 공기 연삭기를 켜올 때도 날아가지 않도록 하십시오.
- 그라인더 작업 전에 공구의 스로틀을 완전히 열고 그라인더 휠을 테스트하십시오. 이때 장벽(육중한 작업대 등)을 사용하여 휠 부품 조각이 튀는 경우에 대비하십시오. 진동이 과다하면 즉시 중단해야 합니다.

작업 시 위험

- 작업자와 유지보수 담당자는 공구의 부피와 중량 및 출력력을 육체적으로 감당할 수 있어야 합니다.
- 공구를 올바르게 잡으십시오. 갑작스러운 움직임에 대처할 준비를 하십시오. 두 손을 사용할 수 있어야 합니다.
- 부속품이나 연마 작업 시 발생하는 불꽃 또는 작업물 표면에 신체가 닿으면 베이거나 화상을 입을 수 있습니다. 신체 부위에 닿지 않도록 하고 장갑, 앞치마, 헬멧 등 안전 보호 장비를 착용하십시오.
- 절삭 시 휠이 걸리지 않도록 하십시오. 작업물을 절단 라인의 양쪽에서 지지하여, 휠이 걸리는 것을 방지하십시오. 휠이 걸리는 경우, 스로틀을 놓은 다음 휠을 풀으십시오. 휠의 손상을 점검하고 제대로 고정된 것을 확인한 다음 계속하십시오.

- 절삭용 휠을 측면 연마용으로 절대 사용하지 마십시오.
- 연마 시 발생하는 불꽃으로 인해 의복에 불이 붙어 심각한 화상을 입을 수 있습니다. 불꽃이 의복에 붙지 않도록 항상 경계하십시오. 방화복을 입고 근처에는 물 한 통이를 준비해 두십시오.
- 공구를 플라스틱이나 비도전성 물질에 사용하는 경우 정전기 방전의 위험이 있습니다.
- 회전 방향을 변경하면 반대 방향으로 스파크가 배출됩니다.
- 회전 방향을 변경할 때 작업자에게 반작용력이 가해 집니다.

반복적인 동작의 위험

- 파워 공구를 사용하여 작업 관련 활동을 수행할 때 작업자가 손, 팔, 어깨, 목 또는 기타 신체 부위의 불편감을 경험할 수 있습니다.
- 편안한 자세를 취하되 서 있는 자세를 안정적으로 유지하고 어색하거나 불균형한 자세를 취하지 않아야 합니다. 장시간 작업하는 동안 자세를 바꾸면 불편감과 피로 해소에 도움이 됩니다.
- 불편감, 통증, 욱신거림, 쑤심, 저림, 무감각, 화끈거림 또는 뻣뻣함이 지속되거나 재발되는 등의 증상을 무시하지 마십시오. 이러한 경우, 공구 사용을 중단하고 고용주에게 알린 다음 의사와 상담해야 합니다.

소음 및 진동 위험

- 소음 수준이 높으면 영구적인 청력 손상 및 이명과 같은 기타 문제를 야기할 수 있습니다. 귀하의 고용주나 직업 건강 및 안전 법규가 권장하는 청력 보호 도구를 사용해 주세요.
- 진동에 노출되면 신경 및 손과 팔의 혈액 공급에 심각한 손상을 야기할 수 있습니다. 따뜻한 의복을 착용하고 양손을 따뜻하고 건조하게 유지하십시오. 마비, 저림, 통증 또는 피부 백화 증상이 발생하면, 공구 사용을 중단하고 고용주에게 알린 다음 의사와 상담해 주세요.
- 일반적으로 잡는 힘이 강할수록 진동으로 인한 위험이 커지므로 공구를 잡을 때는 안전하면서도 가볍게 잡아주세요. 가능하면 밸런서로 공구의 무게를 지지해야 합니다.
- 불필요한 소음과 진동의 증가를 방지하는 방법
 - 지침 매뉴얼에 따라 공구를 운영 및 유지보수하고, 부속품과 소모품을 선택, 유지관리, 교체합니다.
 - 감쇠 재료를 사용하여 작업물이 "울리지" 않게 하십시오.

작업장 위험

- 미끄러짐/걸러 넘어짐/추락은 중상이나 사망의 주요 원인입니다. 걸터다니거나 작업하는 장소의 표면에 호스가 남아 있을 수 있으므로 주의하십시오.
- 질병(예: 암, 선천적 결손증, 천식 및/또는 피부염)을 유발할 수 있는 작업 과정에서 발생하는 분진 또는 연무의 흡입이나 부스러기의 취급을 피해야 합니다. 공기 중 입자를 생성하는 재질을 사용하는 작업 시, 분진 추출 장치를 사용하며 호흡 보호구를 착용하십시오.

- 톱질, 연삭, 드릴링 및 기타 건축 활동에 의해 생성되는 일부 분진은, 캘리포니아 주에서 정한 암, 태아 기형 또는 기타 생식 관련 손상을 초래하는 것으로 알려진 화학물질을 함유합니다. 이러한 화학물질의 예는 다음과 같습니다.

- 납 기반 페인트의 납
- 결정성 실리카로 만든 벽돌, 시멘트 및 기타 석재 제품들.
- 화학 처리된 고무의 비소 및 크롬.

이러한 노출에 따른 위험은 이러한 유형의 작업 빈도에 따라 다릅니다. 이러한 화학물질에 대한 노출 감소 방법: 환기가 잘 된 장소에서 작업하며, 미립자를 여과하도록 특별히 설계된 분진 마스크와 같은 승인 받은 안전 장비를 사용하여 작업.

- 익숙하지 않은 환경에서는 주의해서 작업을 진행해 주세요. 전기나 기타 배선과 같은 보이지 않은 위험이 있을 수 있습니다.
- 샌딩이나 연삭에 의해 발생하는 분진이나 연무는 폭발 환경을 초래할 수 있습니다. 처리 대상의 물질에 적절한 분진 추출 혹은 억제 장치를 사용하십시오.
- 이 공구는 폭발 가능성이 있는 대기에서의 사용을 위한 것이 아니며, 전원과 접촉 시 절연되어 있지 않습니다.

유용한 정보

원산지 국가

Taiwan

웹사이트

제품, 부속품, 예비 부품 및 게시된 사안에 관한 정보는 Rodcraft 웹 사이트에서 찾을 수 있습니다.

다음 자료 및 웹 사이트를 참조해 주세요.

www.rodcraft.com.

안전 데이터 시트

안전 데이터 시트는 Rodcraft가 판매하는 화학 제품을 설명합니다.

자세한 정보는 Rodcraft 웹사이트 qr.cp.com/sds을 참조하십시오.

저작권

© Copyright 2023, Desoutter GmbH, Edmund-Seng-Str. 3-5, 63477 Maintal, Germany

모든 권리 보유. 본 문서의 내용 또는 내용의 일부에 대한 비 승인된 모든 사용 또는 복사 행위는 엄격히 금지됩니다. 이는 특히, 상표, 모델 명칭, 부품 번호 및 도면에 적용됩니다. 승인된 부품만 사용하십시오. 비 인가된 부품을 사용함으로써 인해 발생하는 모든 손상 또는 고장은 보증 또는 생산물 책임 범위에 포함되지 않습니다.

Original instructions
Traduction de la notice originale
Übersetzung der Originalbetriebsanleitung
Traducción de las instrucciones originales
Tradução das instruções originais
Traduzione delle istruzioni originali
Vertaling van oorspronkelijke instructies
Oversættelse af originalvejledning
Oversættelse av originalinstruksjoner.
Käännös alkuperäisistä ohjeista
Μετάφραση πρωτότυπων οδηγιών
Översättning av ursprungliga instruktioner
Перевод оригиналов инструкций
Tłumaczenie oryginalnej instrukcji

Preklad originálnych pokynov
Překlad původních pokynů
Eredeti utasítások fordítása
Prevod izvirnih navodil
Traducerea instrucțiunilor originale
Orijinal talimatların çevirisi
Превод на оригиналните инструкции
Prijevod originalnih uputa
Originalių instrukcijų vertimas
Originālo instrukciju tulkojums
原始说明的翻译
使用說明書初出翻譯
원본 설명서의 번역문

www.rodcraft.com

RC **RODCRAFT**®

